



Chipsmall Limited consists of a professional team with an average of over 10 year of expertise in the distribution of electronic components. Based in Hongkong, we have already established firm and mutual-benefit business relationships with customers from,Europe,America and south Asia,supplying obsolete and hard-to-find components to meet their specific needs.

With the principle of “Quality Parts,Customers Priority,Honest Operation,and Considerate Service”,our business mainly focus on the distribution of electronic components. Line cards we deal with include Microchip,ALPS,ROHM,Xilinx,Pulse,ON,Everlight and Freescale. Main products comprise IC,Modules,Potentiometer,IC Socket,Relay,Connector.Our parts cover such applications as commercial,industrial, and automotives areas.

We are looking forward to setting up business relationship with you and hope to provide you with the best service and solution. Let us make a better world for our industry!



Contact us

Tel: +86-755-8981 8866 Fax: +86-755-8427 6832

Email & Skype: info@chipsmall.com Web: www.chipsmall.com

Address: A1208, Overseas Decoration Building, #122 Zhenhua RD., Futian, Shenzhen, China



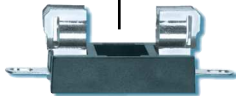
647 Series Molded Fuse Holder For 5×20mm Fuses



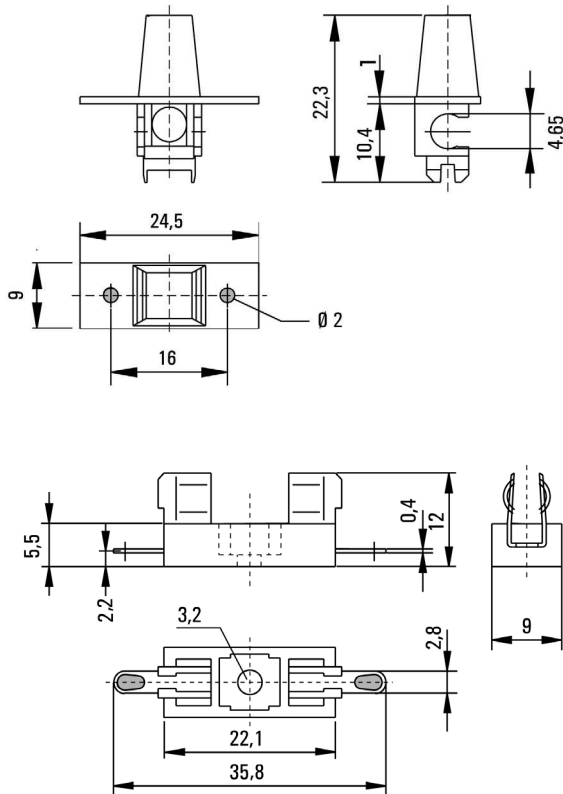
**640 Adapter
(Optional Adapter)**



647 Series Holder



Dimensions



Product Characteristics

Compatible Fuse Sizes	5×20mm
Materials	Holder: Black Thermoplastic, UL94 V-0 Polyamide PA 6.6
	Adapter: Polyester PBT, UL94 V-0
	Metal Parts: Tin plated copper alloy
Electrical Data (23°C)	Rated Voltage: 250V
	Max. Current/Power: 6.3A/2.5W 6.3A/1.6W (with No. 640)
Mounting	Ø 3mm screw hole Hand adapter can be optionally used with Holder No. 646 and 647
Terminals	Solderable or 2.8mm quick connect - fits 0.5mm tabs
Minimum Cross Section	Conducting path - 2.5mm ²
Unit Weight	1.7g (Holder), 1.0g (Adapter)

Ordering Information

Ordering PN	Description
647 0000 1001	647 5×20mm 250V Cable Type Fuse Block
640 0000 1003	Adapter - Black
640 0000 1403	Adapter - Brown
640 0000 1503	Adapter - White
640 0000 1603	Adapter - Yellow
640 0000 1703	Adapter - Green
640 0000 1903	Adapter - Blue
640 0000 1101	Adapter - Purple
640 0000 1201	Adapter - Orange
640 0000 1801	Adapter - Red

Additional Information



Datasheet



Resources



Samples