



Chipsmall Limited consists of a professional team with an average of over 10 year of expertise in the distribution of electronic components. Based in Hongkong, we have already established firm and mutual-benefit business relationships with customers from,Europe,America and south Asia,supplying obsolete and hard-to-find components to meet their specific needs.

With the principle of “Quality Parts,Customers Priority,Honest Operation,and Considerate Service”,our business mainly focus on the distribution of electronic components. Line cards we deal with include Microchip,ALPS,ROHM,Xilinx,Pulse,ON,Everlight and Freescale. Main products comprise IC,Modules,Potentiometer,IC Socket,Relay,Connector.Our parts cover such applications as commercial,industrial, and automotives areas.

We are looking forward to setting up business relationship with you and hope to provide you with the best service and solution. Let us make a better world for our industry!



Contact us

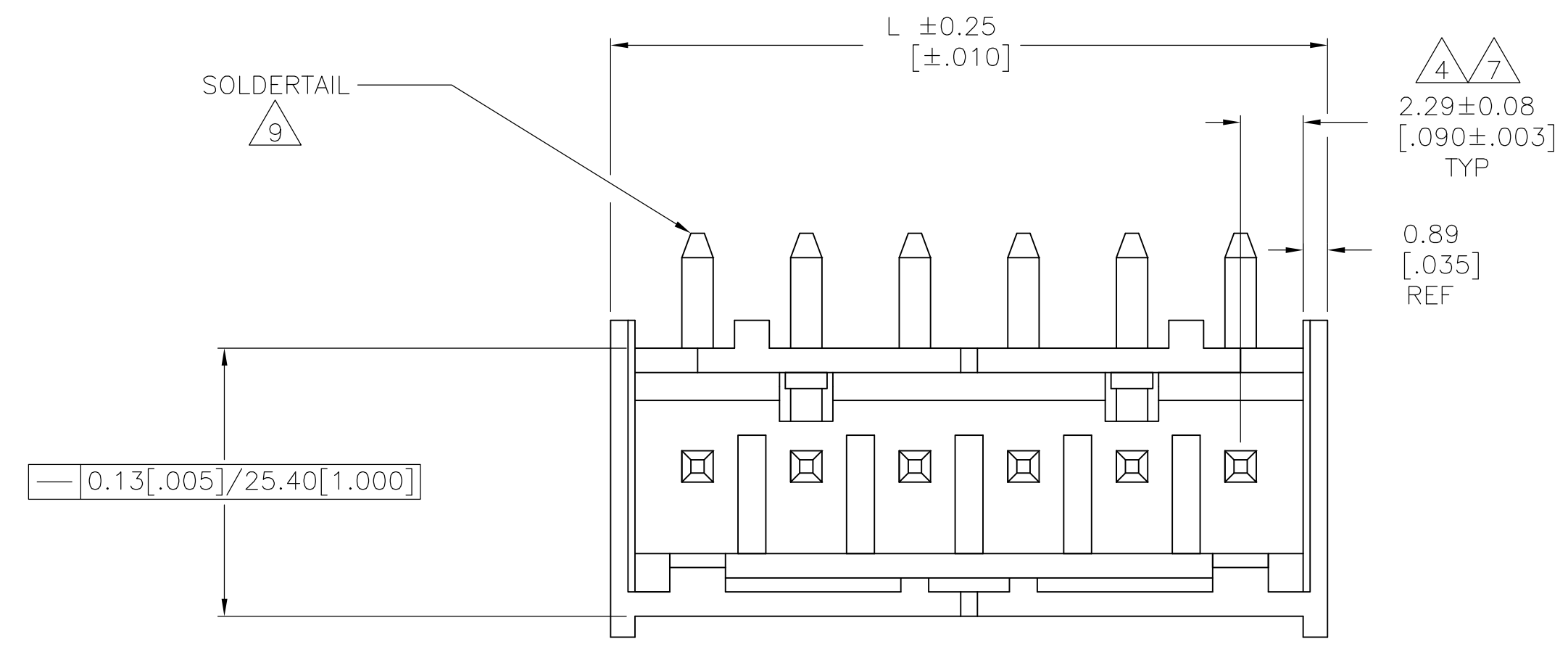
Tel: +86-755-8981 8866 Fax: +86-755-8427 6832

Email & Skype: info@chipsmall.com Web: www.chipsmall.com

Address: A1208, Overseas Decoration Building, #122 Zhenhua RD., Futian, Shenzhen, China



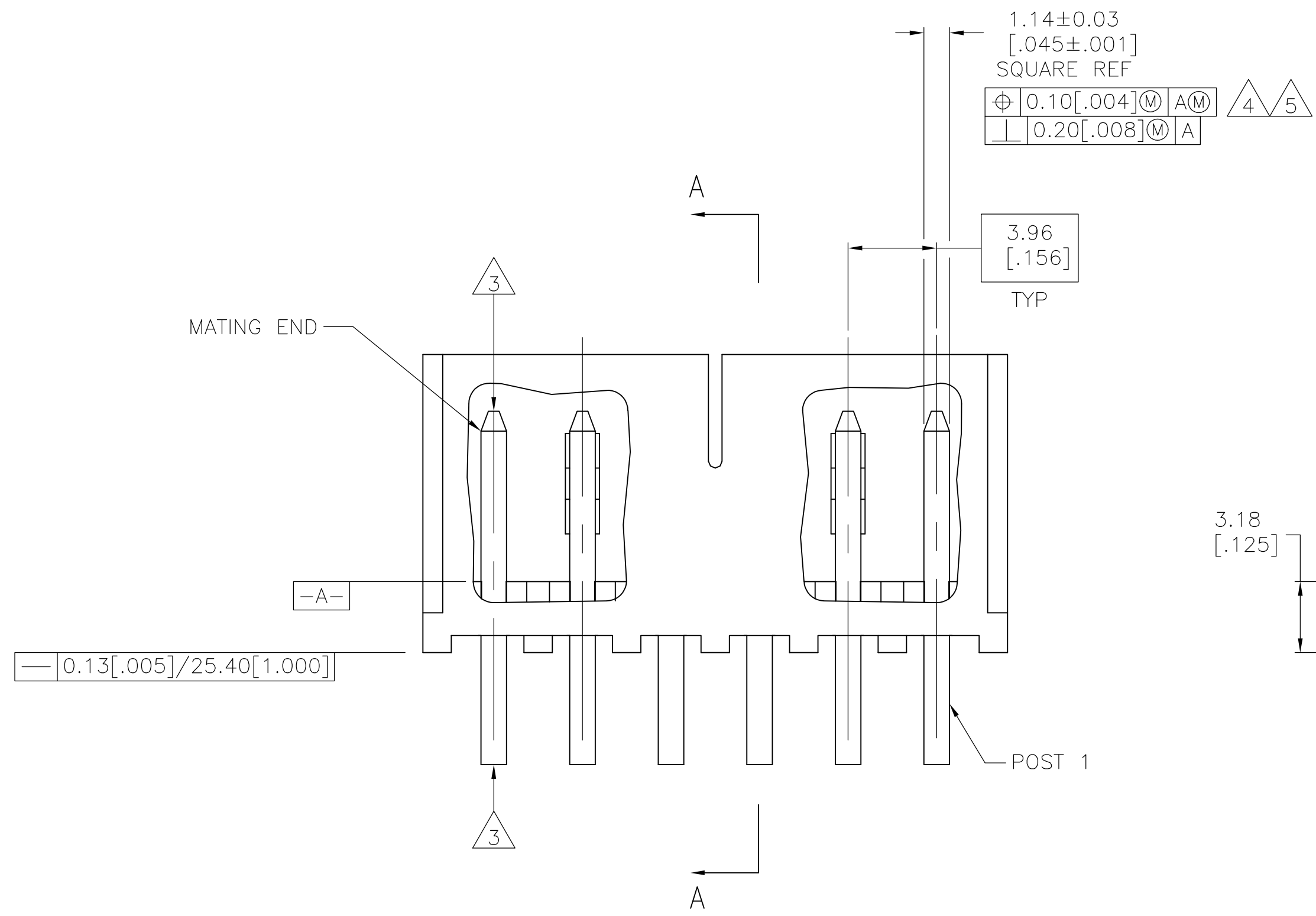
LOC		DIST		REVISIONS			
P	LTR	DESCRIPTION	DATE	DMN	APVD		
D		EC 0038 1113 04	29DEC05	BSV	DB		
D1		REVISED PER ECO-09-021510	14SEP09	KK	AEG		



4 7
 2.29±0.08
 [.090±.003]
 TYP

0.89
 [.035]
 REF

0.13[.005]/25.40[1.000]

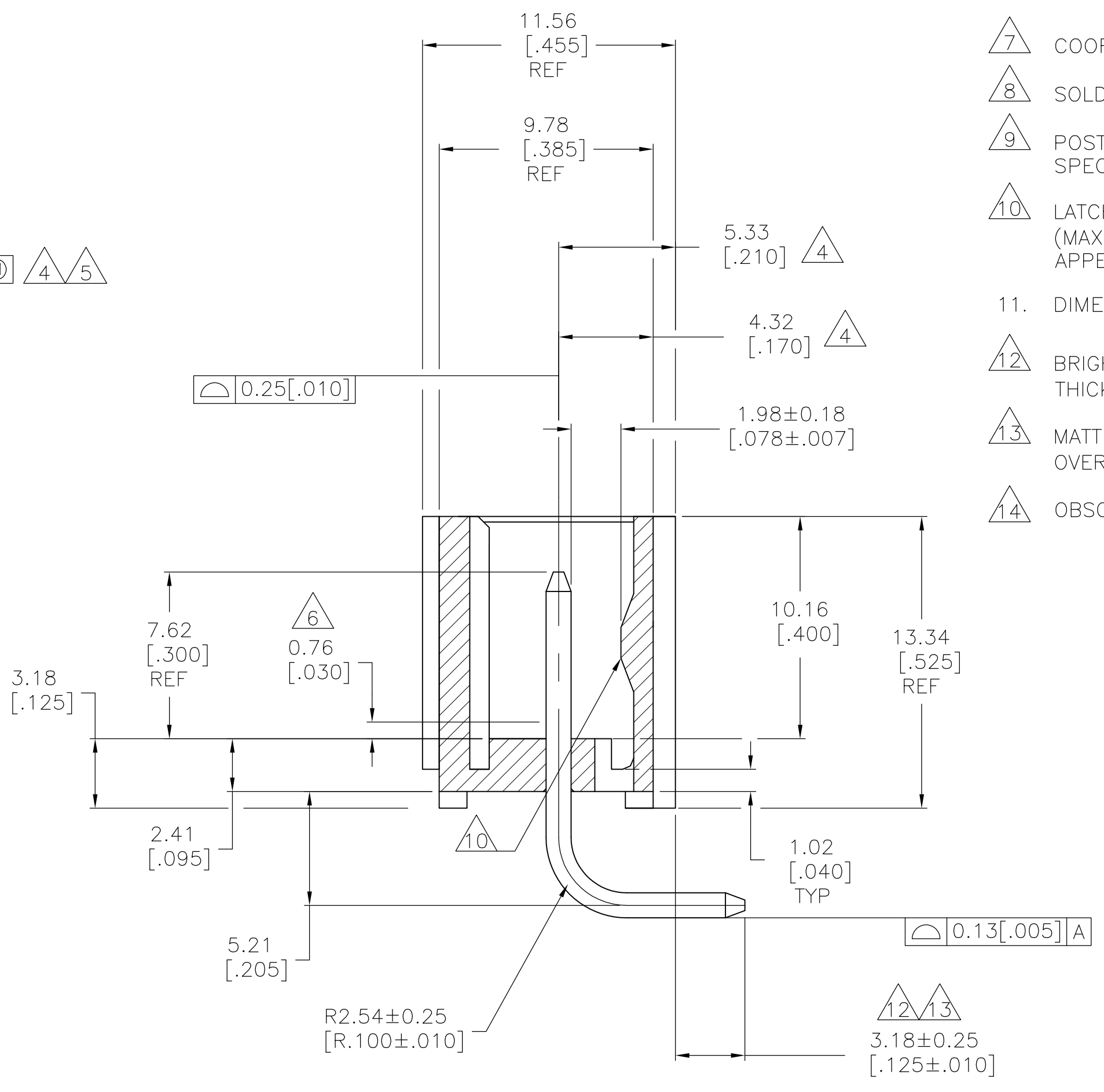


1.14±0.03
 [.045±.001]
 SQUARE REF

4 5
 0.10[.004] M A M
 0.20[.008] M A

3.96
 [.156]
 TYP

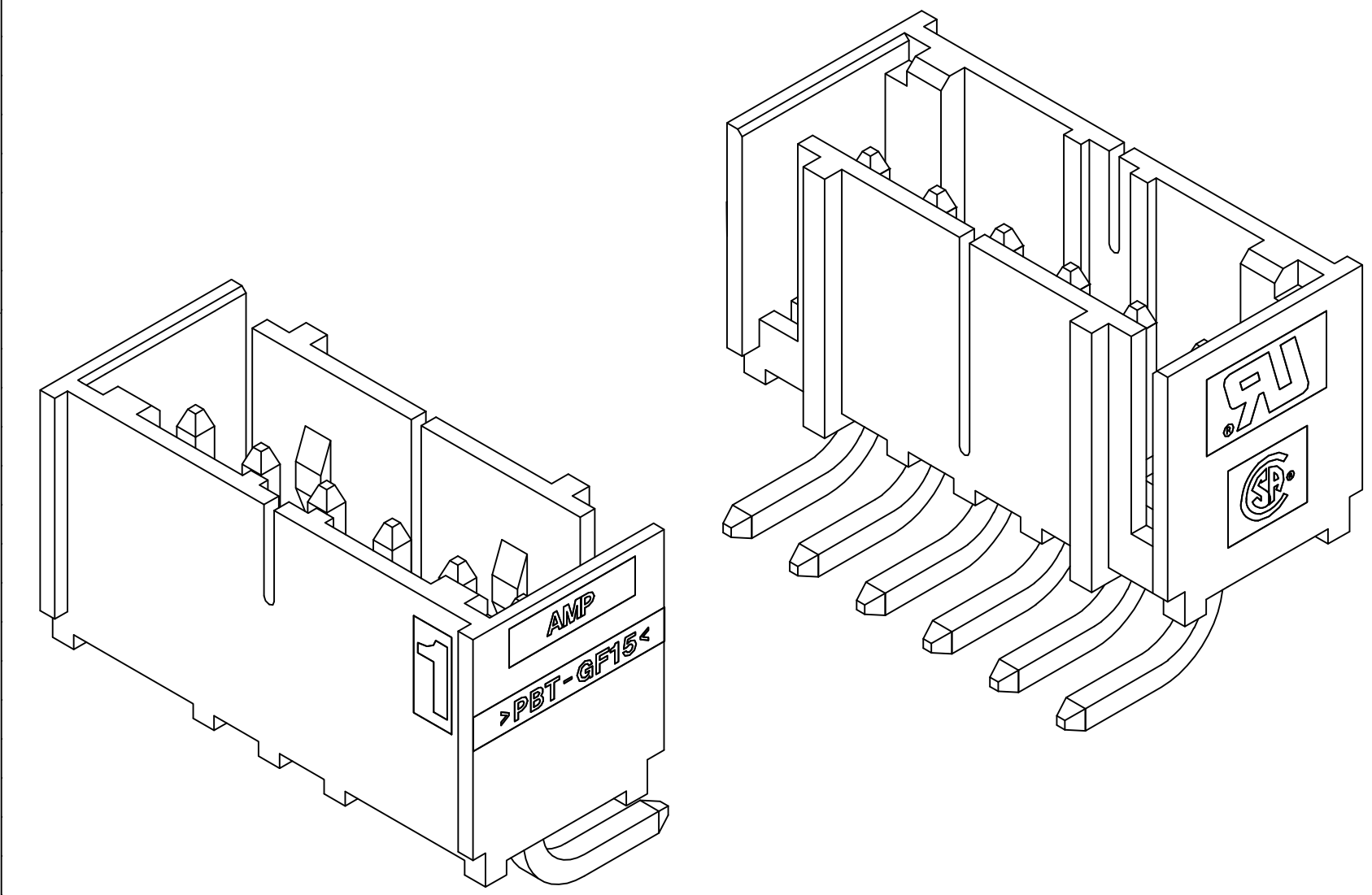
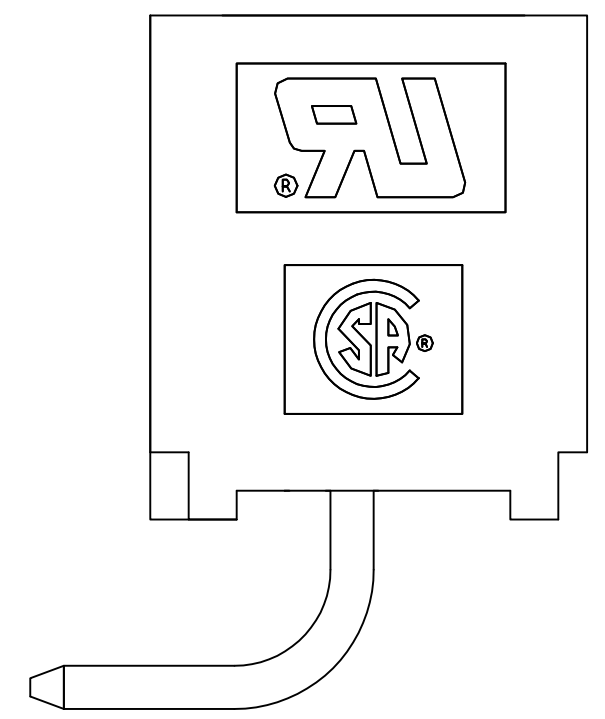
0.13[.005]/25.40[1.000]



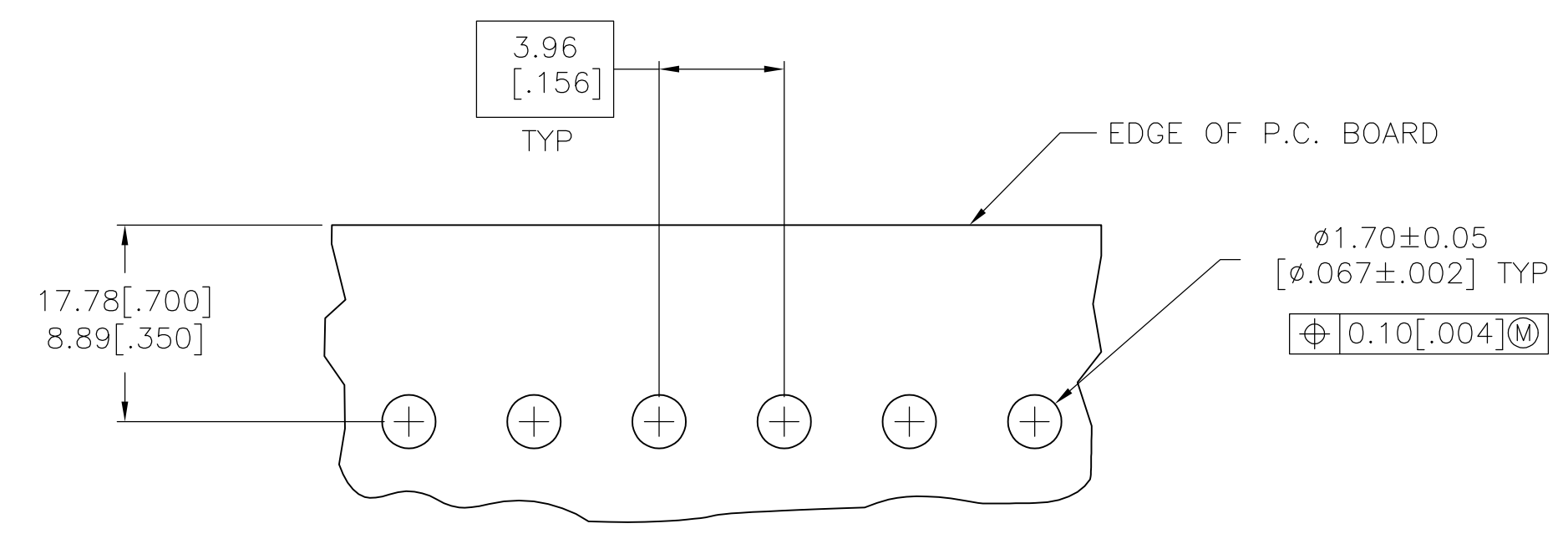
SECTION A-A

647126-6 SHOWN

- 1 MATERIAL:
HOUSING - THERMOPLASTIC POLYESTER, GLASS FILLED, UL94-0.
POST - COPPER ALLOY
- 2 FINISH:
HOUSING - BLACK
POST - SEE NOTES 12 AND 13.
- 3 POST TO WITHSTAND 3LBS. (16N) MIN AXIAL FORCE IN THIS DIRECTION WITHOUT DISLODGING.
- 4 APPLIES AT -A- .
- 5 APPLIES WHEN HEADER IS STRAIGHT .
- 6 PLASTIC PROJECTIONS PERMITTED IN THIS ZONE.
- 7 COORDINATE DIMENSIONS APPLIES FROM CENTER OF ACTUAL FEATURE.
- 8 SOLDER SIDE OF BOARD IS SHOWN.
- 9 POST SOLDERTAIL MUST COMPLY WITH AMP SOLDERABILITY SPEC 109-11-2.
- 10 LATCH DETENT FEATURE APPEARS 1 PLACE ON EACH END OF PART (MAX OF 2 PER PART) ON ALL POSITIONS 4 THRU 12. THE LATCH APPEARS ONLY ONE PLACE ON 2 & 3 POSITION PARTS.
- 11. DIMENSIONS IN BRACKETS ARE IN INCHES.
- 12 BRIGHT TIN LEAD (93/7) PLATE 0.00381 - 0.00889 [.000150 - .000350] THICK, OVER NICKEL UNDERPLATE 0.00127 [.000050] MIN THICK.
- 13 MATTE TIN PLATE 0.00381 - 0.00889 [.000150 - .000350] THICK, OVER NICKEL UNDERPLATE 0.00127 [.000050] MIN THICK.
- 14 OBSOLETE PARTS: OBSOLETE CIS STREAMLINING PER D.RENAUD/D.SINISI

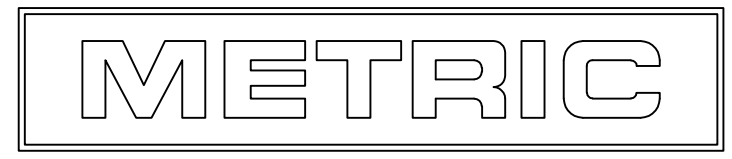


3-DIMENSIONAL MODEL NTS



RECOMMENDED MOUNTING HOLE PATTERN FOR 1.57[.062] THICK P.C. BOARD

PLATING	MM	IN	NO. OF POSN	PART NUMBER	
					L
SUPERSEDED	49.94	1.966	12	3-647126-2	
	45.97	1.810	11	3-647126-1	
	42.01	1.654	10	3-647126-0	
	38.05	1.498	9	2-647126-9	
	34.09	1.342	8	2-647126-8	
	30.12	1.186	7	2-647126-7	
	26.16	1.030	6	2-647126-6	
	22.20	.874	5	2-647126-5	
	18.24	.718	4	2-647126-4	
	14.27	.562	3	2-647126-3	
	10.31	.406	2	2-647126-2	
	SUPERSEDED	49.94	1.966	12	1-647126-2
		45.97	1.810	11	1-647126-1
42.01		1.654	10	1-647126-0	
38.05		1.498	9	647126-9	
34.09		1.342	8	647126-8	
30.12		1.186	7	647126-7	
	26.16	1.030	6	647126-6	
	22.20	.874	5	647126-5	
	18.24	.718	4	647126-4	
	14.27	.562	3	647126-3	
	10.31	.406	2	647126-2	



THIS DRAWING IS A CONTROLLED DOCUMENT.

DIMENSIONS: mm [INCHES]	TOLERANCES UNLESS OTHERWISE SPECIFIED:	DIN B. LEWIS 17JUN98	Tyco Electronics Corporation Harrisburg, PA 17105-3608
0. PLC ± -	1. PLC ± -	DRK R. SWING 17JUN98	NAME: MTA-156 SHROUDED HEADER ASSEMBLY, RIGHT ANGLE REAR BEND .045 SQUARE POST, TIN, W/O RETENTION PEG
2. PLC ± -	3. PLC ± .005	APVD D. CLARK 17JUN98	APPLICATION SPEC
4. PLC ± -	ANGLES ± -	SIZE CAGE CODE DRAWING NO	RESTRICTED TO
MATERIAL	FINISH	WEIGHT	A1 00779 C=647126
CUSTOMER DRAWING		SCALE 5:1	SHEET 1 OF 1 REV D1