



Chipsmall Limited consists of a professional team with an average of over 10 year of expertise in the distribution of electronic components. Based in Hongkong, we have already established firm and mutual-benefit business relationships with customers from,Europe,America and south Asia,supplying obsolete and hard-to-find components to meet their specific needs.

With the principle of “Quality Parts,Customers Priority,Honest Operation,and Considerate Service”,our business mainly focus on the distribution of electronic components. Line cards we deal with include Microchip,ALPS,ROHM,Xilinx,Pulse,ON,Everlight and Freescale. Main products comprise IC,Modules,Potentiometer,IC Socket,Relay,Connector.Our parts cover such applications as commercial,industrial, and automotives areas.

We are looking forward to setting up business relationship with you and hope to provide you with the best service and solution. Let us make a better world for our industry!



Contact us

Tel: +86-755-8981 8866 Fax: +86-755-8427 6832

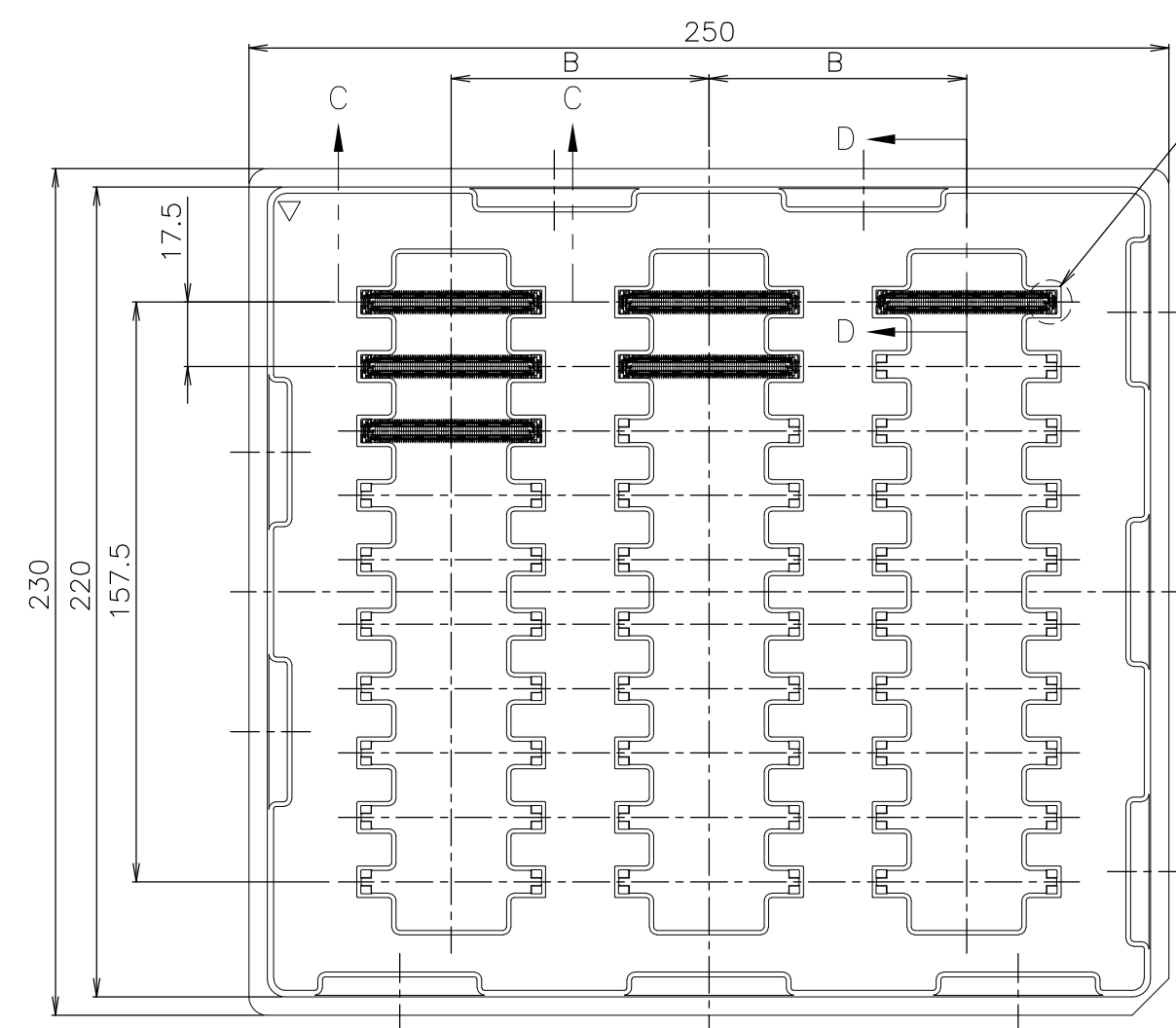
Email & Skype: info@chipsmall.com Web: www.chipsmall.com

Address: A1208, Overseas Decoration Building, #122 Zhenhua RD., Futian, Shenzhen, China

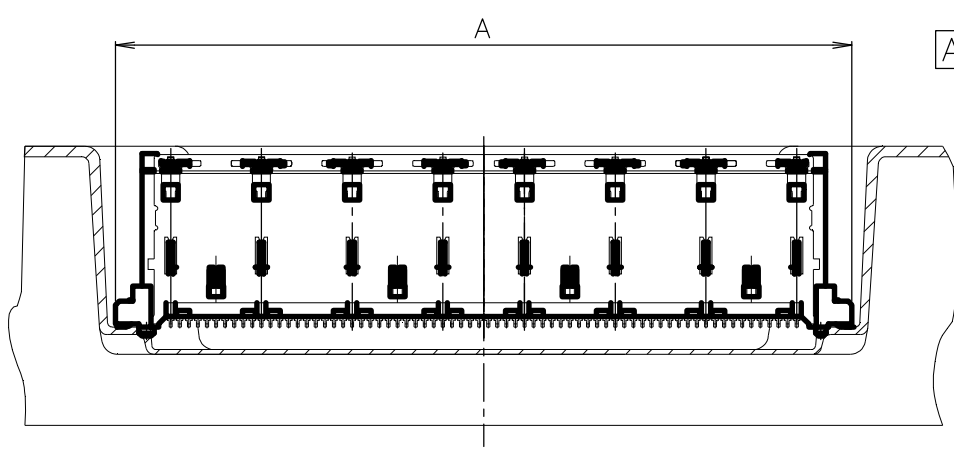


THIS DRAWING IS UNPUBLISHED. RELEASED FOR PUBLICATION - ,2000.
 © COPYRIGHT 2000 BY TYCO ELECTRONICS CORPORATION. ALL RIGHTS RESERVED.

LOC	DIST	REVISIONS			DATE	DWN	APVD
J		P	LTR	DESCRIPTION			
		A	REVISED	ECR-08-000339	01FEB08	T.T	T.F

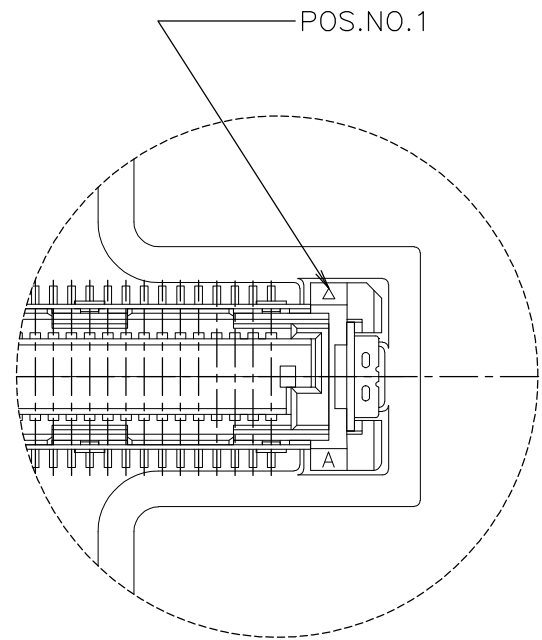
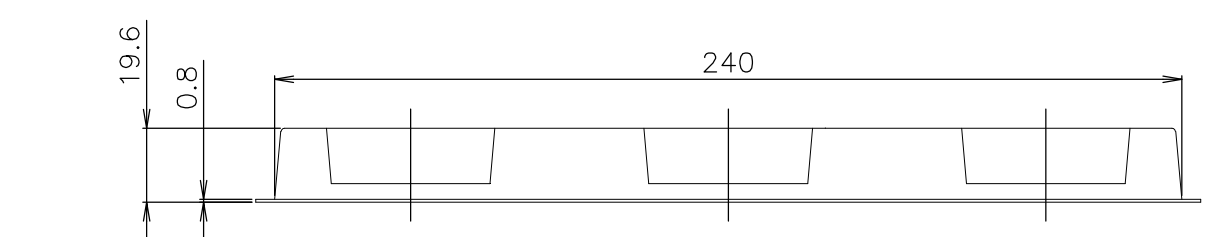


SEE DETAIL E

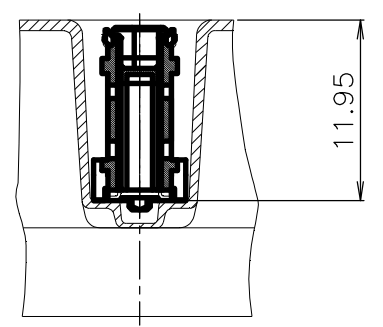


AS SHOWN:TYPE-1

C-C
(SCALE 2:1)

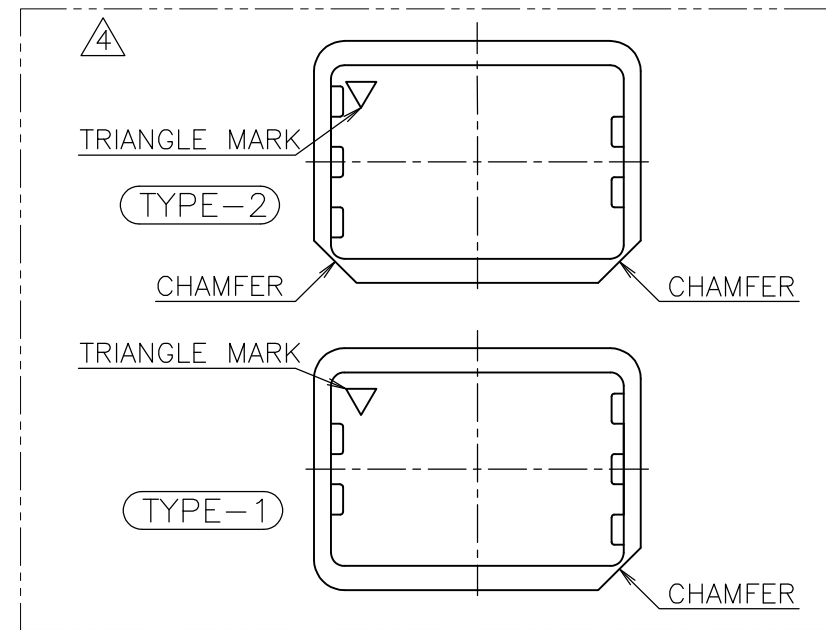


DETAIL E
(SCALE 4:1)



D-D
(SCALE 2:1)

△ TRAY TYPE-1 AND TYPE-2 MUST BE
 PILED UP BY TURNS.
 (REFER TO PACKING SPECIFICATIONS)



NON SEALANT	AVAILABLE	3	30	70	48.7	140	1-912071-9	6473225-1
SEALANT	TOOLING STATUS	LOW	QTY	B	A	POS.	TRAY P/N	PART NO.

THIS DRAWING IS A CONTROLLED DOCUMENT.		DWN	WENKE HE	12JUN05	Tyco Electronics Corporation Kawasaki, Japan			
DIMENSIONS: XM? ? mm		CHK	GAVIN ZHANG	12JUN05				
TOLERANCES UNLESS OTHERWISE SPECIFIED: mm		APVD	STEVEN YAO	12JUN05	NAME	?		
0 PLC ± -		PRODUCT SPEC		108-60047		SOFT TRAY ASSY		
1 PLC ± -		APPLICATION SPEC		114-5255		FH 0.6BTB CONNECTOR		
2 PLC ± -		WEIGHT		A300779		PLUG 12H W/G-PLATE		
3 PLC ± -		SIZE		A300779		RESTRICTED TO		
4 PLC ± -		CAGE CODE		G-6473225		SCALE		
ANGLES ± -		DRAWING NO		G-6473225		1:2		
FINISH □		SHEET		1 OF 2		REV		
MATERIAL P?		CUSTOMER DRAWING		SCALE		A		

GENERAL TOLERANCE
 一般公差
 10 ≥ ±0.2
 30 ≥ >10: ±0.25
 100 ≥ >30: ±0.3
 ANGLES: ±3°

