



Chipsmall Limited consists of a professional team with an average of over 10 year of expertise in the distribution of electronic components. Based in Hongkong, we have already established firm and mutual-benefit business relationships with customers from,Europe,America and south Asia,supplying obsolete and hard-to-find components to meet their specific needs.

With the principle of “Quality Parts,Customers Priority,Honest Operation,and Considerate Service”,our business mainly focus on the distribution of electronic components. Line cards we deal with include Microchip,ALPS,ROHM,Xilinx,Pulse,ON,Everlight and Freescale. Main products comprise IC,Modules,Potentiometer,IC Socket,Relay,Connector.Our parts cover such applications as commercial,industrial, and automotives areas.

We are looking forward to setting up business relationship with you and hope to provide you with the best service and solution. Let us make a better world for our industry!



## Contact us

Tel: +86-755-8981 8866 Fax: +86-755-8427 6832

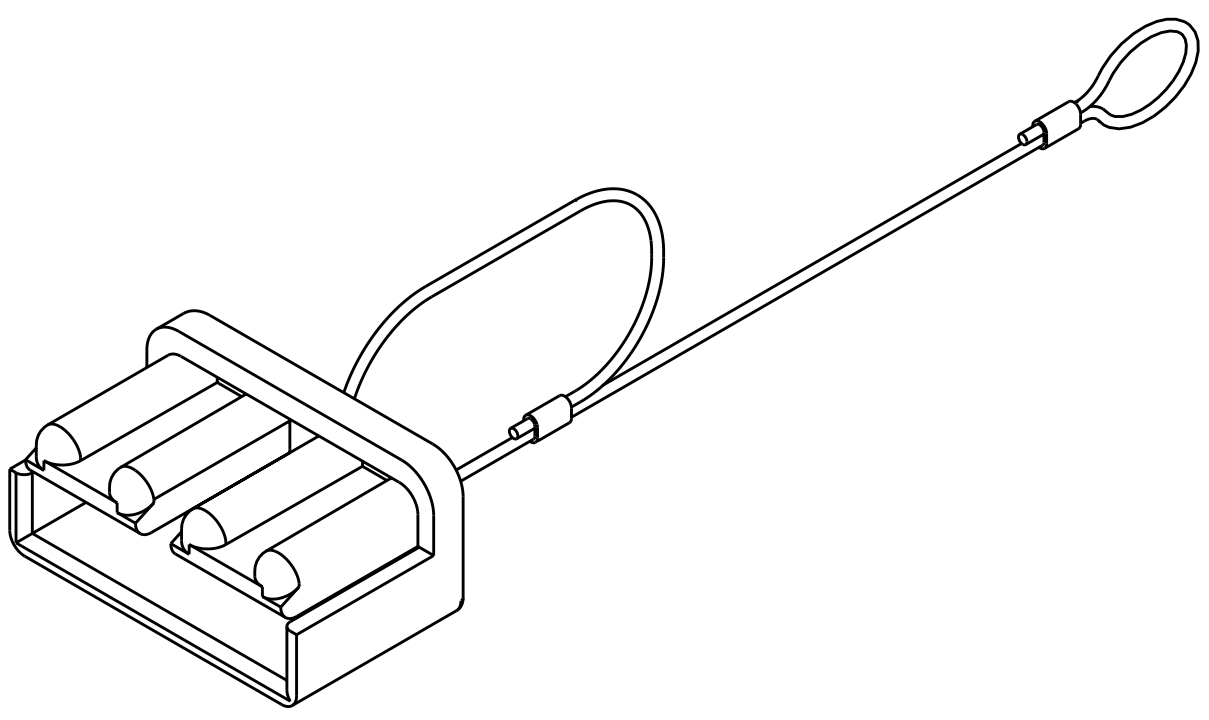
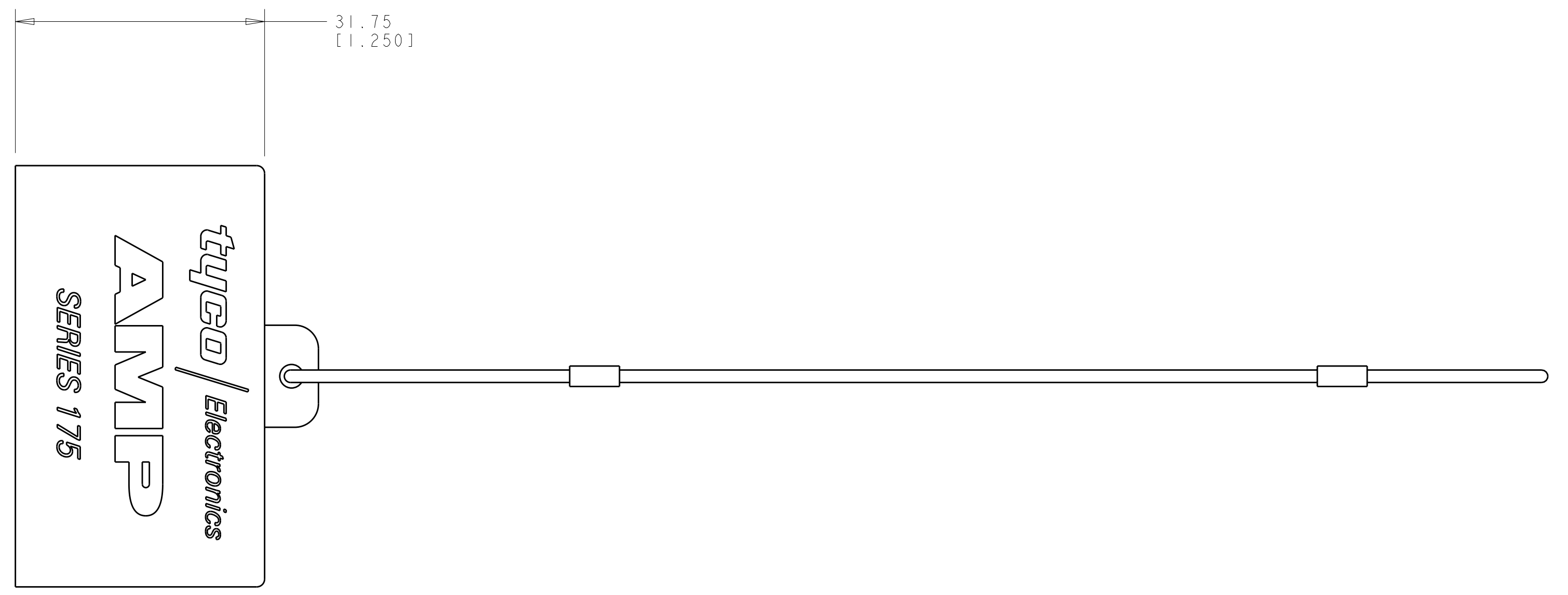
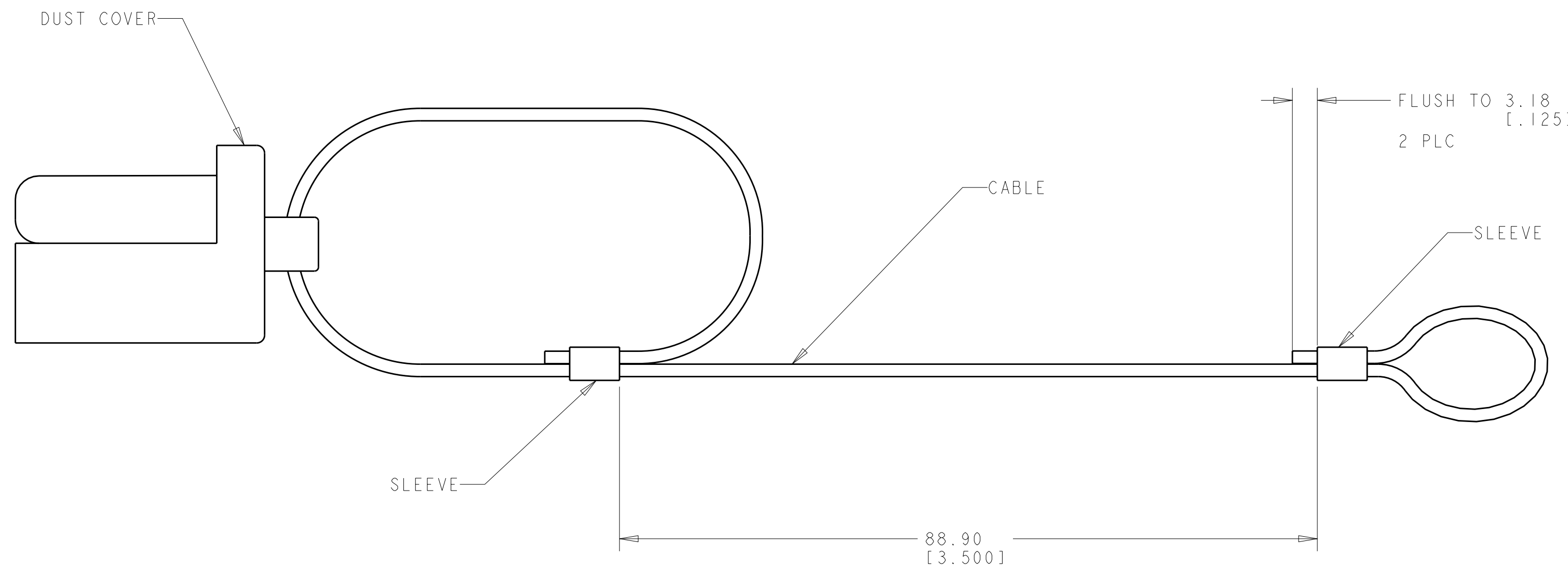
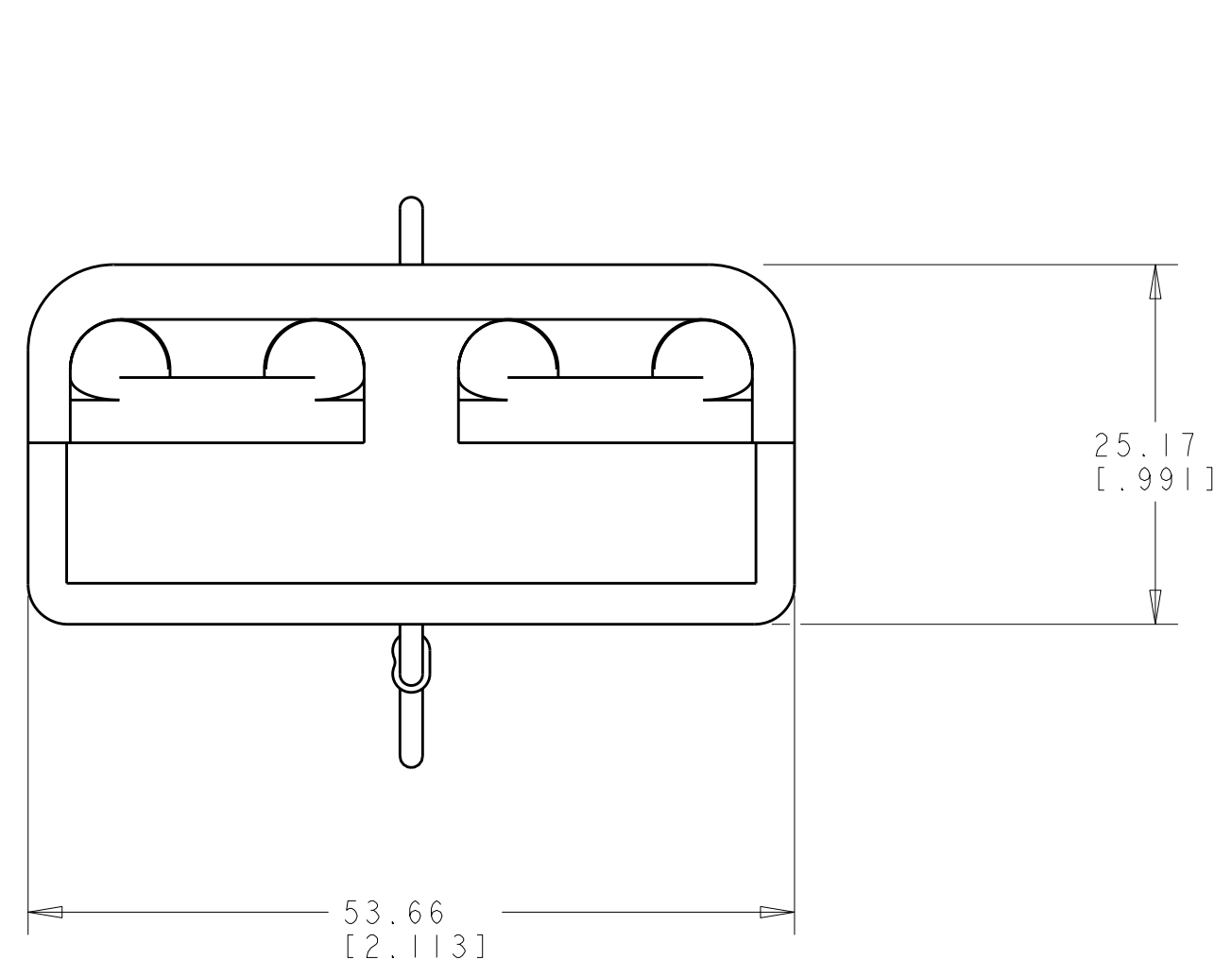
Email & Skype: info@chipsmall.com Web: www.chipsmall.com

Address: A1208, Overseas Decoration Building, #122 Zhenhua RD., Futian, Shenzhen, China



LOC		DIST		REVISIONS			
CM	00	P	LTB	DESCRIPTION	DATE	DWN	APVD
		01		REV PER ECO 09-025493	16NOV09	JR	MS

1. DIMENSIONS IN BRACKETS ARE IN INCHES.  
 2. MATERIAL - DUST COVER: BLACK ASA  
 CABLE: 1.588 [.0625] FINISHED OD VINYL  
 COATED CABLE, 266.7 [10.50] LONG  
 SLEEVE: 1.588 [.0625] ALUMINUM OVAL



3 DIMENSIONAL VIEW  
 SCALE 1:1

647691-1  
 PART NUMBER



<small>THIS DRAWING IS UNPUBLISHED. RELEASED FOR PUBLICATION BY TYCO ELECTRONICS CORPORATION. ALL RIGHTS RESERVED.</small>		DWN: R. WHITAKER 31 JUL 2003 CHK: J. ELLIS 31 JUL 2003 APVD: J. ELLIS 31 JUL 2003	Tyco Electronics Harrisburg, PA 17105-3608
DIMENSIONS: mm [ INCHES ]	TOLERANCES UNLESS OTHERWISE SPECIFIED: 9 PLC ± 1 PLC ± 2 PLC ±0.2 [ .125 ] 3 PLC ± 4 PLC ± ANGLES ±40° 30'	NAME: DUST COVER ASSEMBLY, AMP POWER SERIES 175 PRODUCT SPEC: APPLICATION SPEC: WEIGHT:	SIZE: A1 CAGE CODE: 00779 DRAWING NO: C-647691 RESTRICTED TO:
MATERIAL:		FINISH:	CUSTOMER DRAWING SCALE: 2:1 SHEET: 1 OF 1 REV: 01