



Chipsmall Limited consists of a professional team with an average of over 10 year of expertise in the distribution of electronic components. Based in Hongkong, we have already established firm and mutual-benefit business relationships with customers from,Europe,America and south Asia,supplying obsolete and hard-to-find components to meet their specific needs.

With the principle of “Quality Parts,Customers Priority,Honest Operation,and Considerate Service”,our business mainly focus on the distribution of electronic components. Line cards we deal with include Microchip,ALPS,ROHM,Xilinx,Pulse,ON,Everlight and Freescale. Main products comprise IC,Modules,Potentiometer,IC Socket,Relay,Connector.Our parts cover such applications as commercial,industrial, and automotives areas.

We are looking forward to setting up business relationship with you and hope to provide you with the best service and solution. Let us make a better world for our industry!



Contact us

Tel: +86-755-8981 8866 Fax: +86-755-8427 6832

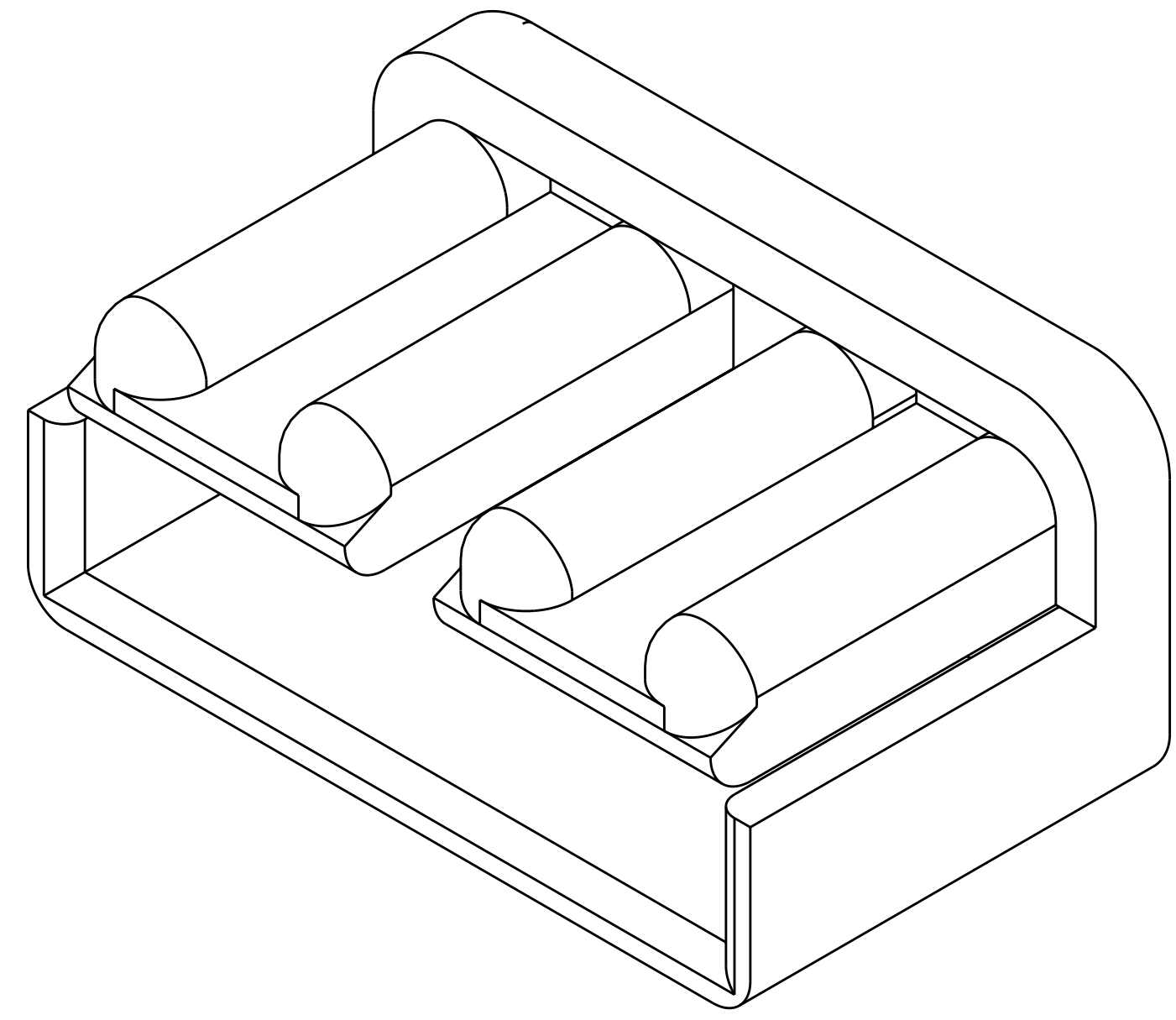
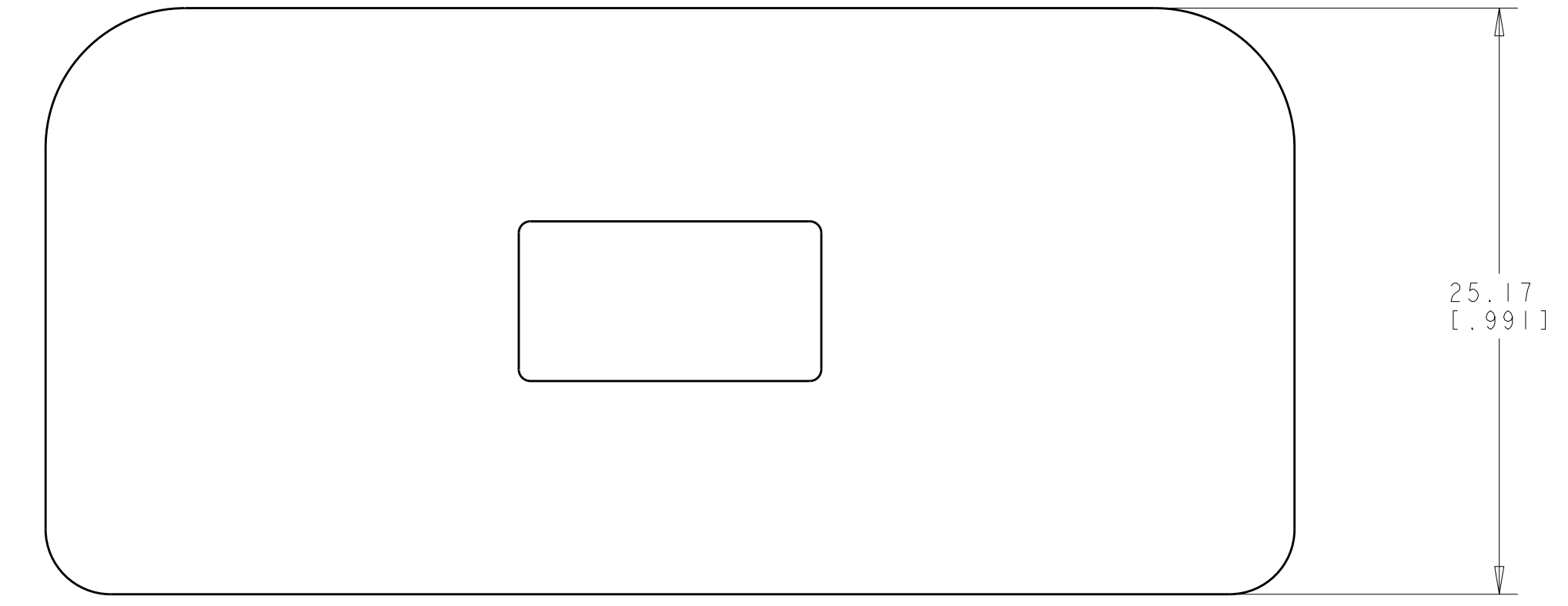
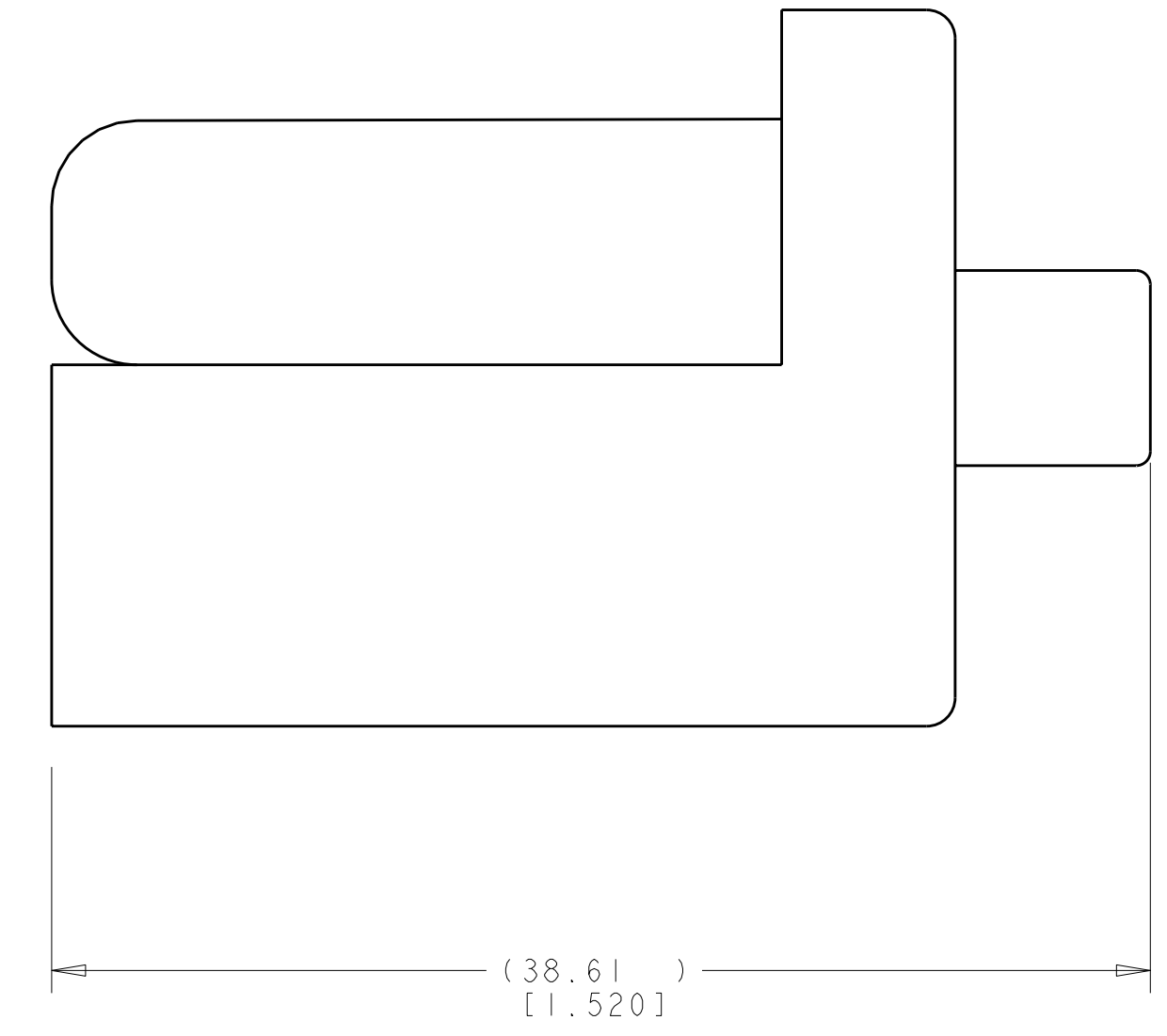
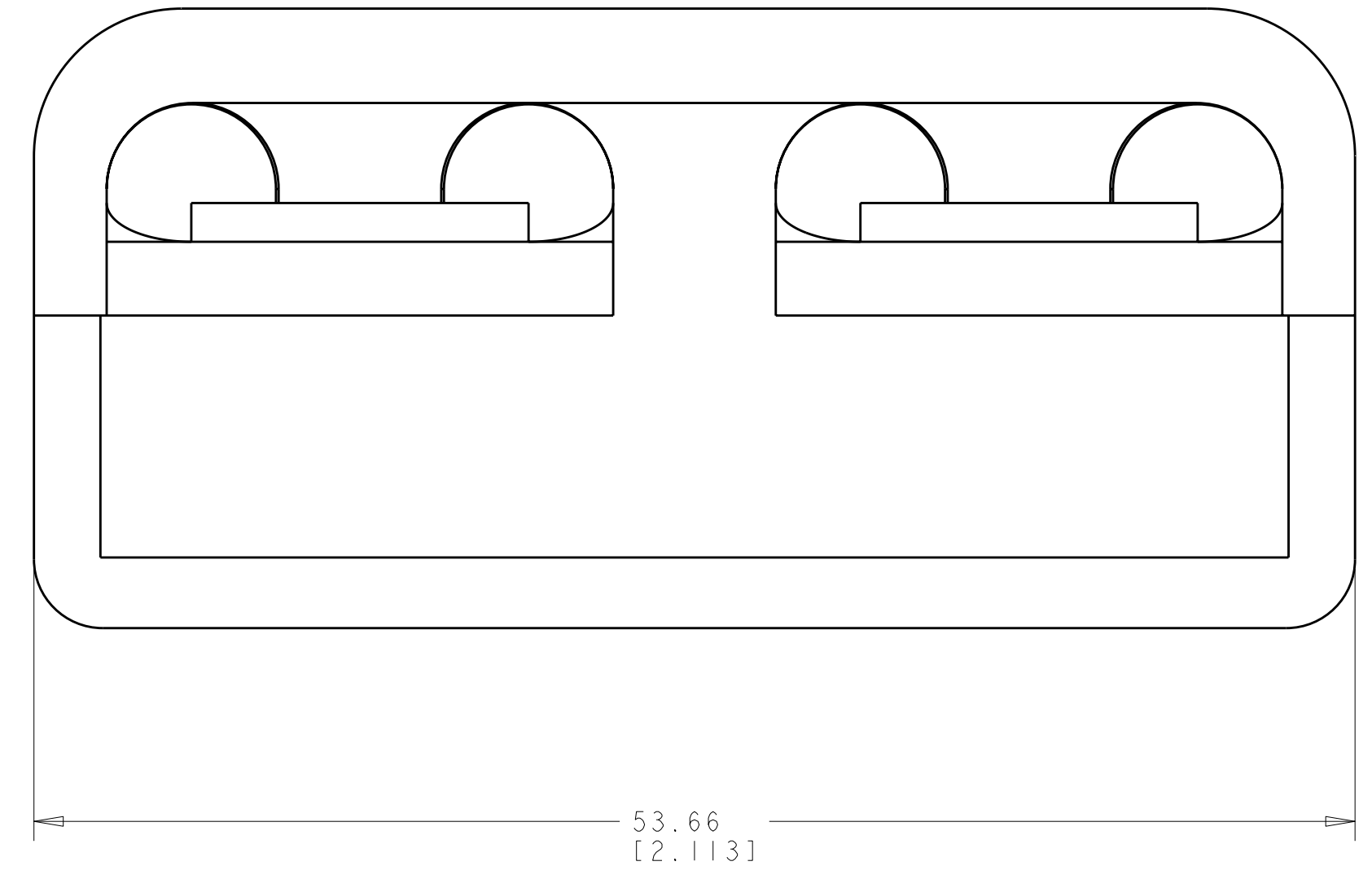
Email & Skype: info@chipsmall.com Web: www.chipsmall.com

Address: A1208, Overseas Decoration Building, #122 Zhenhua RD., Futian, Shenzhen, China

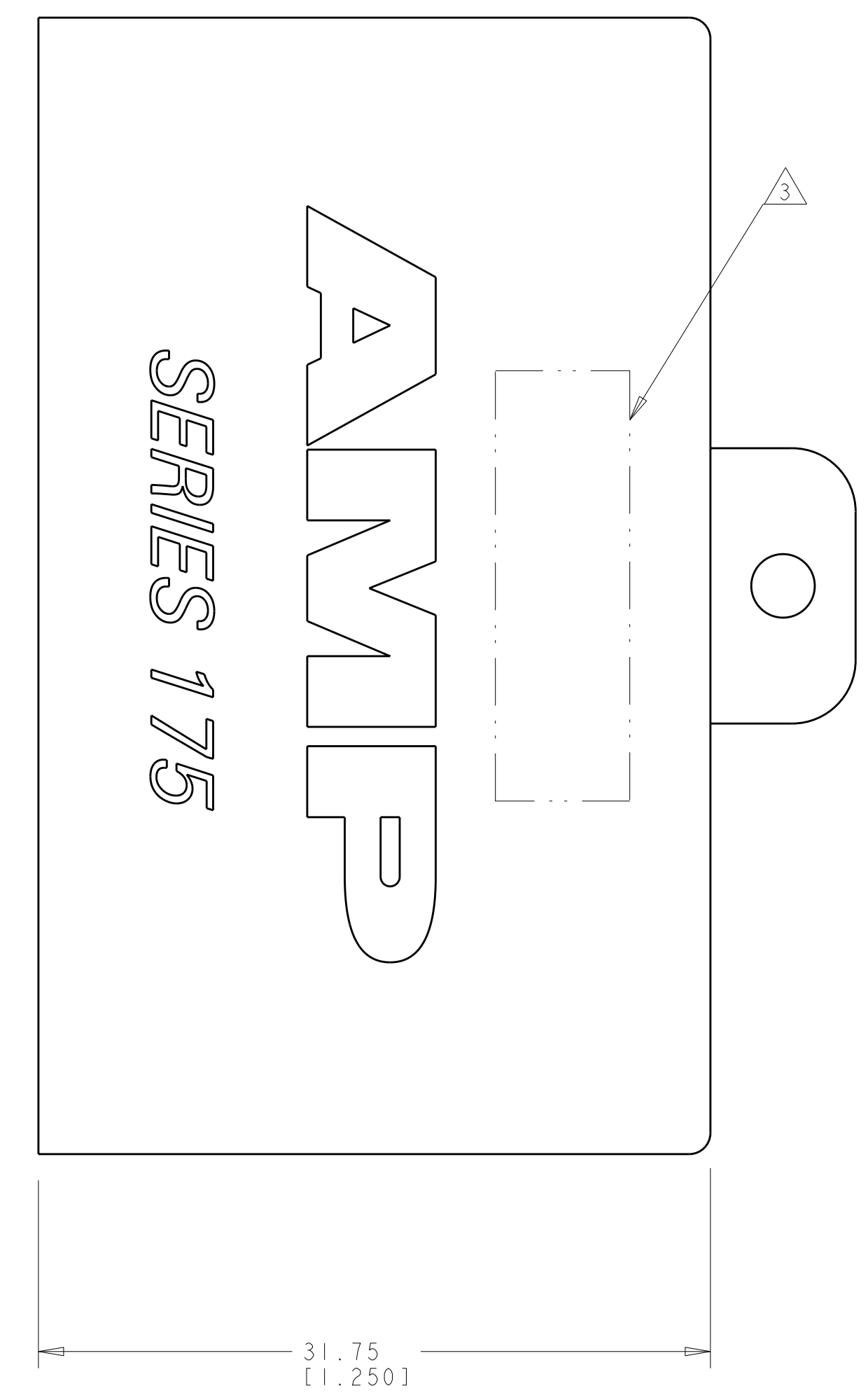


LOC	DIST	REVISIONS			
CM	00	REV	DATE	BY	APPD
		A	03JUN2011	HMR	DY

- 1. DIMENSIONS IN BRACKETS ARE IN INCHES.
- 2. MATERIAL: BLACK ASA.
- 3. TE OR TE CONNECTIVITY LOGO LOCATED APPROX IN THIS AREA.



SCALE 3:1



1.091 INCH ³	647692-1
VOLUME	PART NUMBER

THIS DRAWING IS A CONTROLLED DOCUMENT.		DWN: R. WHITAKER 09JAN2006	NAME	
DIMENSIONS: mm [INCHES]		CHK: J. ELLIS 09JAN2006	DUST COVER HOUSING, AMP POWER SERIES 175	
TOLERANCES UNLESS OTHERWISE SPECIFIED:		APVD: J. ELLIS 09JAN2006	SIZE: CAGE CODE: DRAWING NO: RESTRICTED TO	
0 PLC ±	1 PLC ±	PRODUCT SPEC	A100779C-647692	
2 PLC ±0.13 (1.005)	3 PLC ±	APPLICATION SPEC	SCALE 4:1 SHEET 1 OF 1 REV A	
4 PLC ±	ANGLES ±	WEIGHT SEE TABLE		
FINISH	±0°30'	CUSTOMER DRAWING		