



Chipsmall Limited consists of a professional team with an average of over 10 year of expertise in the distribution of electronic components. Based in Hongkong, we have already established firm and mutual-benefit business relationships with customers from,Europe,America and south Asia,supplying obsolete and hard-to-find components to meet their specific needs.

With the principle of "Quality Parts,Customers Priority,Honest Operation,and Considerate Service",our business mainly focus on the distribution of electronic components. Line cards we deal with include Microchip,ALPS,ROHM,Xilinx,Pulse,ON,Everlight and Freescale. Main products comprise IC,Modules,Potentiometer,IC Socket,Relay,Connector.Our parts cover such applications as commercial,industrial, and automotives areas.

We are looking forward to setting up business relationship with you and hope to provide you with the best service and solution. Let us make a better world for our industry!



Contact us

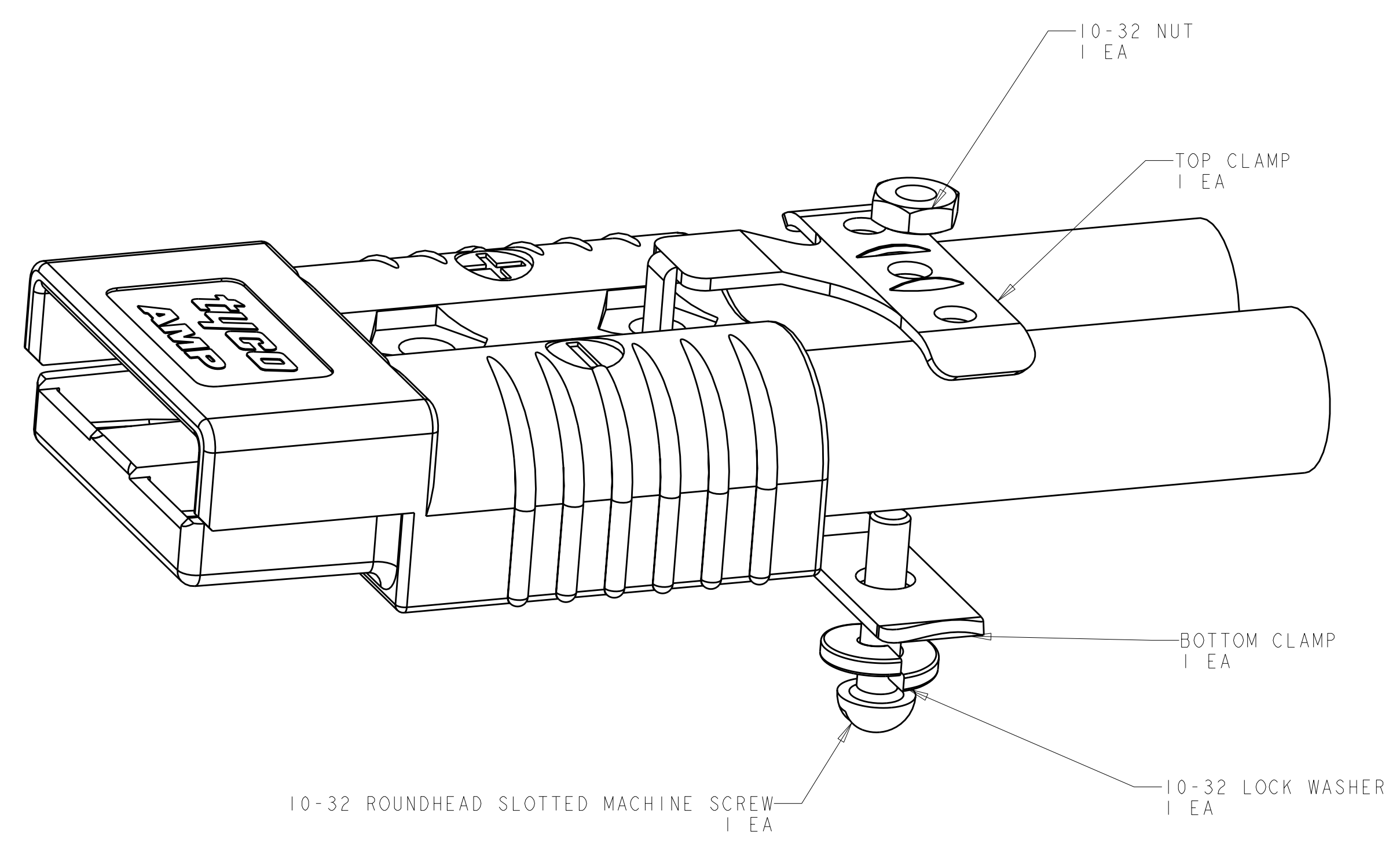
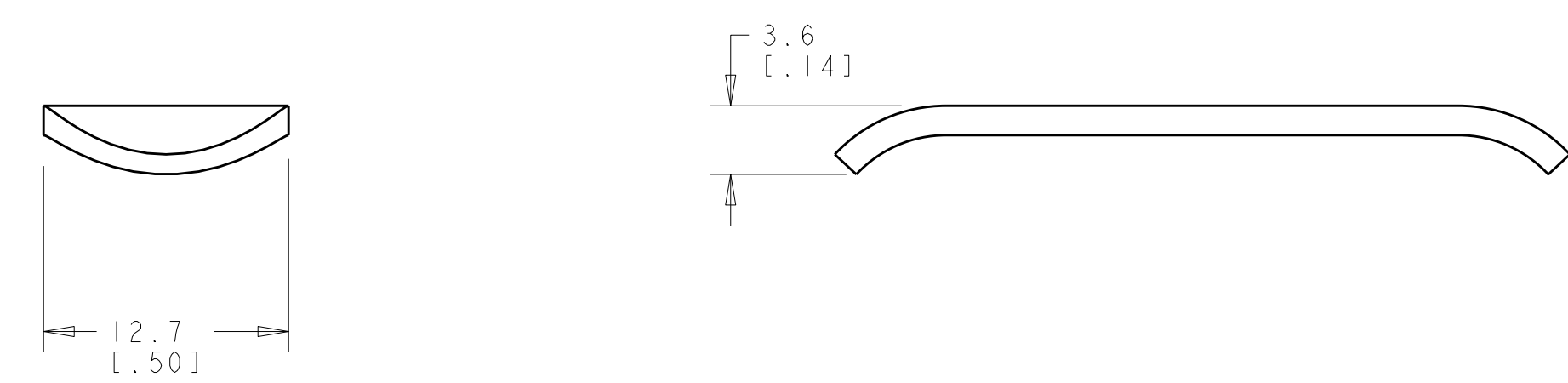
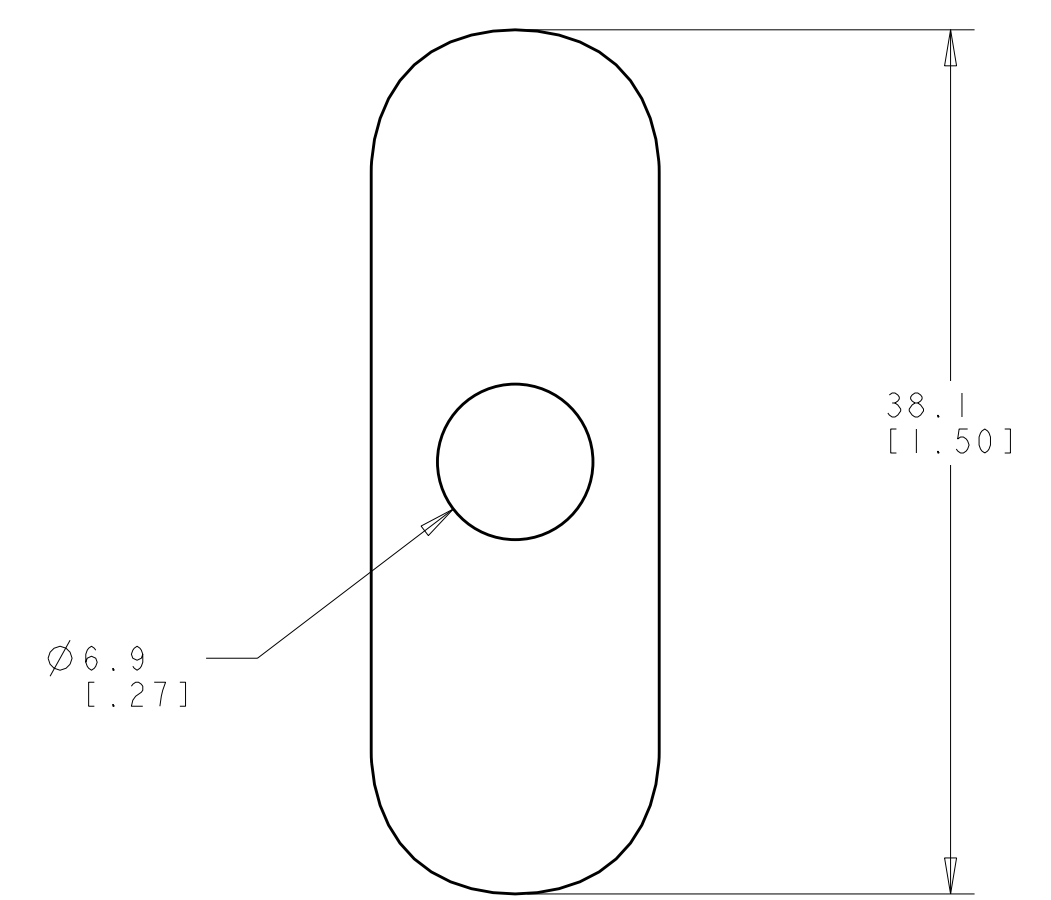
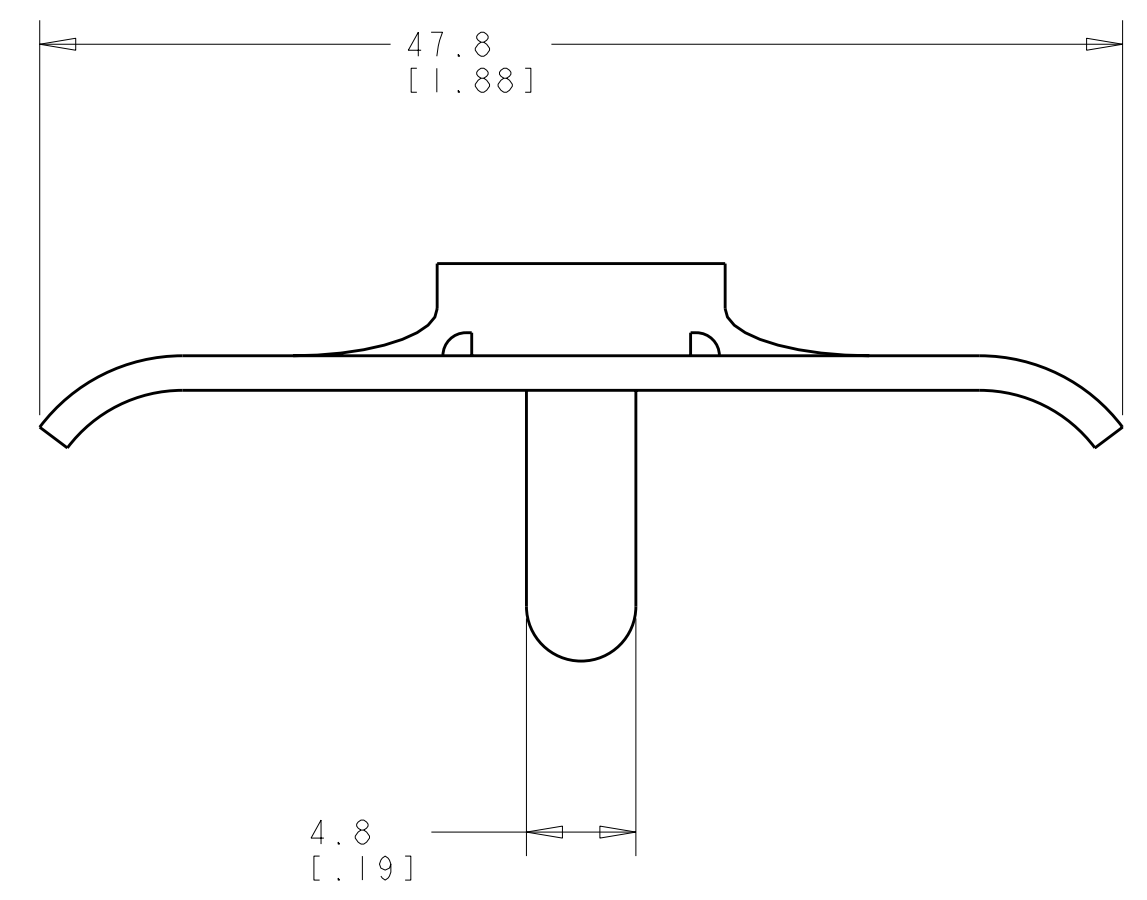
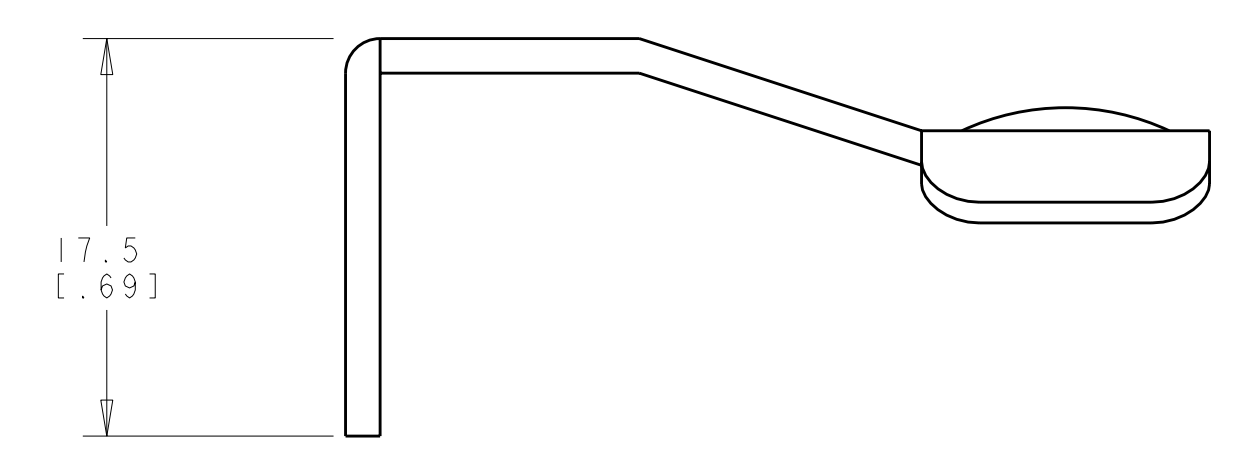
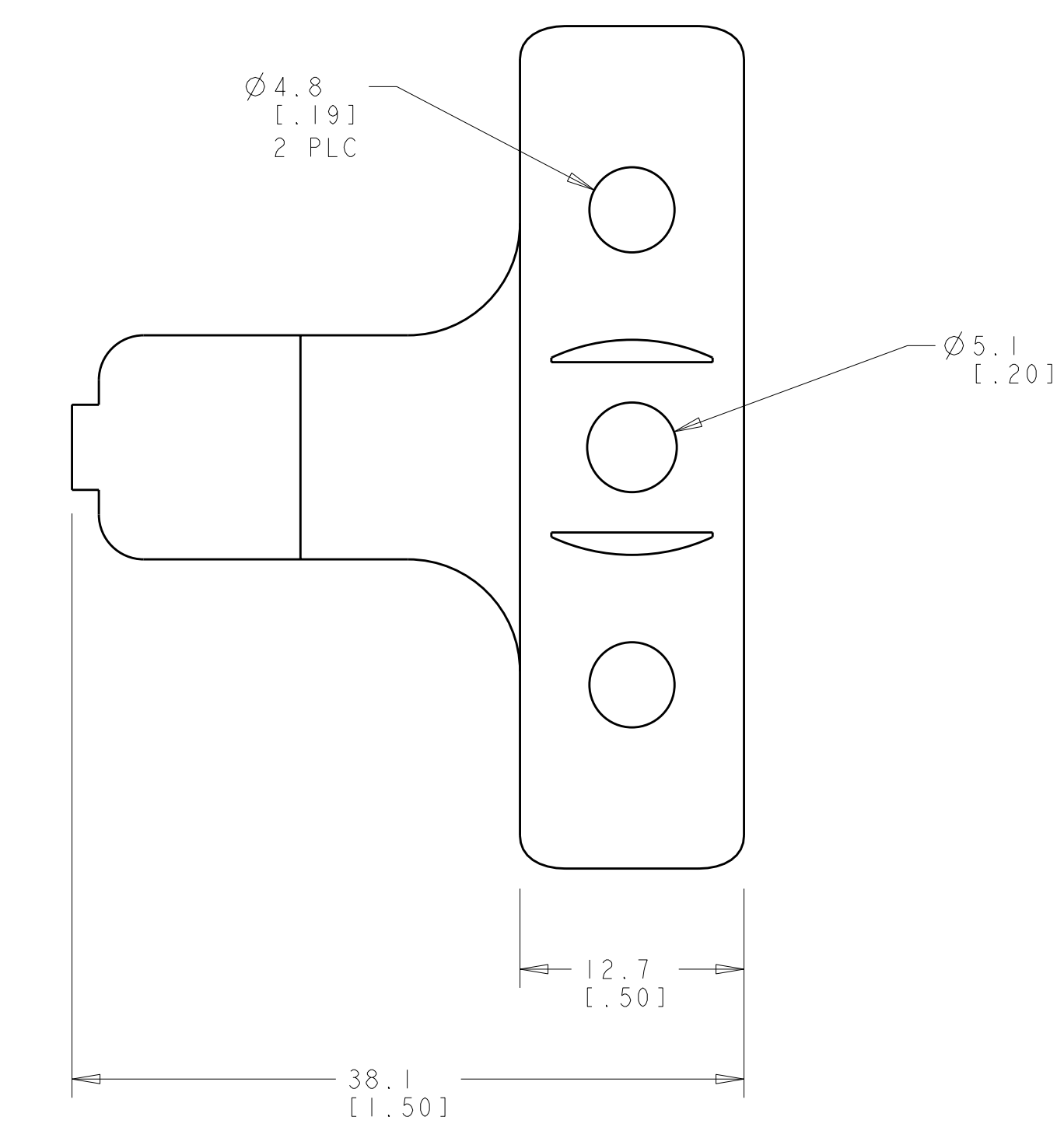
Tel: +86-755-8981 8866 Fax: +86-755-8427 6832

Email & Skype: info@chipsmall.com Web: www.chipsmall.com

Address: A1208, Overseas Decoration Building, #122 Zhenhua RD., Futian, Shenzhen, China



LOC	DIST	REVISIONS			
CM	00	REV	DATE	BY	APP'D
		1	PRE-RELEASED	27OCT2003	KW JE
		0	REVISED PER 0G3B-1056-04	14MAR06	KW JE



SCALE 2:1

1. A HARDWARE KIT CONSISTING OF SCREW, LOCKWASHER, AND NUT IS INCLUDED IN THE CLAMP KIT.
2. CLAMP MATERIAL IS 16 GA. [.06] THICK COLD ROLLED STEEL. BRIGHT ZINC PLATED.

647700-1
PART NUMBER



<small>THIS DRAWING IS UNPUBLISHED. RELEASED FOR PUBLICATION BY TYCO ELECTRONICS CORPORATION. ALL RIGHTS RESERVED.</small>		DWN R. WHITAKER 27OCT2003 CHK J. ELLIS 27OCT2003 APVD J. ELLIS 27OCT2003	tyco Electronics Tyco Electronics Harrisburg, PA 17105-3608
DIMENSIONS: mm [INCHES]	TOLERANCES UNLESS OTHERWISE SPECIFIED: 0 PLC ± 1 PLC ±0.50 [1.020] 2 PLC ± 3 PLC ± 4 PLC ± ANGLES ±40° 30'	NAME PRODUCT SPEC APPLICATION SPEC WEIGHT CUSTOMER DRAWING	NAME CABLE CLAMP KIT, AMP POWER SERIES 175 SIZE CAGE CODE DRAWING NO A11 00779 C-647700 SCALE 3:1 SHEET 1 OF 1 REV 0