



Chipsmall Limited consists of a professional team with an average of over 10 year of expertise in the distribution of electronic components. Based in Hongkong, we have already established firm and mutual-benefit business relationships with customers from,Europe,America and south Asia,supplying obsolete and hard-to-find components to meet their specific needs.

With the principle of “Quality Parts,Customers Priority,Honest Operation,and Considerate Service”,our business mainly focus on the distribution of electronic components. Line cards we deal with include Microchip,ALPS,ROHM,Xilinx,Pulse,ON,Everlight and Freescale. Main products comprise IC,Modules,Potentiometer,IC Socket,Relay,Connector.Our parts cover such applications as commercial,industrial, and automotives areas.

We are looking forward to setting up business relationship with you and hope to provide you with the best service and solution. Let us make a better world for our industry!



## Contact us

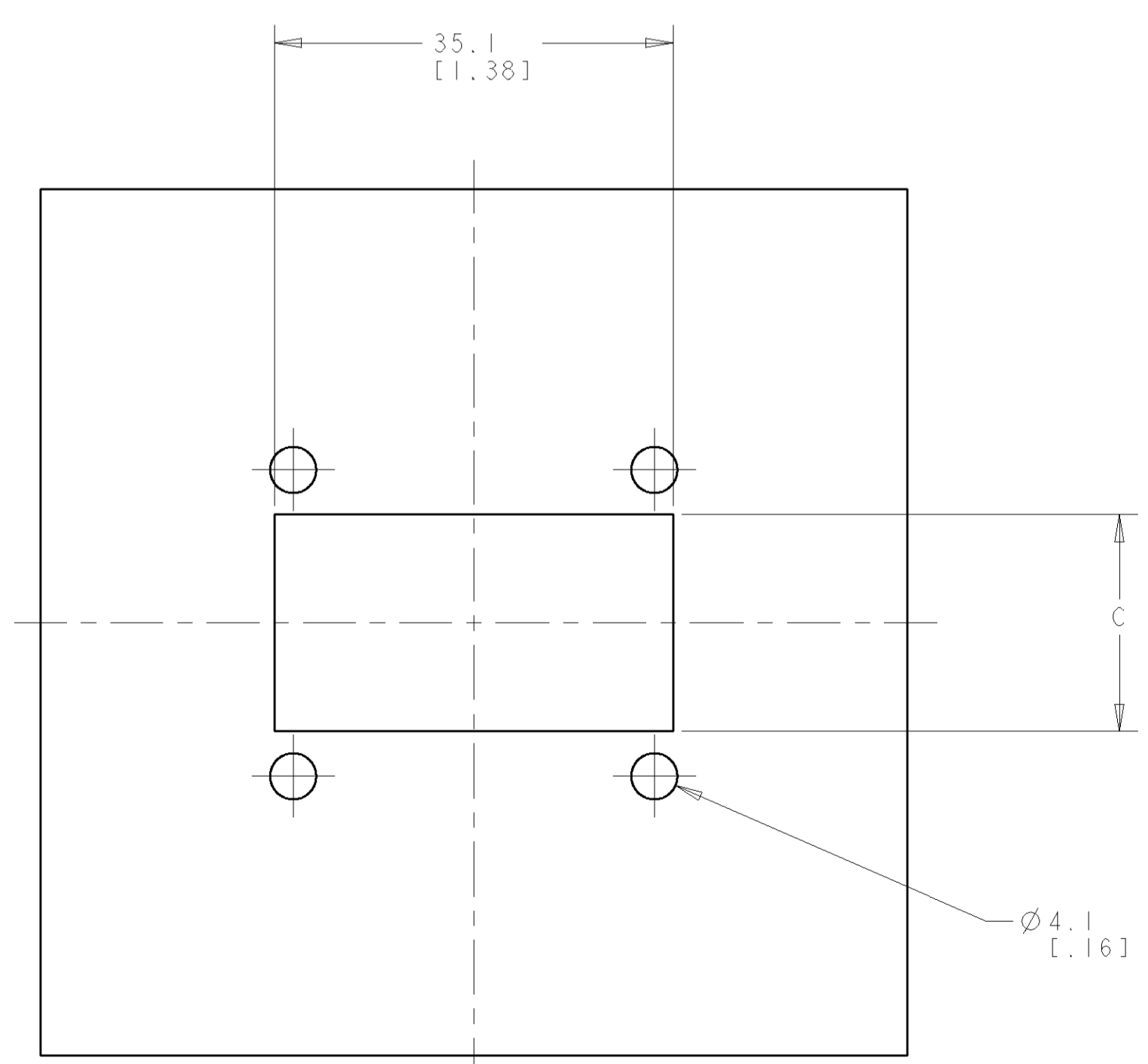
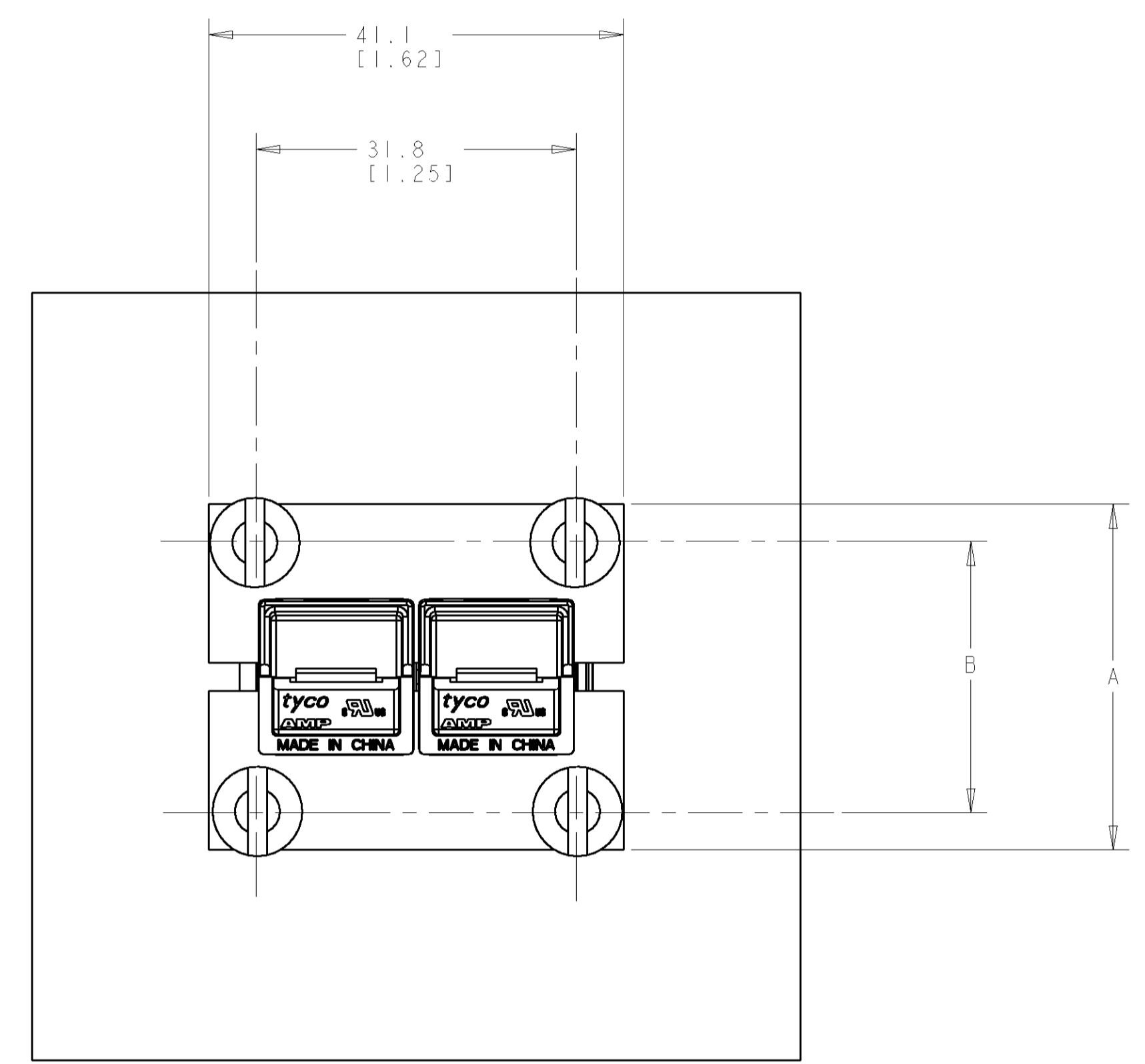
Tel: +86-755-8981 8866 Fax: +86-755-8427 6832

Email & Skype: info@chipsmall.com Web: www.chipsmall.com

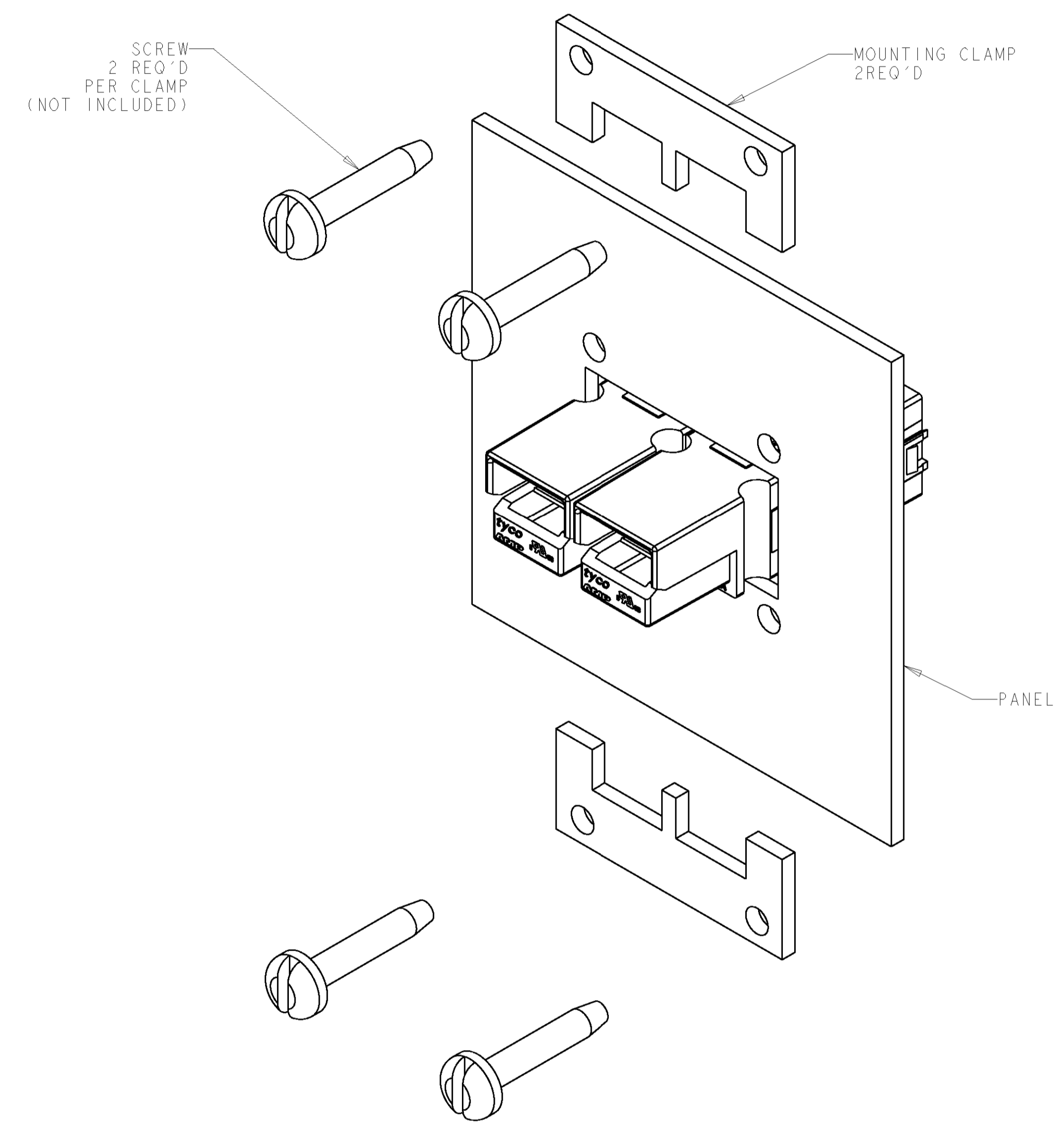
Address: A1208, Overseas Decoration Building, #122 Zhenhua RD., Futian, Shenzhen, China



LOC	DIST	REVISIONS			
P	LTR	DESCRIPTION	DATE	DWN	APVD
1		PRE-RELEASED	13JAN2003	KW	JE
0		REVISED PER 0638-0595-03	12SEP05	KW	JE



PANEL CUTOUT DIMENSIONS



1. MOUNTING CLAMPS SOLD IN PAIRS, SCREWS NOT INCLUDED.

35.1 [1.38]	42.7 [1.68]	50.3 [1.98]	4
19.0 [0.75]	26.9 [1.06]	34.5 [1.36]	2
C	B	A	NO OF POLES

1 BOX	647716-2
1 PAIR	647716-1
QTY / UNIT OF MEASUREMENT	PART NUMBER

<small>THE INFORMATION CONTAINED HEREIN IS UNCLASSIFIED EXCEPT WHERE SHOWN OTHERWISE. IT IS THE PROPERTY OF TYCO ELECTRONICS CORPORATION AND IS TO BE CONTAINED AND CONTROLLED BY THE USER'S ORGANIZATION UNLESS SO INDICATED BY THE USER'S ORGANIZATION.</small>		DWN B. WHITAKER 13JAN2003	Tyco Electronics Harrisburg, PA 17105-3608
DIMENSIONS: mm [INCHES] TOLERANCES UNLESS OTHERWISE SPECIFIED: 0 PLC ± 1 PLC ±0.5 [0.02] 2 PLC ± 3 PLC ± 4 PLC ± ANGLES ± FINISH -		ENR J. ELLIS 13JAN2003 APVD J. ELLIS 13JAN2003 PRODUCT SPEC APPLICATION SPEC WEIGHT MATERIAL AL 2.3 [0.09] THK	
PANEL CUTOUT DIMENSIONS		NAME AMP POWER SERIES 75, MOUNTING CLAMP, 2 AND 4 POLE SIZE CAGE CODE DRAWING NO A1 00779 C=647716 CUSTOMER DRAWING	RESTRICTED TO SCALE 2:1 SHEET 1 OF 1 REV 0

