



Chipsmall Limited consists of a professional team with an average of over 10 year of expertise in the distribution of electronic components. Based in Hongkong, we have already established firm and mutual-benefit business relationships with customers from,Europe,America and south Asia,supplying obsolete and hard-to-find components to meet their specific needs.

With the principle of “Quality Parts,Customers Priority,Honest Operation,and Considerate Service”,our business mainly focus on the distribution of electronic components. Line cards we deal with include Microchip,ALPS,ROHM,Xilinx,Pulse,ON,Everlight and Freescale. Main products comprise IC,Modules,Potentiometer,IC Socket,Relay,Connector.Our parts cover such applications as commercial,industrial, and automotives areas.

We are looking forward to setting up business relationship with you and hope to provide you with the best service and solution. Let us make a better world for our industry!



Contact us

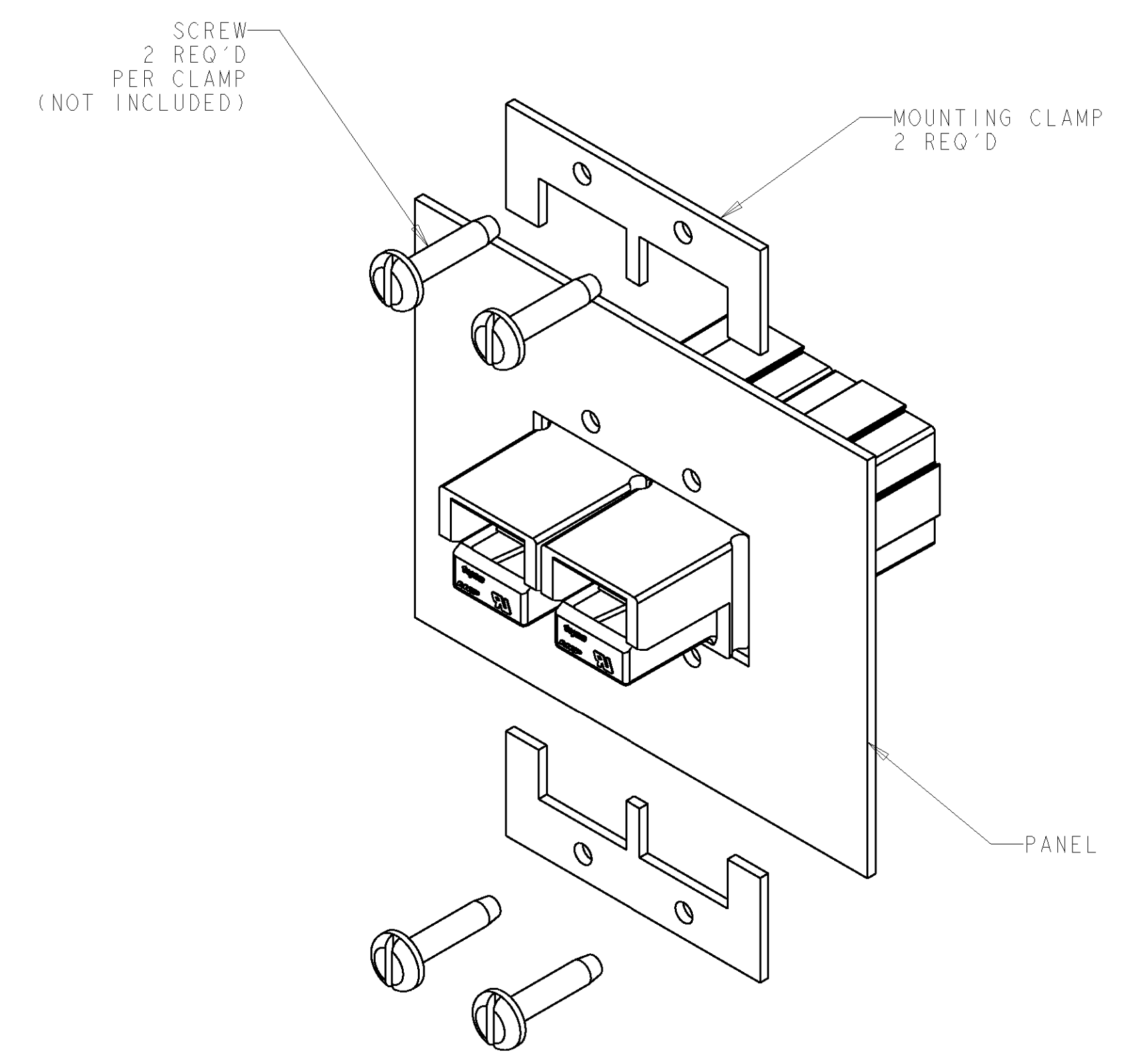
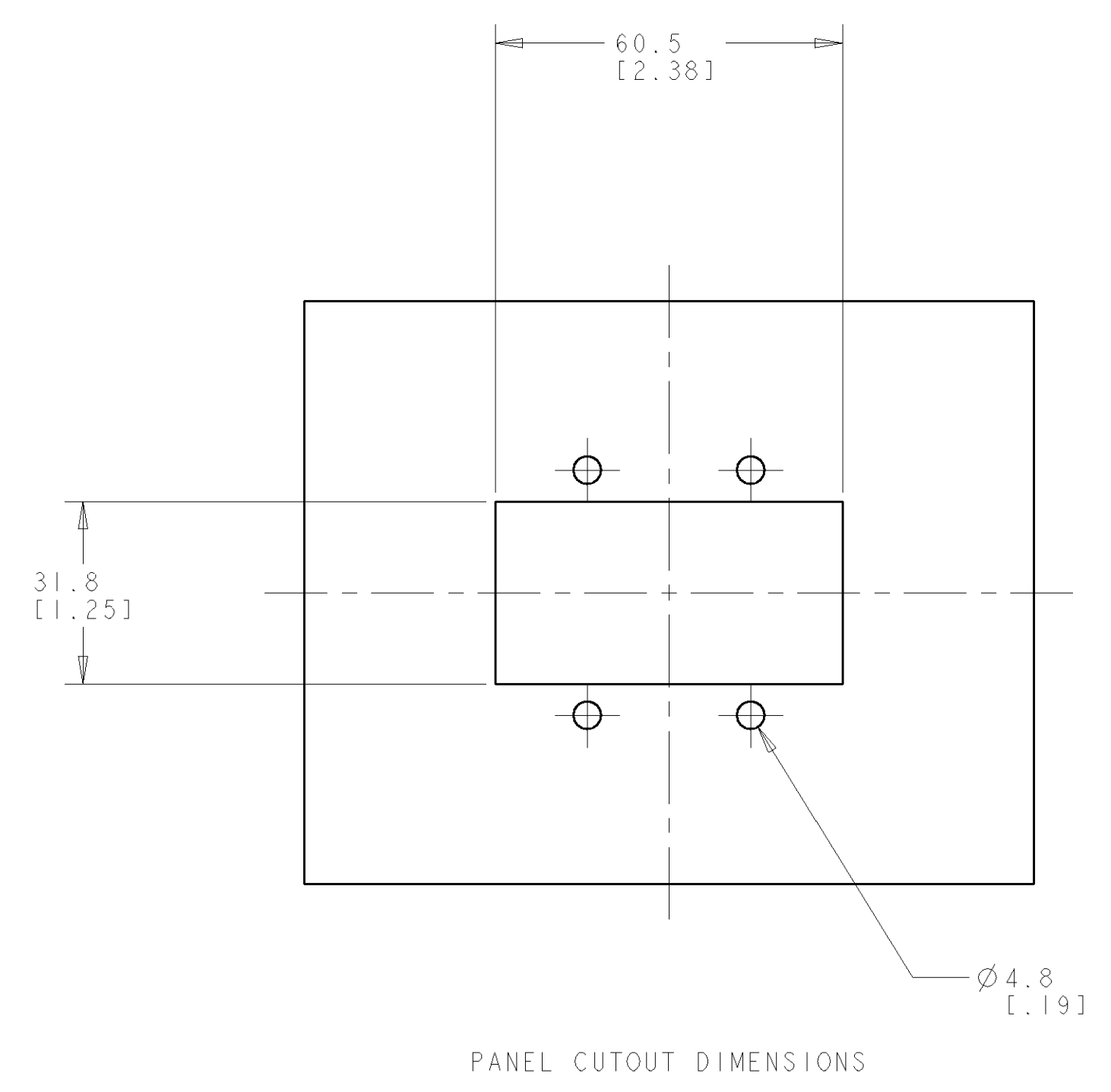
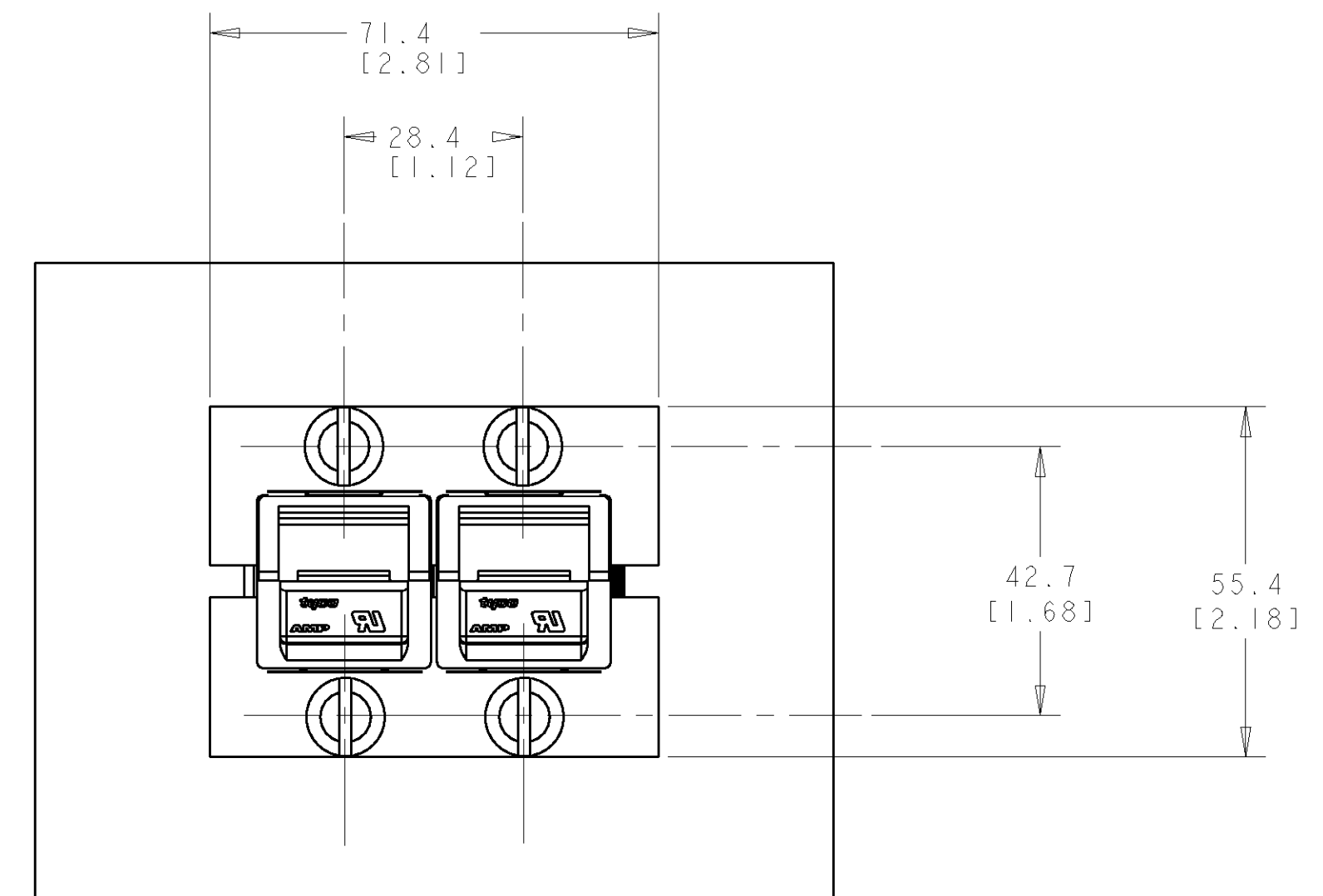
Tel: +86-755-8981 8866 Fax: +86-755-8427 6832

Email & Skype: info@chipsmall.com Web: www.chipsmall.com

Address: A1208, Overseas Decoration Building, #122 Zhenhua RD., Futian, Shenzhen, China



LOC	DIST	REVISIONS					
CM	00	P	LTR	DESCRIPTION	DATE	DWN	APVD
		1		PRE-RELEASED	21NOV2002	KW	JE
		0		REVISED PER 0638-0595-03	16JAN06	KW	JE



I. MOUNTING CLAMPS SOLD IN PAIRS, SCREWS NOT INCLUDED.

QTY / UNIT OF MEASUREMENT	PART NUMBER
1 BOX	647720-2
1 PAIR	647720-1

DIMENSIONS: mm [INCHES]		TOLERANCES UNLESS OTHERWISE SPECIFIED: 0 PLC ± 1 PLC ±0.5 [.02] 2 PLC ± 3 PLC ± 4 PLC ± ANGLES ±		DWN: B. WHITAKER 07-JAN-2003 ENR: J. ELLIS 07-JAN-2003 APVD: J. ELLIS 07-JAN-2003		tyco Tyco Electronics Harrisburg, PA 17105-3608	
MATERIAL: AL 2.3 [.09] THK FINISH: -		WEIGHT: - CUSTOMER DRAWING		NAME: AMP POWER SERIES 180 MOUNTING CLAMP, 2 POLE SIZE: A 00779 C=647720 SCALE: 1:1 SHEET 1 OF 1 REV 0		RESTRICTED TO: -	

