



Chipsmall Limited consists of a professional team with an average of over 10 year of expertise in the distribution of electronic components. Based in Hongkong, we have already established firm and mutual-benefit business relationships with customers from,Europe,America and south Asia,supplying obsolete and hard-to-find components to meet their specific needs.

With the principle of “Quality Parts,Customers Priority,Honest Operation,and Considerate Service”,our business mainly focus on the distribution of electronic components. Line cards we deal with include Microchip,ALPS,ROHM,Xilinx,Pulse,ON,Everlight and Freescale. Main products comprise IC,Modules,Potentiometer,IC Socket,Relay,Connector.Our parts cover such applications as commercial,industrial, and automotives areas.

We are looking forward to setting up business relationship with you and hope to provide you with the best service and solution. Let us make a better world for our industry!



Contact us

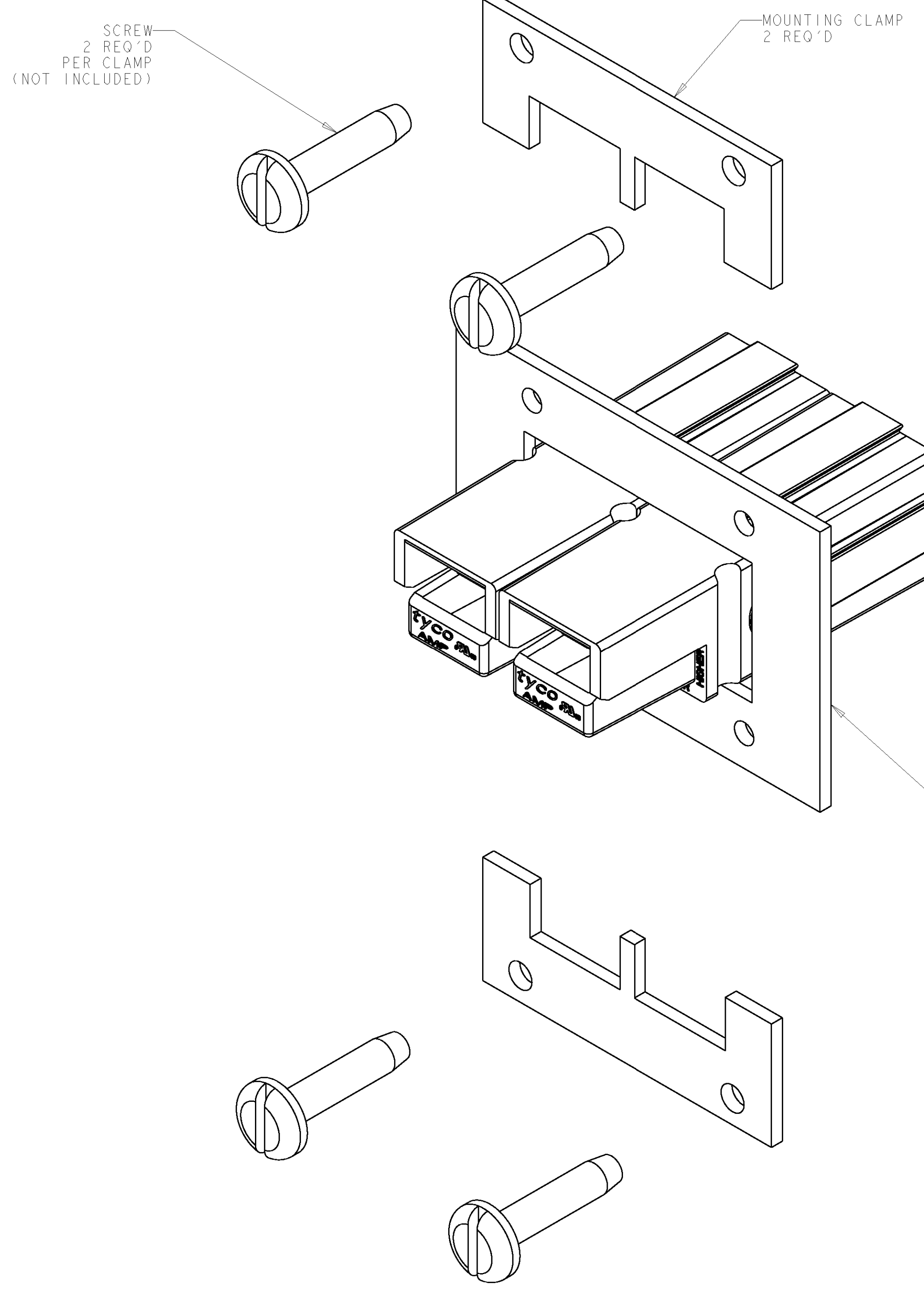
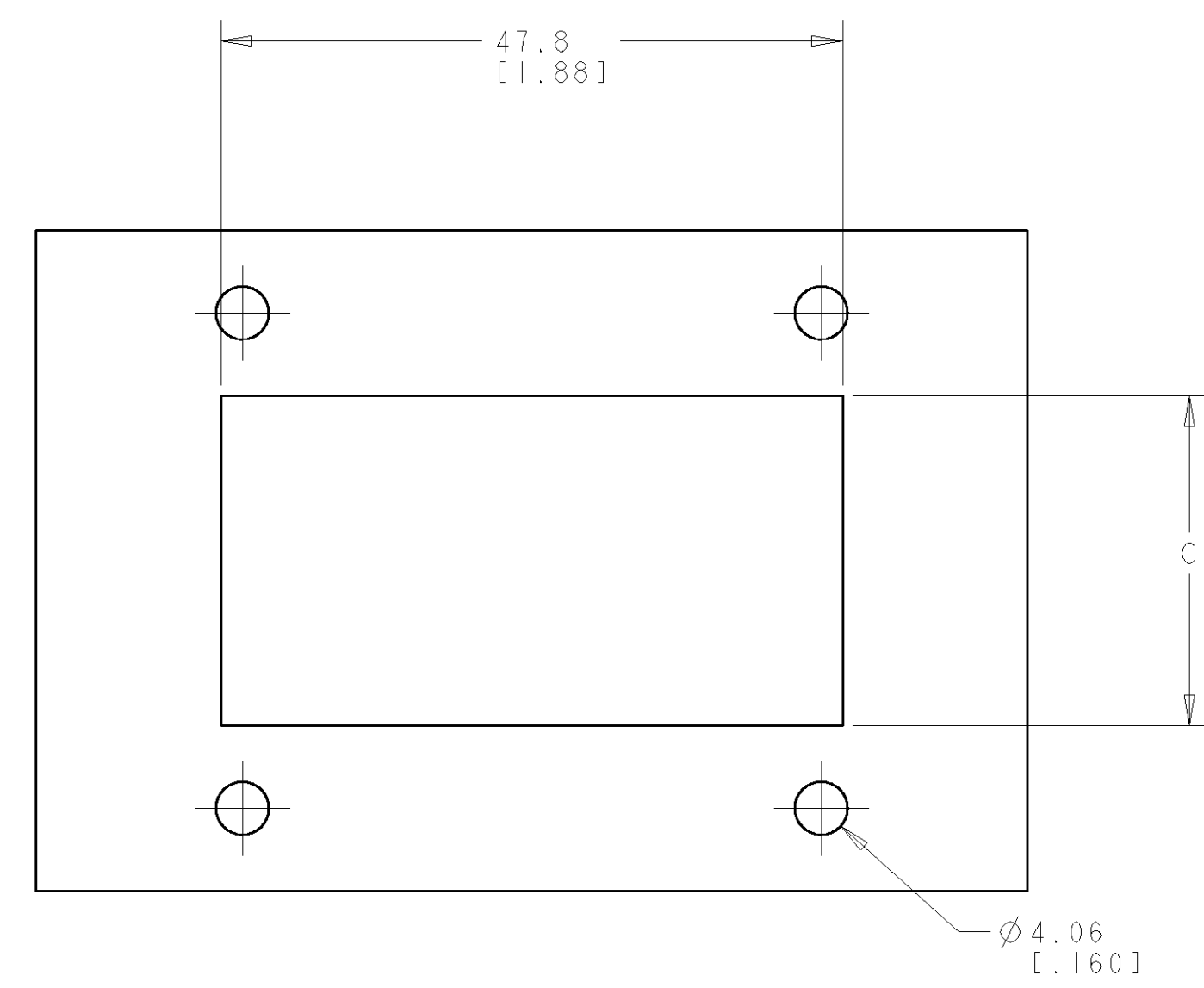
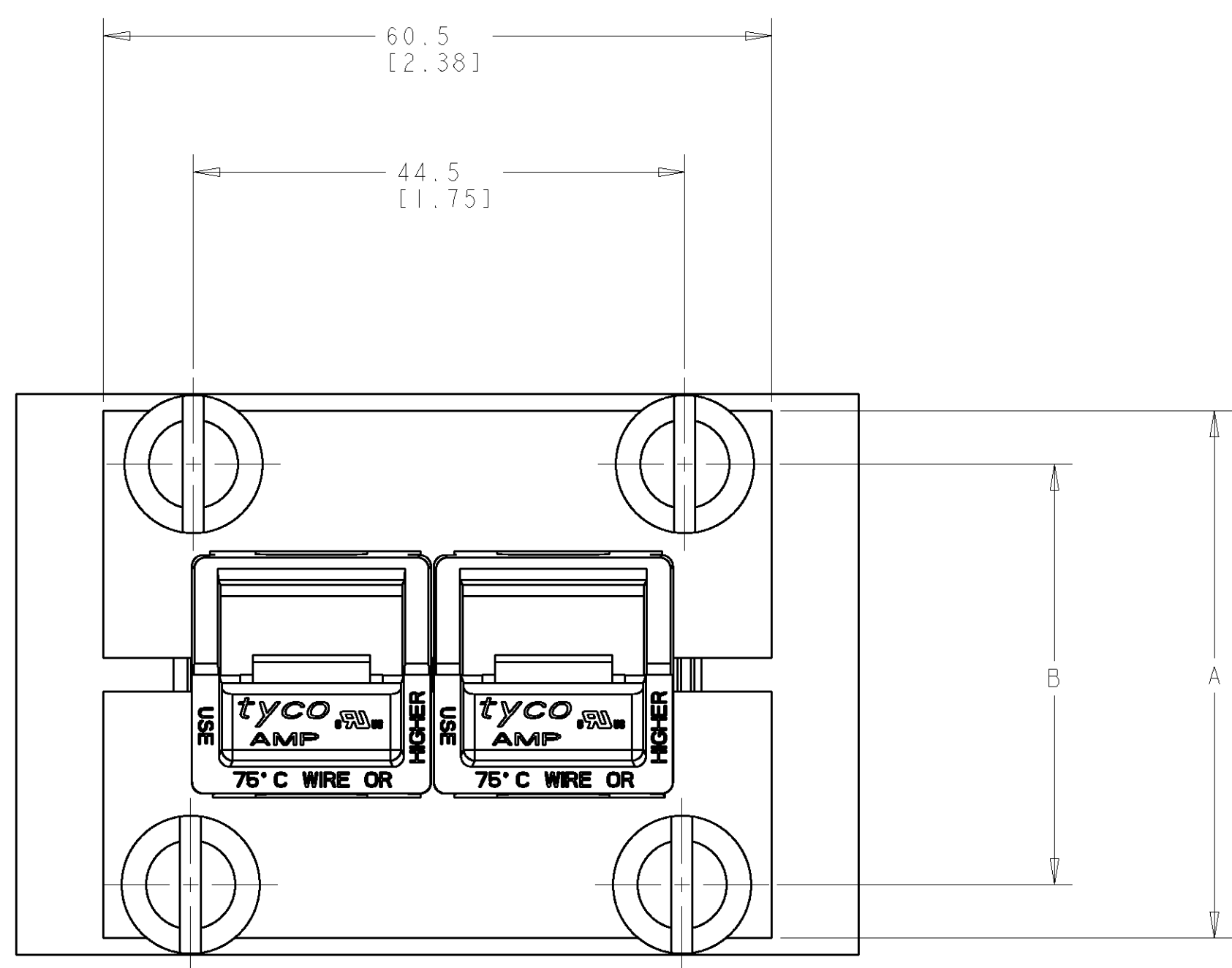
Tel: +86-755-8981 8866 Fax: +86-755-8427 6832

Email & Skype: info@chipsmall.com Web: www.chipsmall.com

Address: A1208, Overseas Decoration Building, #122 Zhenhua RD., Futian, Shenzhen, China



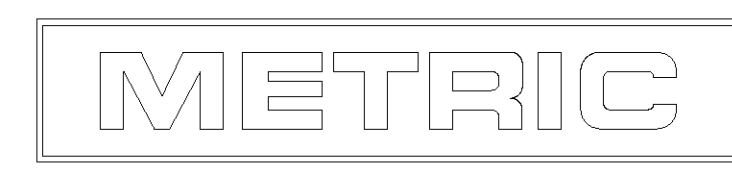
LOC	DIST	REVISIONS					
		P	LTR	DESCRIPTION	DATE	DWN	APVD
CM	00	1		PRE-RELEASED	15JAN2003	KW	JE
		0		REVISED PER 0638-0595-03	16JAN06	KW	JE



1. MOUNTING CLAMPS SOLD IN PAIRS, SCREWS NOT INCLUDED.

47.8 [1.88]	38.1 [1.50]	70.1 [2.76]	4
25.4 [1.00]	60.5 [2.38]	47.8 [1.88]	2
C	B	A	NO OF POLES

1 BOX	647721-2
1 PAIR	647721-1
QTY / UNIT OF MEASUREMENT	PART NUMBER



<small>THE DIMENSIONS TO WHICH THIS DRAWING IS SUBJECT TO CHANGE WITHOUT NOTICE AND WITHOUT LIABILITY TO THE CUSTOMER. THE CUSTOMER SHALL BE RESPONSIBLE FOR VERIFYING THE DIMENSIONS OF THE PARTS TO BE USED IN HIS APPLICATION.</small>		DWN: B. WHITAKER 15JAN2003 ENR: J. ELLIS 15JAN2003 APVD: J. ELLIS 15JAN2003	tyco Electronics Tyco Electronics Harrisburg, PA 17105-3608
DIMENSIONS: mm [INCHES]	TOLERANCES UNLESS OTHERWISE SPECIFIED: 0 PLC ± 1 PLC ±0.5 [0.02] 2 PLC ± 3 PLC ± 4 PLC ± ANGLES ±	NAME: AMP POWER SERIES 120, MOUNTING CLAMP, 2 AND 4 POLE PRODUCT SPEC: APPLICATION SPEC: WEIGHT:	SIZE: A1 CAGE CODE: 00779 DRAWING NO: 647721 RESTRICTED TO:
MATERIAL: AL 2.3 [0.09] THK FINISH:	WEIGHT:	CUSTOMER DRAWING	SCALE: 2:1 SHEET: 1 OF 1 REV: 0