



Chipsmall Limited consists of a professional team with an average of over 10 year of expertise in the distribution of electronic components. Based in Hongkong, we have already established firm and mutual-benefit business relationships with customers from,Europe,America and south Asia,supplying obsolete and hard-to-find components to meet their specific needs.

With the principle of “Quality Parts,Customers Priority,Honest Operation,and Considerate Service”,our business mainly focus on the distribution of electronic components. Line cards we deal with include Microchip,ALPS,ROHM,Xilinx,Pulse,ON,Everlight and Freescale. Main products comprise IC,Modules,Potentiometer,IC Socket,Relay,Connector.Our parts cover such applications as commercial,industrial, and automotives areas.

We are looking forward to setting up business relationship with you and hope to provide you with the best service and solution. Let us make a better world for our industry!



Contact us

Tel: +86-755-8981 8866 Fax: +86-755-8427 6832

Email & Skype: info@chipsmall.com Web: www.chipsmall.com

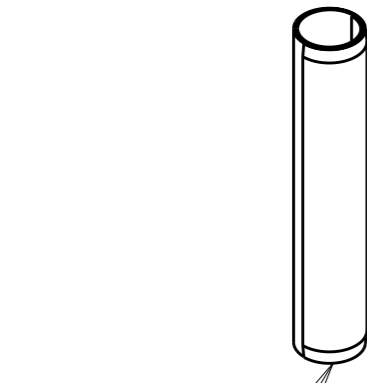
Address: A1208, Overseas Decoration Building, #122 Zhenhua RD., Futian, Shenzhen, China



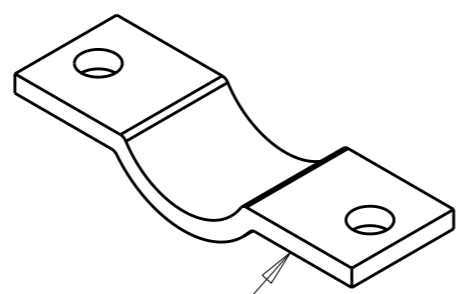
THIS DRAWING IS UNPUBLISHED. RELEASED FOR PUBLICATION 20

© COPYRIGHT 20 BY TYCO ELECTRONICS CORPORATION. ALL RIGHTS RESERVED.

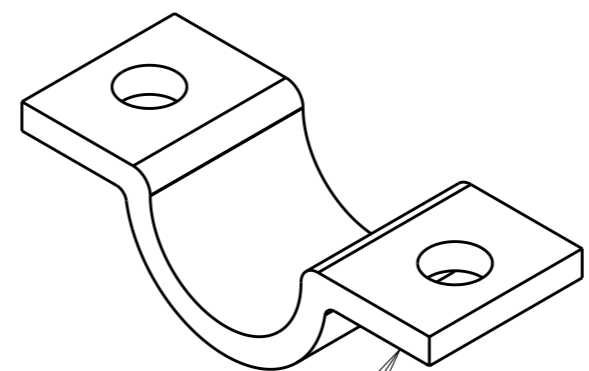
LOC	DIST	REVISIONS			
P	LTR	DESCRIPTION	DATE	DWN	APVD
-	-	B	REVISED PER ECO-09-017213	24JUL2009	SS MS



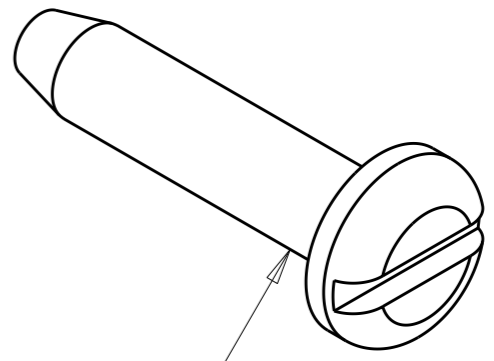
ROLL PIN



CABLE CLAMP (SMALL)



CABLE CLAMP (LARGE)



SCREW

KIT CONTENTS		KIT TYPE	PART NUMBER
1 CABLE CLAMP (SMALL), 2 SCREWS, 1 ROLL PIN	4 POLE	647747-3	
1 CABLE CLAMP (LARGE), 2 SCREWS, 2 ROLL PINS	6 POLE	647747-2	
1 CABLE CLAMP (LARGE), 2 SCREWS, 3 ROLL PINS	8 POLE	647747-1	

<small>THIS DRAWING IS A CONTROLLED DOCUMENT FOR TYCO ELECTRONICS CORPORATION. IT IS SUBJECT TO CHANGE AND THE CONTROLLING ENGINEERING ORGANIZATION SHOULD BE CONTACTED FOR THE LATEST REVISION.</small>		DWN K. WHITAKER 17APR2008 CHK S. RIDGILL 17APR2008 APVD S. RIDGILL 17APR2008	Tyco Electronics Harrisburg, PA 17105-3608
DIMENSIONS: INCHES 	TOLERANCES UNLESS OTHERWISE SPECIFIED: 0 PLC ±. 1 PLC ±. 2 PLC ±. 3 PLC ±. 4 PLC ±. ANGLES ±.	PRODUCT SPEC - APPLICATION SPEC - WEIGHT -	NAME KIT, CABLE CLAMP, HARDWARE PACK, AMP POWER SERIES 15/30/45 SIZE CAGE CODE DRAWING NO RESTRICTED TO A300779 C-647747 -
MATERIAL -	FINISH -	CUSTOMER DRAWING SCALE NTS SHEET 1 OF 1 REV B	