



Chipsmall Limited consists of a professional team with an average of over 10 year of expertise in the distribution of electronic components. Based in Hongkong, we have already established firm and mutual-benefit business relationships with customers from,Europe,America and south Asia,supplying obsolete and hard-to-find components to meet their specific needs.

With the principle of “Quality Parts,Customers Priority,Honest Operation,and Considerate Service”,our business mainly focus on the distribution of electronic components. Line cards we deal with include Microchip,ALPS,ROHM,Xilinx,Pulse,ON,Everlight and Freescale. Main products comprise IC,Modules,Potentiometer,IC Socket,Relay,Connector.Our parts cover such applications as commercial,industrial, and automotives areas.

We are looking forward to setting up business relationship with you and hope to provide you with the best service and solution. Let us make a better world for our industry!



Contact us

Tel: +86-755-8981 8866 Fax: +86-755-8427 6832

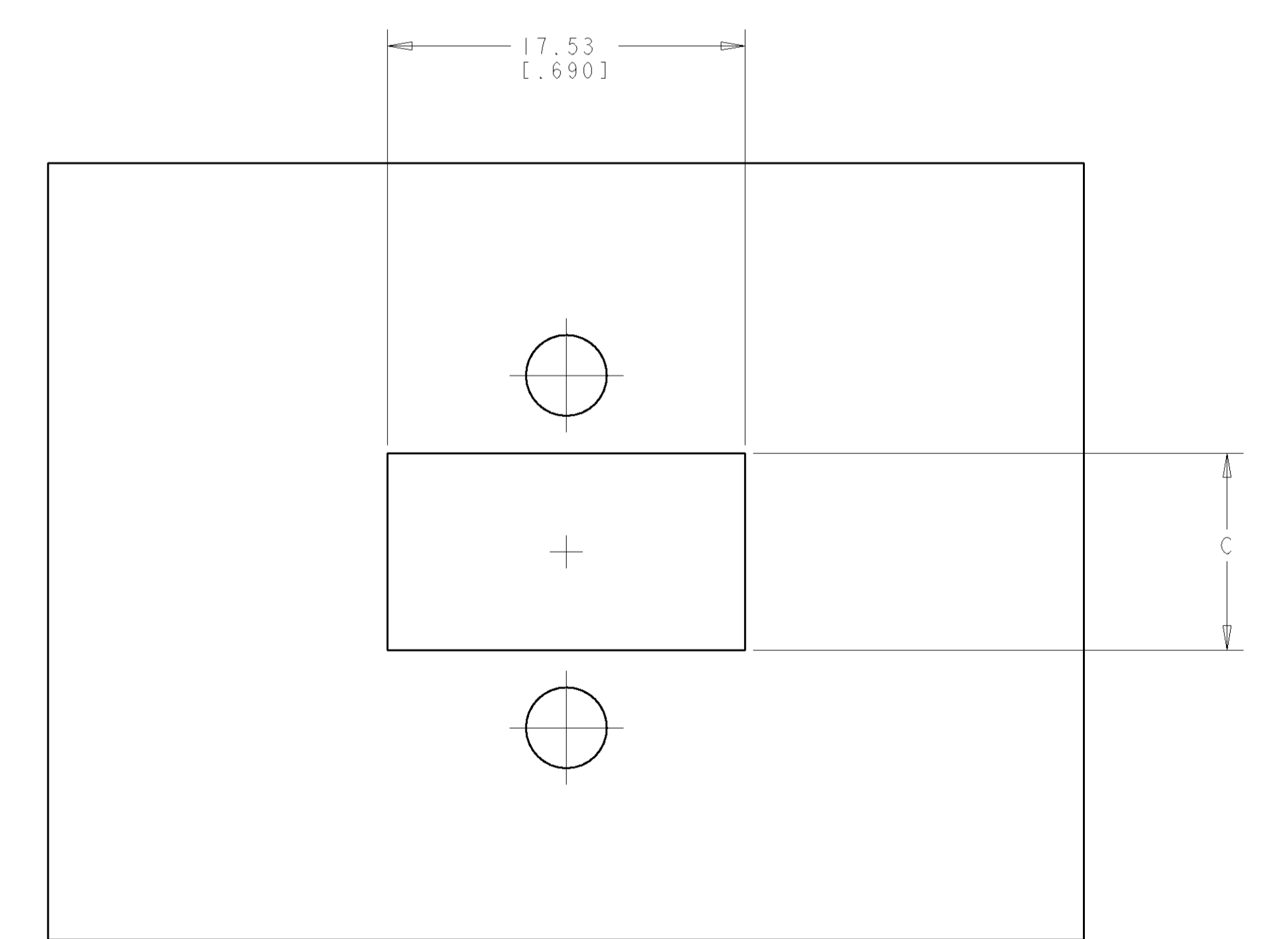
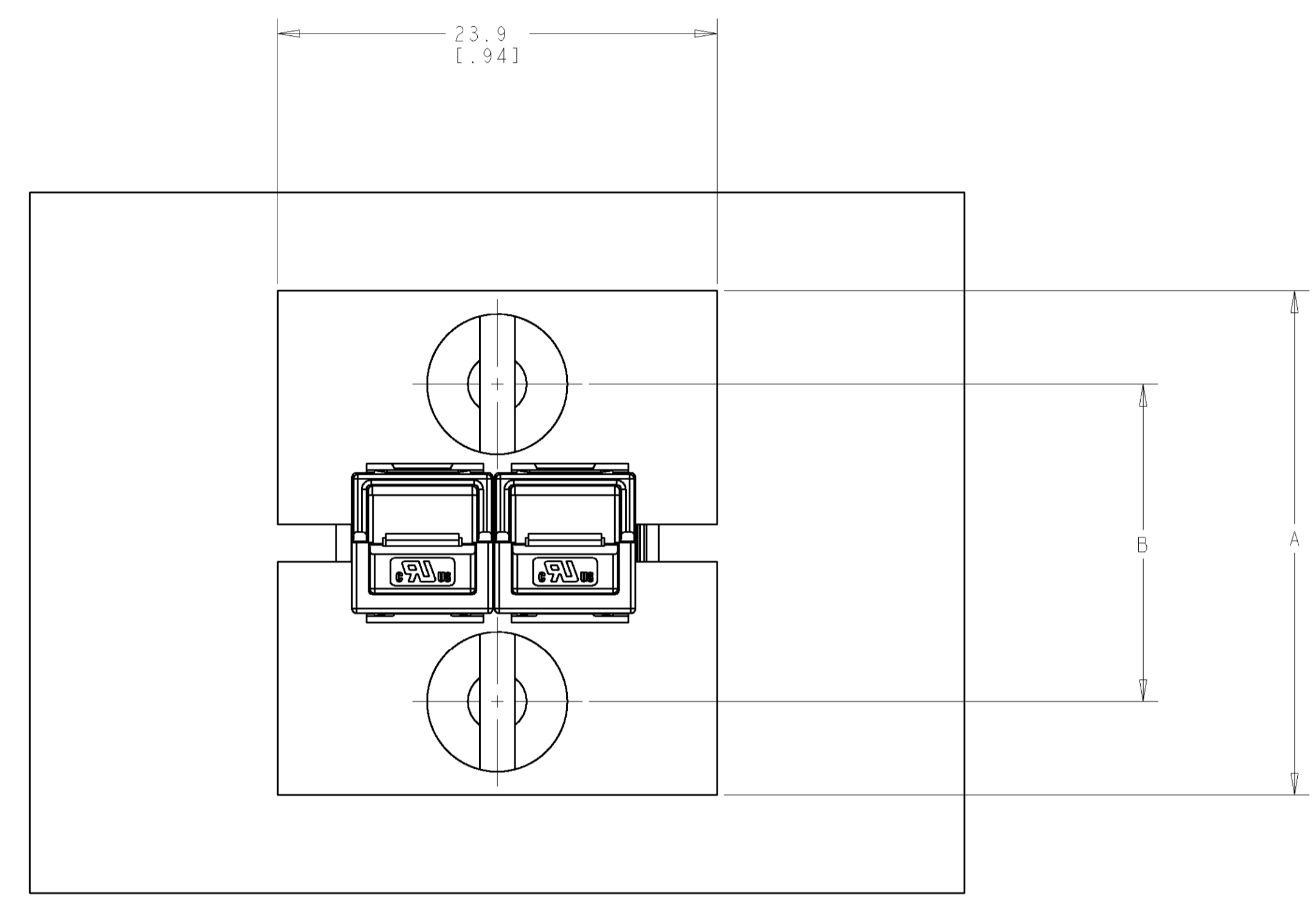
Email & Skype: info@chipsmall.com Web: www.chipsmall.com

Address: A1208, Overseas Decoration Building, #122 Zhenhua RD., Futian, Shenzhen, China

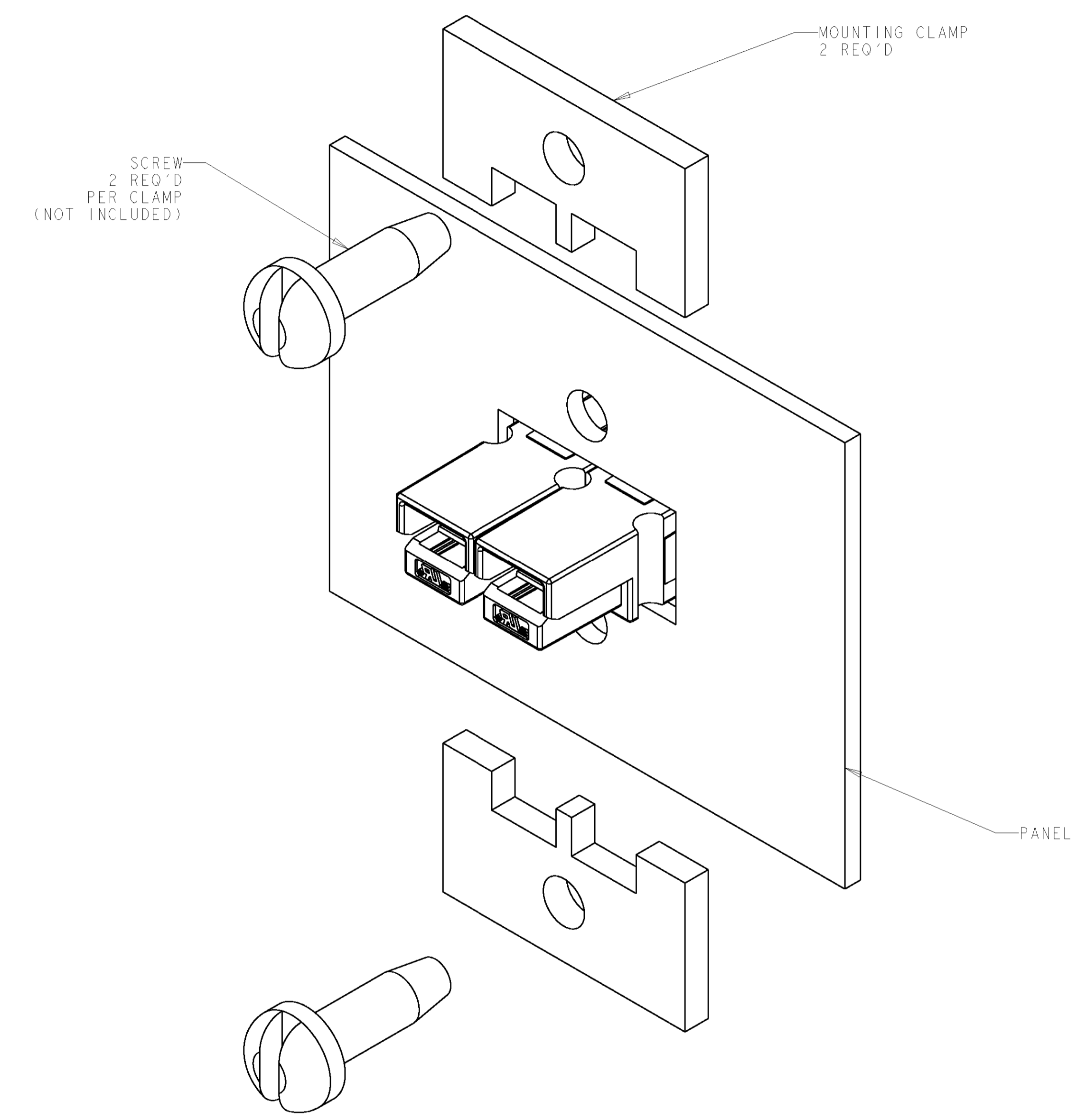


REVISONS		DATE	DWN	APVD
P	LTR	DESCRIPTION		
1		PRE-RELEASED	28JAN2003	KW JE
0		REVISED PER 0638-0595-03	16JAN06	KW JE

1. MOUNTING CLAMPS SOLD IN PAIRS, SCREWS NOT INCLUDED.



PANEL CUTOUT DIMENSIONS



17.5 [0.69]	25.4 [1.00]	35.0 [1.38]	4
9.7 [0.38]	17.3 [0.68]	26.9 [1.06]	2
C	B	A	NO OF POLES

1 BOX	647766-2
1 PAIR	647766-1
QTY / UNIT OF MEASUREMENT	PART NUMBER

<small>THE DIMENSIONS IN THIS DRAWING ARE UNLESS OTHERWISE SPECIFIED IN MILLIMETERS OR INCHES. DIMENSIONS ARE TO BE TAKEN TO THE CENTER OF THE HOLE UNLESS OTHERWISE SPECIFIED.</small>		DWN: B. WHITAKER 28JAN2003 ENR: J. ELLIS 28JAN2003 APVD: J. ELLIS 28JAN2003	tyco Electronics Tyco Electronics Harrisburg, PA 17105-3608
DIMENSIONS: mm [INCHES]	TOLERANCES UNLESS OTHERWISE SPECIFIED: 0 PLC ± 1 PLC ±0.5 [0.02] 2 PLC ± 3 PLC ± 4 PLC ± ANGLES ± FINISH -	NAME: AMP POWER SERIES PP15/45, MOUNTING CLAMP, 2 AND 4 POLE PRODUCT SPEC - APPLICATION SPEC - WEIGHT - CUSTOMER DRAWING	SIZE: A1 CAGE CODE: 00779 DRAWING NO: 647766 SCALE: 4:1 SHEET: 1 OF 1 REV: 0

