



Chipsmall Limited consists of a professional team with an average of over 10 year of expertise in the distribution of electronic components. Based in Hongkong, we have already established firm and mutual-benefit business relationships with customers from,Europe,America and south Asia,supplying obsolete and hard-to-find components to meet their specific needs.

With the principle of "Quality Parts,Customers Priority,Honest Operation,and Considerate Service",our business mainly focus on the distribution of electronic components. Line cards we deal with include Microchip,ALPS,ROHM,Xilinx,Pulse,ON,Everlight and Freescale. Main products comprise IC,Modules,Potentiometer,IC Socket,Relay,Connector.Our parts cover such applications as commercial,industrial, and automotives areas.

We are looking forward to setting up business relationship with you and hope to provide you with the best service and solution. Let us make a better world for our industry!



Contact us

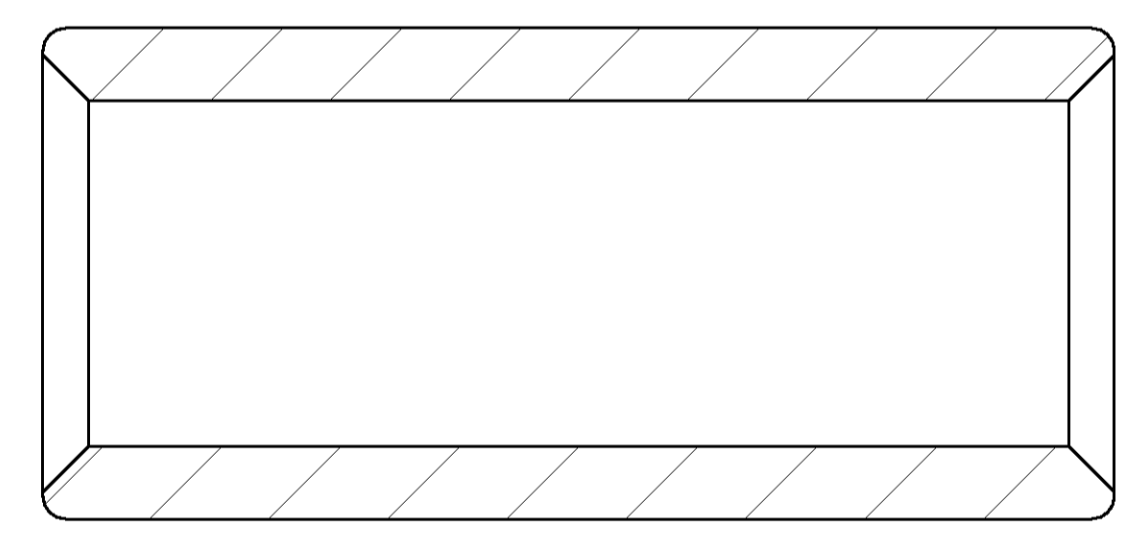
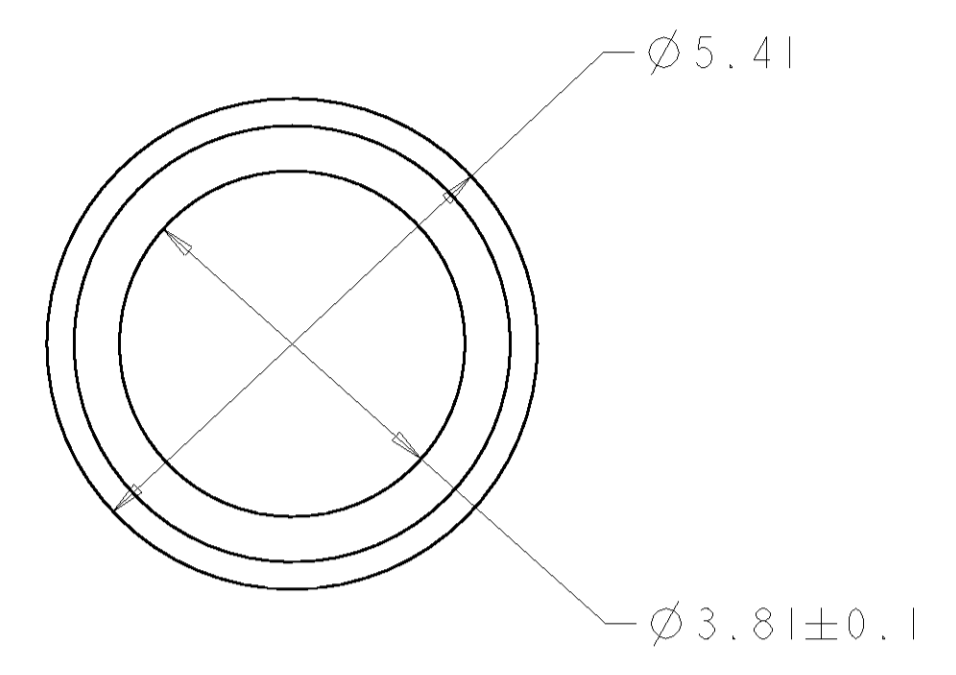
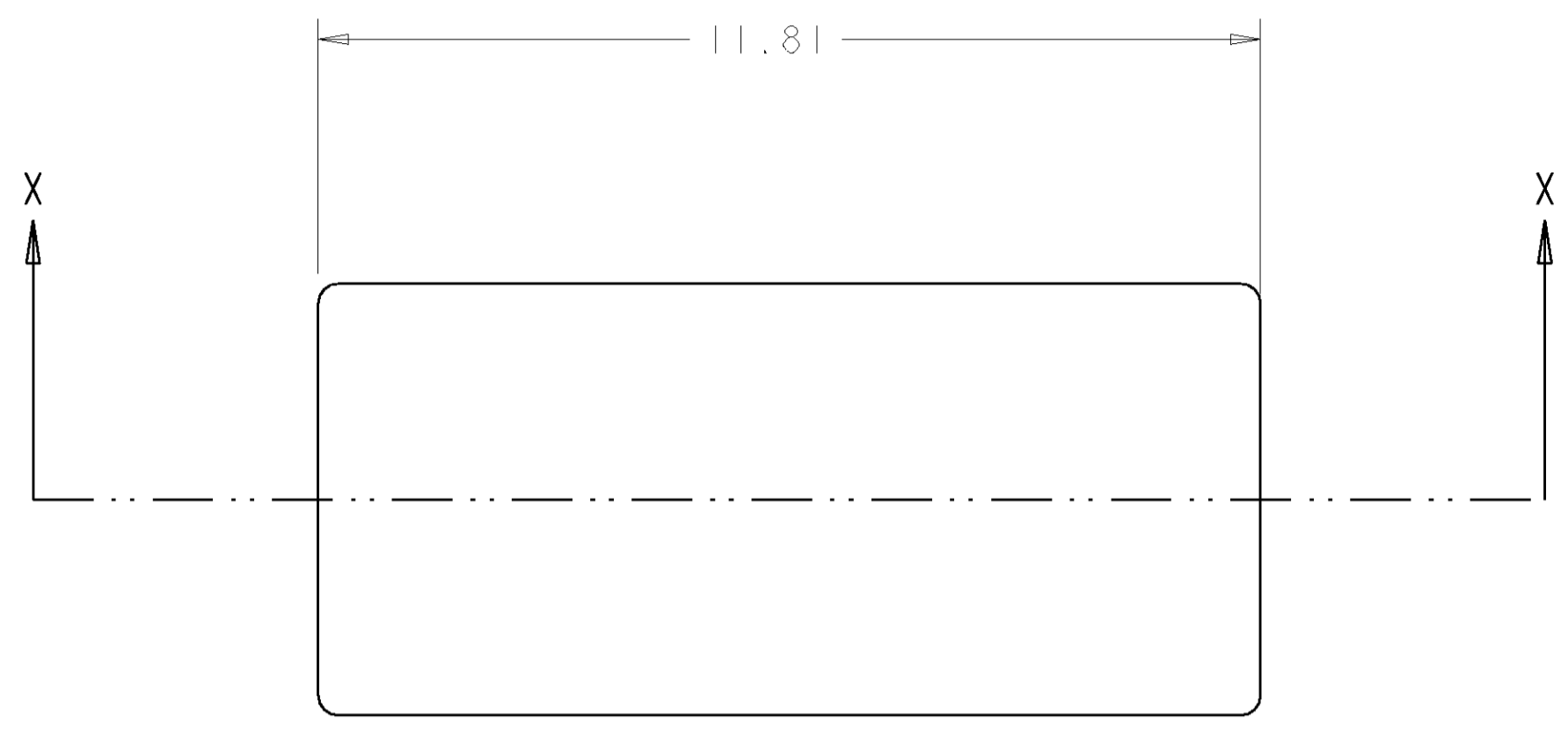
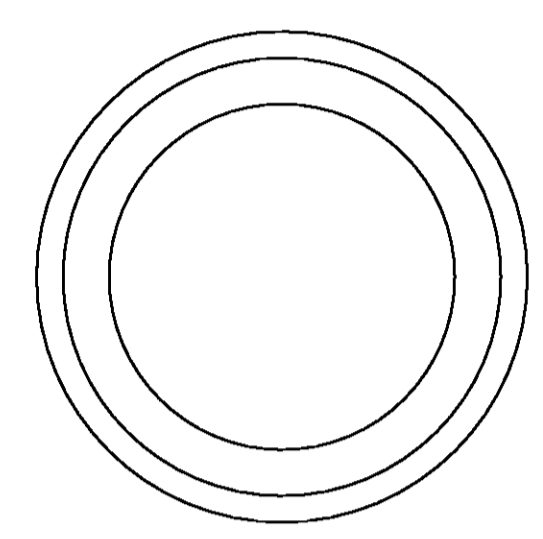
Tel: +86-755-8981 8866 Fax: +86-755-8427 6832

Email & Skype: info@chipsmall.com Web: www.chipsmall.com

Address: A1208, Overseas Decoration Building, #122 Zhenhua RD., Futian, Shenzhen, China



| LOC | | DIST | | REVISIONS | | | |
|-----|----|------|-----|-------------|-----------|-----|------|
| CM | 00 | P | LTR | DESCRIPTION | DATE | DWN | APVD |
| | | 0 | | RELEASED | 13JUN2001 | KW | JE |
| | | | | | | | |
| | | | | | | | |



SECTION X-X

- 1. MATERIAL: COPPER
- 2. PLATING: SILVER

| | | | | | |
|----------------------------------------------------------------------------------------------------------------------------|--|---------------------------------------------------------------------------------------------------------------------------|--|------------------------------------------------------------------------|--|
| <small>THIS DRAWING IS UNPUBLISHED. RELEASED FOR PUBLICATION BY TICO ELECTRONICS CORPORATION. ALL RIGHTS RESERVED.</small> | | DWN SHANE WIEST 13JUN2001 CHK K. KETELSLEGER 13JUN2001 APVD K. KETELSLEGER 13JUN2001 | | tyco Tyco Electronics Harrisburg, PA 17105-3608 | |
| DIMENSIONS: mm | | TOLERANCES UNLESS OTHERWISE SPECIFIED: 0 PLC ± 1 PLC ± 2 PLC ±0.13 3 PLC ± 4 PLC ± ANGLES ± FINISH - | | NAME PRODUCT SPEC APPLICATION SPEC WEIGHT CUSTOMER DRAWING | |
| MATERIAL - | | FINISH - | | SIZE CAGE CODE DRAWING NO RESTRICTED TO A 00779 C=647840 - | |
| AMP 4895 REV 31MAR2000 | | Pro/ENGINEER DRAWING | | SCALE 12:1 SHEET 1 OF 1 REV 0 | |