



Chipsmall Limited consists of a professional team with an average of over 10 year of expertise in the distribution of electronic components. Based in Hongkong, we have already established firm and mutual-benefit business relationships with customers from,Europe,America and south Asia,supplying obsolete and hard-to-find components to meet their specific needs.

With the principle of “Quality Parts,Customers Priority,Honest Operation,and Considerate Service”,our business mainly focus on the distribution of electronic components. Line cards we deal with include Microchip,ALPS,ROHM,Xilinx,Pulse,ON,Everlight and Freescale. Main products comprise IC,Modules,Potentiometer,IC Socket,Relay,Connector.Our parts cover such applications as commercial,industrial, and automotives areas.

We are looking forward to setting up business relationship with you and hope to provide you with the best service and solution. Let us make a better world for our industry!



Contact us

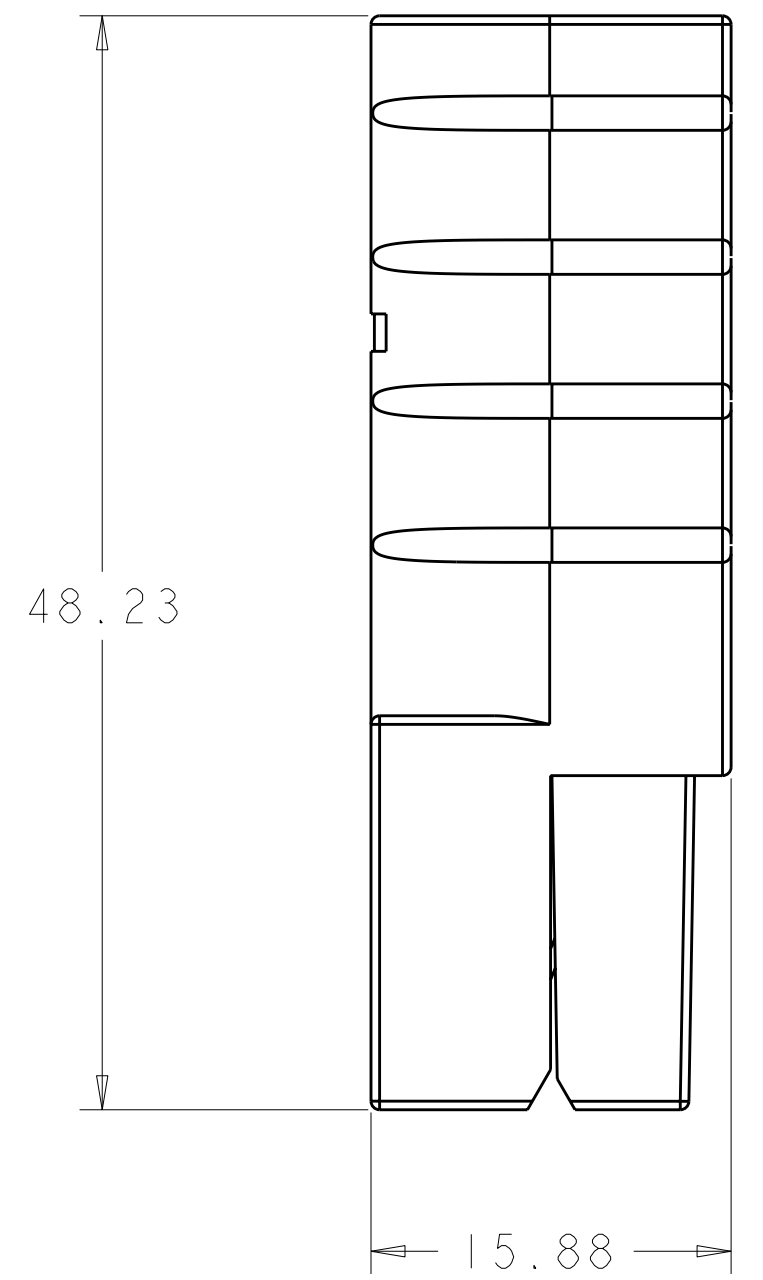
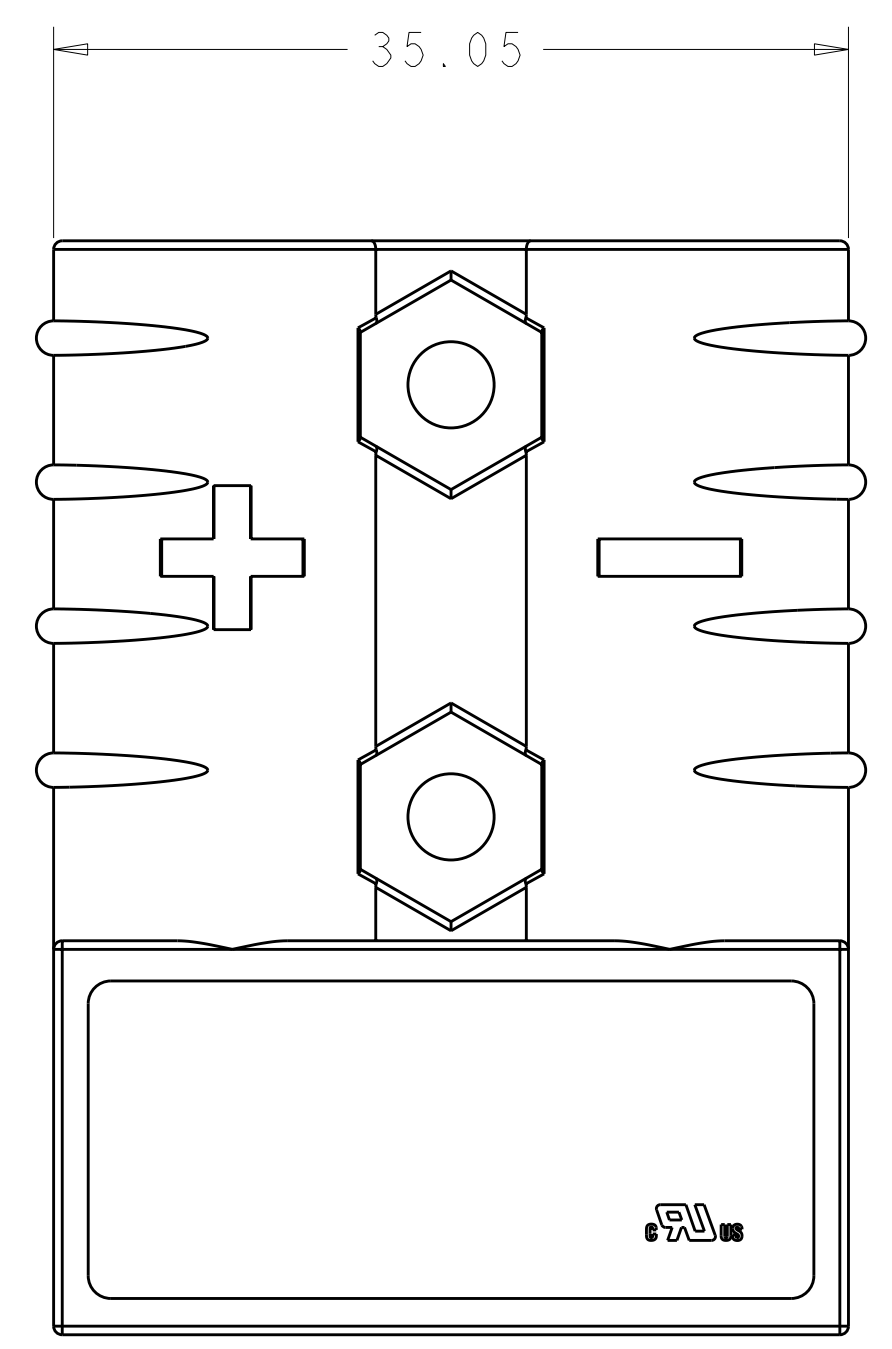
Tel: +86-755-8981 8866 Fax: +86-755-8427 6832

Email & Skype: info@chipsmall.com Web: www.chipsmall.com

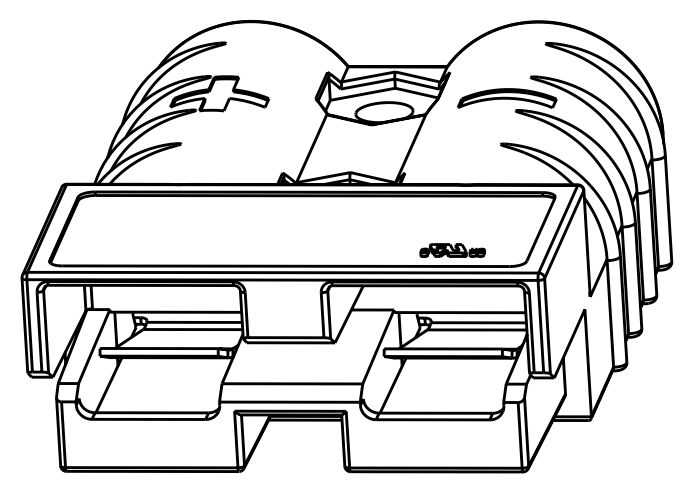
Address: A1208, Overseas Decoration Building, #122 Zhenhua RD., Futian, Shenzhen, China



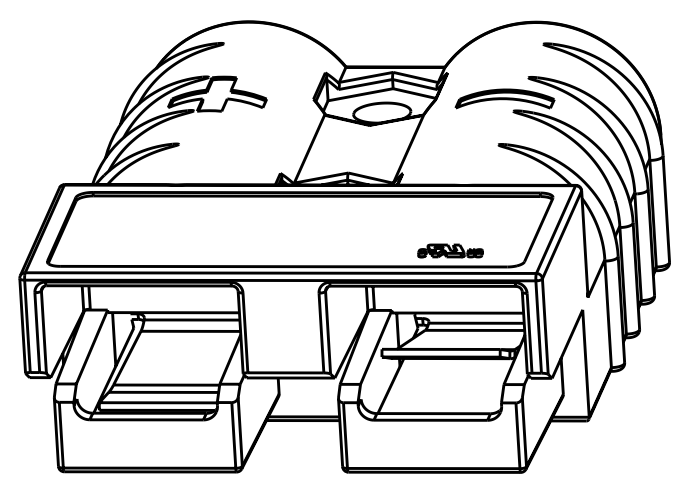
LOC	DIST	REVISIONS			
CM	00	REV	DATE	DWN	APVD
		A3	REVISED PER ECO-11-004820	11MAR2011	RK HMR



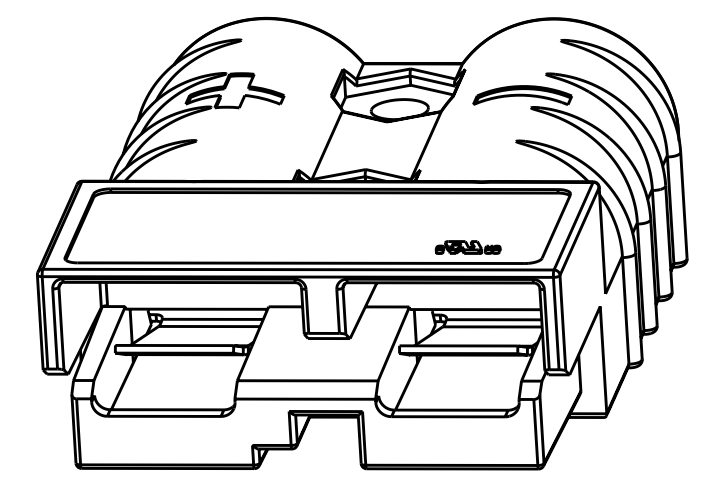
1. THIS PRODUCT HAS PASSED VERIFICATION AND AGENCY APPROVALS TESTING AND IS COMPONENT RECOGNIZED PER UL 1977 AND CSA 22.2. TE CONNECTIVITY PRODUCT QUALIFICATION TESTING IS NOT YET COMPLETED.



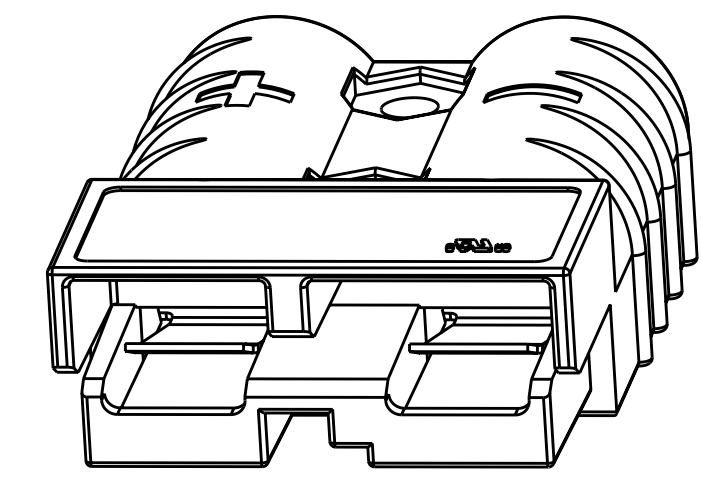
647845-3
SCALE 2:1



647845-4 AND 647845-7
SCALE 2:1



647845-5
SCALE 2:1



647845-8
SCALE 2:1

YELLOW	647845-8
BLACK	647845-7
BLUE	647845-5
GRAY	647845-4
RED	647845-3
COLOR	PART NUMBER



THIS DRAWING IS A CONTROLLED DOCUMENT.		DWN SHANE WUEST 18JUN2001	TE Connectivity
DIMENSIONS: mm		CHK K. KETELSLEGER 18JUN2001	
TOLERANCES UNLESS OTHERWISE SPECIFIED:		APVD K. KETELSLEGER 18JUN2001	NAME
0 PLC ±	1 PLC ±0.13	PRODUCT SPEC	CONNECTOR ASSEMBLY, AMP POWER SERIES 50
2 PLC ±0.13	3 PLC ±	APPLICATION SPEC	
4 PLC ±	ANGLES ±	WEIGHT	SIZE CAGE CODE DRAWING NO RESTRICTED TO
MATERIAL	FINISH	CUSTOMER DRAWING	A100779C-647845
		SCALE 2:1	SHEET 1 OF 1 REV A3