



Chipsmall Limited consists of a professional team with an average of over 10 year of expertise in the distribution of electronic components. Based in Hongkong, we have already established firm and mutual-benefit business relationships with customers from,Europe,America and south Asia,supplying obsolete and hard-to-find components to meet their specific needs.

With the principle of “Quality Parts,Customers Priority,Honest Operation,and Considerate Service”,our business mainly focus on the distribution of electronic components. Line cards we deal with include Microchip,ALPS,ROHM,Xilinx,Pulse,ON,Everlight and Freescale. Main products comprise IC,Modules,Potentiometer,IC Socket,Relay,Connector.Our parts cover such applications as commercial,industrial, and automotives areas.

We are looking forward to setting up business relationship with you and hope to provide you with the best service and solution. Let us make a better world for our industry!



Contact us

Tel: +86-755-8981 8866 Fax: +86-755-8427 6832

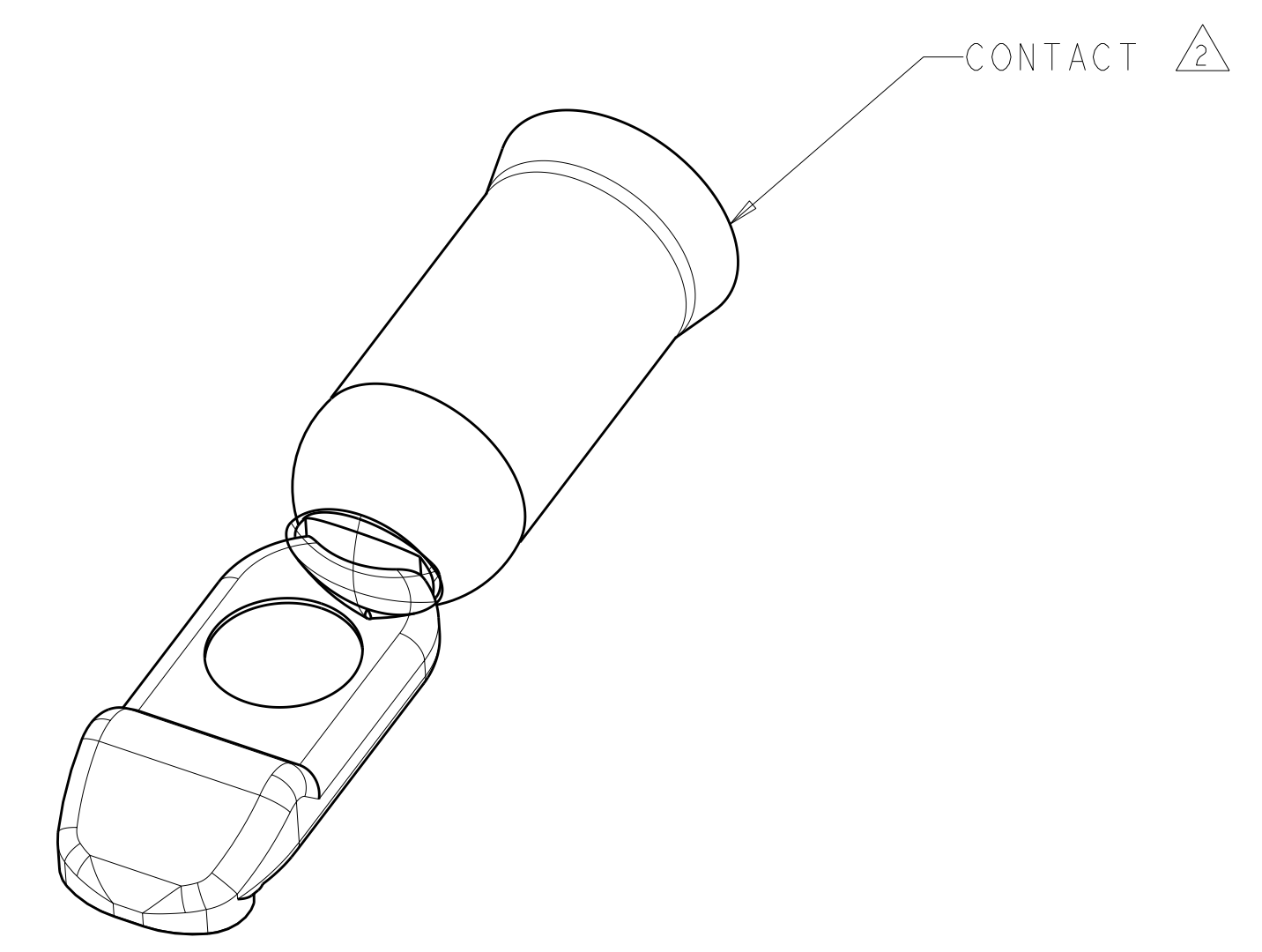
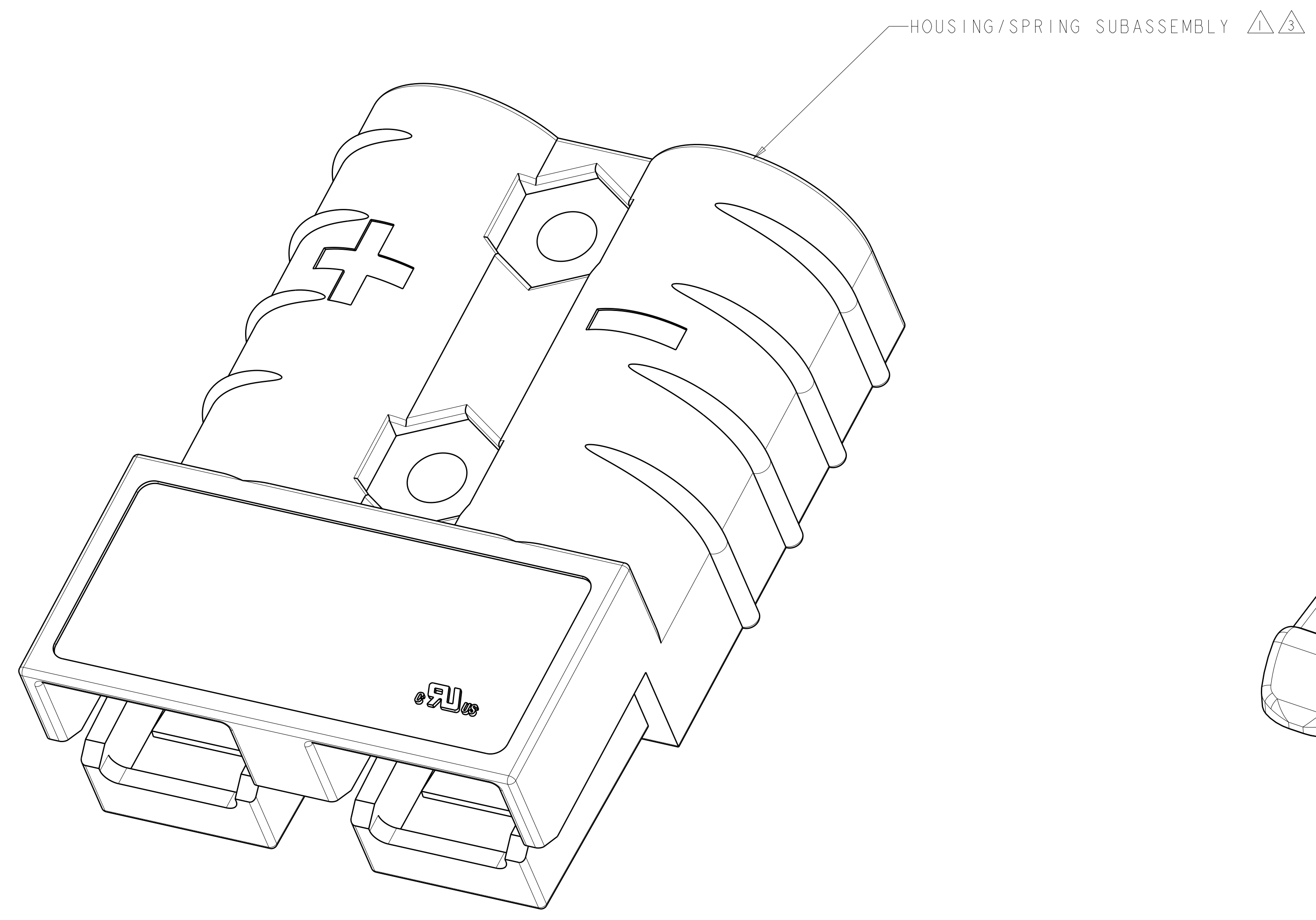
Email & Skype: info@chipsmall.com Web: www.chipsmall.com

Address: A1208, Overseas Decoration Building, #122 Zhenhua RD., Futian, Shenzhen, China



LOC	DIST	REVISIONS					
CM	00	P	LTR	DESCRIPTION	DATE	DWN	APVD
		01		REVISED PER ECR-10-010379	25MAY2010	HMR	JR

- △ HOUSING MATERIAL: POLYCARBONATE UL 94 V-0
- △ CONTACT MATERIAL: COPPER
PLATING: SILVER
- △ 647891-4 (COLOR GRAY) AND 647891-7 (COLOR BLACK)
KEY DETAIL ARE SHOWN.
- 4. A KIT INCLUDES 1 HOUSING SPRING ASSEMBLY AND 2 CONTACTS.



647878-1	647845-8 (YELLOW)	647891-8
647878-1	647845-7 (BLACK)	647891-7
647878-1	647845-5 (BLUE)	647891-5
647878-1	647845-4 (GRAY)	647891-4
647878-1	647845-3 (RED)	647891-3
△ CONTACT	△ HOUSING/SPRING SUBASSEMBLY	KIT P/N

<small>THIS DRAWING IS UNPUBLISHED. RELEASED FOR PUBLICATION. ALL RIGHTS RESERVED. THIS IS SUBJECT TO CHANGE WITHOUT NOTICE AND WITHOUT OBLIGATION. SHOULD BE CONTACTED FOR THE LATEST REVISION.</small>		DWN SHANE WIESE 15JUN2001 CHK K. KETELSLEGER 15JUN2001 APVD K. KETELSLEGER 15JUN2001	Tyco Electronics Harrisburg, PA 17105-3608
DIMENSIONS: mm 	TOLERANCES UNLESS OTHERWISE SPECIFIED: 0 PLC ± 1 PLC ± 2 PLC ± 3 PLC ± 4 PLC ± ANGLES ± FINISH	PRODUCT SPEC APPLICATION SPEC WEIGHT CUSTOMER DRAWING	NAME CONNECTOR KIT, AMP POWER SERIES 50, 8 AWG SIZE CAGE CODE DRAWING NO RESTRICTED TO A1 00779 C=647891 SCALE 5:1 SHEET 1 OF 1 REV 01