



Chipsmall Limited consists of a professional team with an average of over 10 year of expertise in the distribution of electronic components. Based in Hongkong, we have already established firm and mutual-benefit business relationships with customers from,Europe,America and south Asia,supplying obsolete and hard-to-find components to meet their specific needs.

With the principle of “Quality Parts,Customers Priority,Honest Operation,and Considerate Service”,our business mainly focus on the distribution of electronic components. Line cards we deal with include Microchip,ALPS,ROHM,Xilinx,Pulse,ON,Everlight and Freescale. Main products comprise IC,Modules,Potentiometer,IC Socket,Relay,Connector.Our parts cover such applications as commercial,industrial, and automotives areas.

We are looking forward to setting up business relationship with you and hope to provide you with the best service and solution. Let us make a better world for our industry!



Contact us

Tel: +86-755-8981 8866 Fax: +86-755-8427 6832

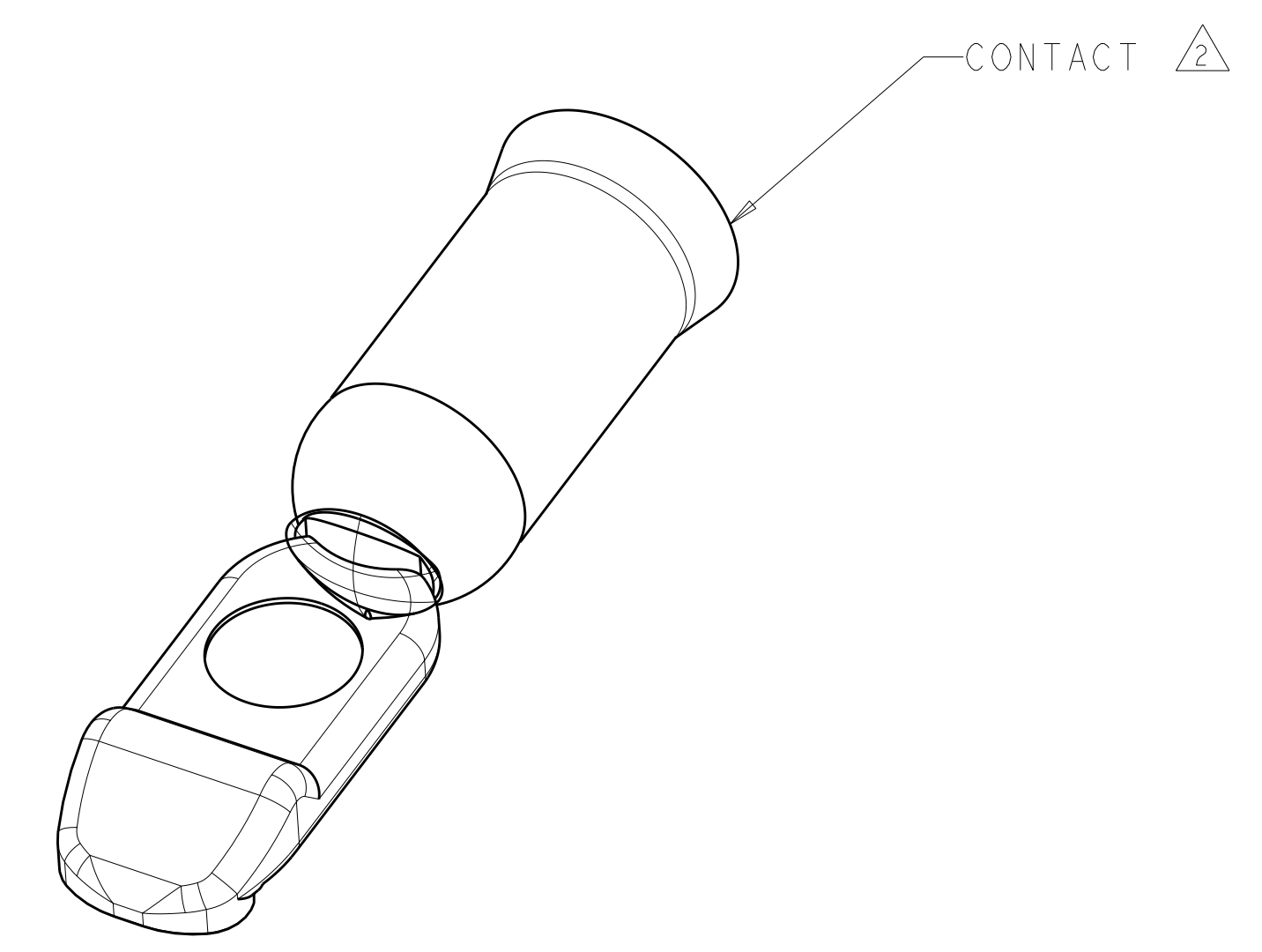
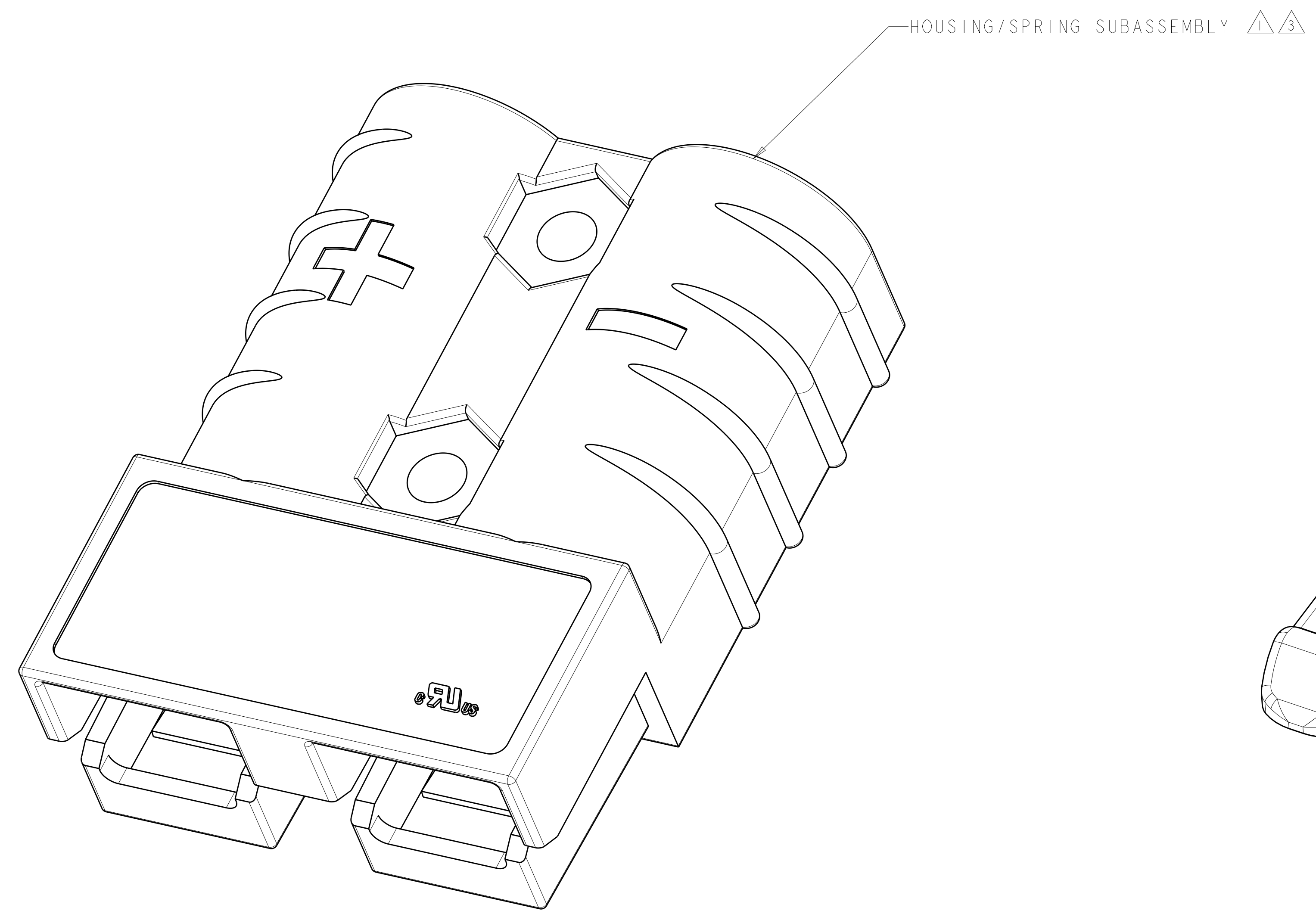
Email & Skype: info@chipsmall.com Web: www.chipsmall.com

Address: A1208, Overseas Decoration Building, #122 Zhenhua RD., Futian, Shenzhen, China



LOC	DIST	REVISIONS					
CM	00	P	LTB	DESCRIPTION	DATE	DWN	APVD
		P		REVISED PER ECO-11-005027	18MAR2011	RK	HMR

- ① HOUSING MATERIAL: POLYCARBONATE UL 94 V-0
- ② CONTACT MATERIAL: COPPER
PLATING: SILVER
- ③ 647893-4 (COLOR GRAY) AND 647893-7 (COLOR BLACK)
KEY DETAIL ARE SHOWN.
- 4. A KIT INCLUDES 1 HOUSING SPRING ASSEMBLY AND 2 CONTACTS.
- 5. THIS PRODUCT HAS PASSED VERIFICATION AND AGENCY APPROVALS TESTING AND IS COMPONENT RECOGNIZED PER UL 1977 AND CSA 22.2. TE CONNECTIVITY PRODUCT QUALIFICATION TESTING IS NOT YET COMPLETE.



647879-1	647845-8 (YELLOW)	647893-8
647879-1	647845-7 (BLACK)	647893-7
647879-1	647845-5 (BLUE)	647893-5
647879-1	647845-4 (GRAY)	647893-4
647879-1	647845-3 (RED)	647893-3
② CONTACT	① HOUSING/SPRING SUBASSEMBLY	KIT P/N

THIS DRAWING IS A CONTROLLED DOCUMENT.		DWN SHANE WIESE 15JUN2001	TE Connectivity
DIMENSIONS: mm		CHK K. KETELSLEGER 15JUN2001	
TOLERANCES UNLESS OTHERWISE SPECIFIED:		APVD K. KETELSLEGER 15JUN2001	NAME CONNECTOR KIT, AMP POWER SERIES 50, 10-12 AWG
0 PLC ± 1 PLC ± 2 PLC ± 3 PLC ± 4 PLC ± ANGLES ±		PRODUCT SPEC	SIZE CAGE CODE DRAWING NO
MATERIAL FINISH		APPLICATION SPEC	RESTRICTED TO
		WEIGHT	A1100779C=647893
		CUSTOMER DRAWING	SCALE 5:1 SHEET 1 OF 1 REV P