



Chipsmall Limited consists of a professional team with an average of over 10 year of expertise in the distribution of electronic components. Based in Hongkong, we have already established firm and mutual-benefit business relationships with customers from,Europe,America and south Asia,supplying obsolete and hard-to-find components to meet their specific needs.

With the principle of “Quality Parts,Customers Priority,Honest Operation,and Considerate Service”,our business mainly focus on the distribution of electronic components. Line cards we deal with include Microchip,ALPS,ROHM,Xilinx,Pulse,ON,Everlight and Freescale. Main products comprise IC,Modules,Potentiometer,IC Socket,Relay,Connector.Our parts cover such applications as commercial,industrial, and automotives areas.

We are looking forward to setting up business relationship with you and hope to provide you with the best service and solution. Let us make a better world for our industry!



Contact us

Tel: +86-755-8981 8866 Fax: +86-755-8427 6832

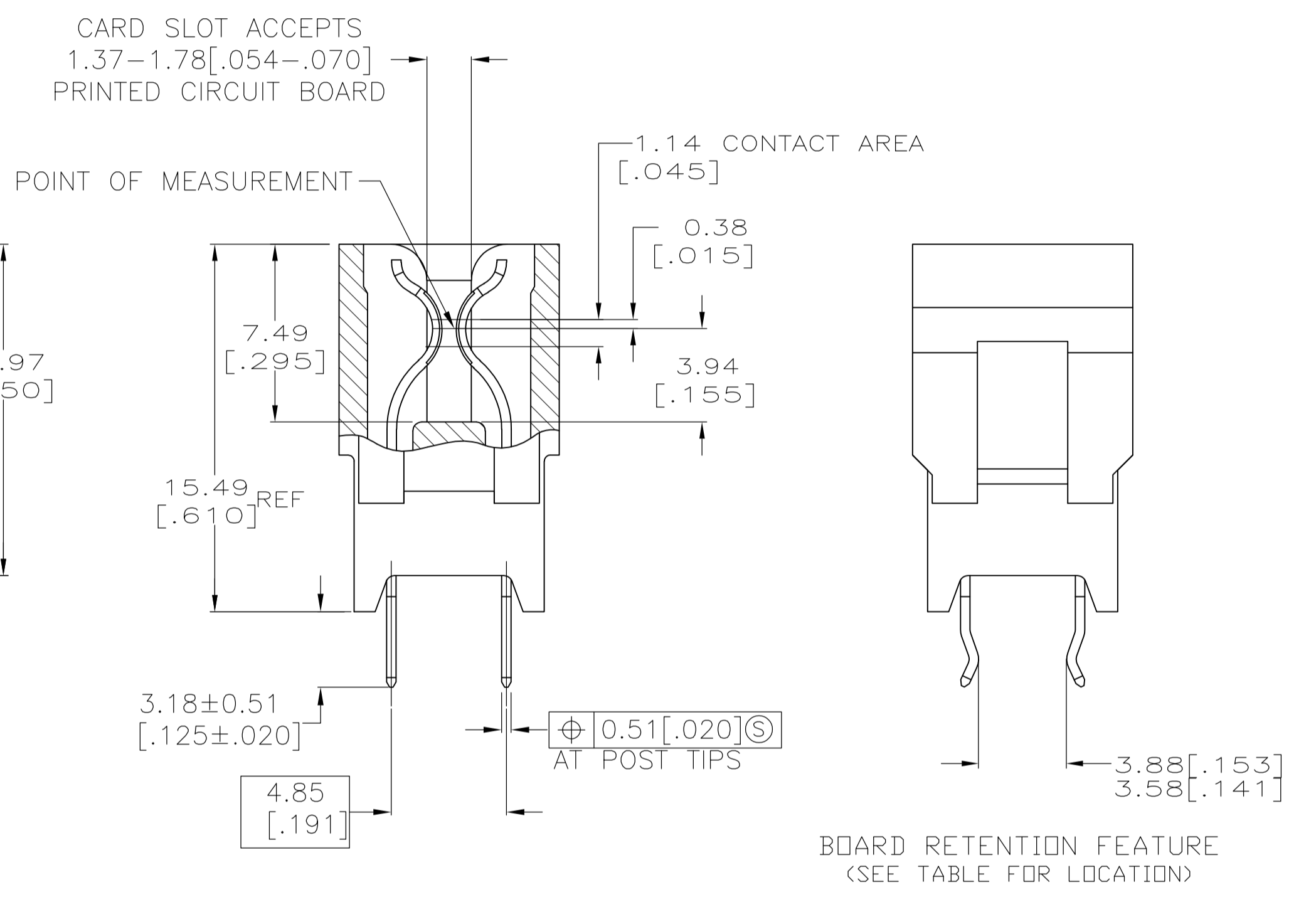
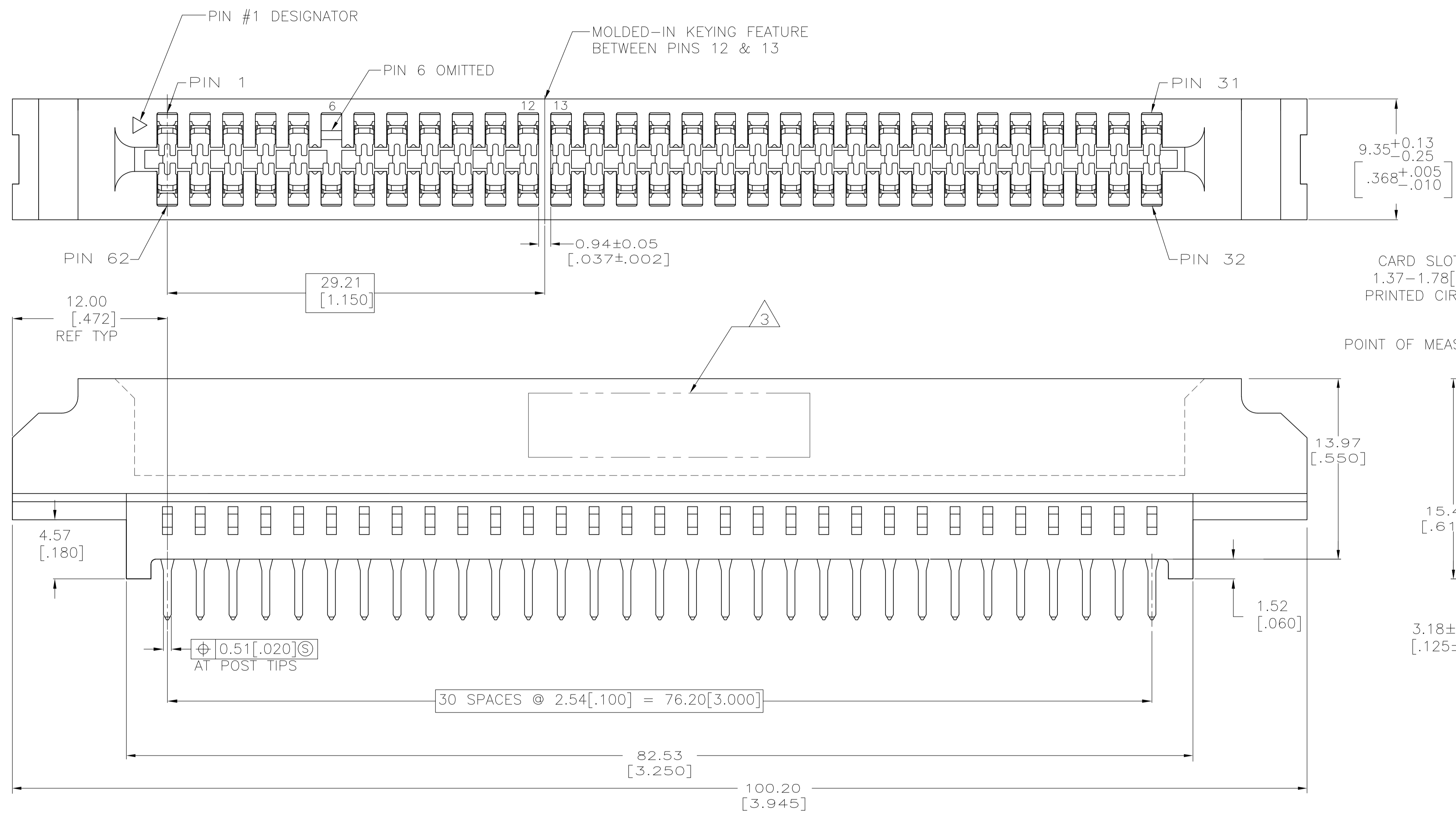
Email & Skype: info@chipsmall.com Web: www.chipsmall.com

Address: A1208, Overseas Decoration Building, #122 Zhenhua RD., Futian, Shenzhen, China



LOC		DIST		REVISIONS			
F	LTR	DESCRIPTION	DATE	DWN	APVD		
B		ECO-07-026535	01APR2008	LAM	AWF		

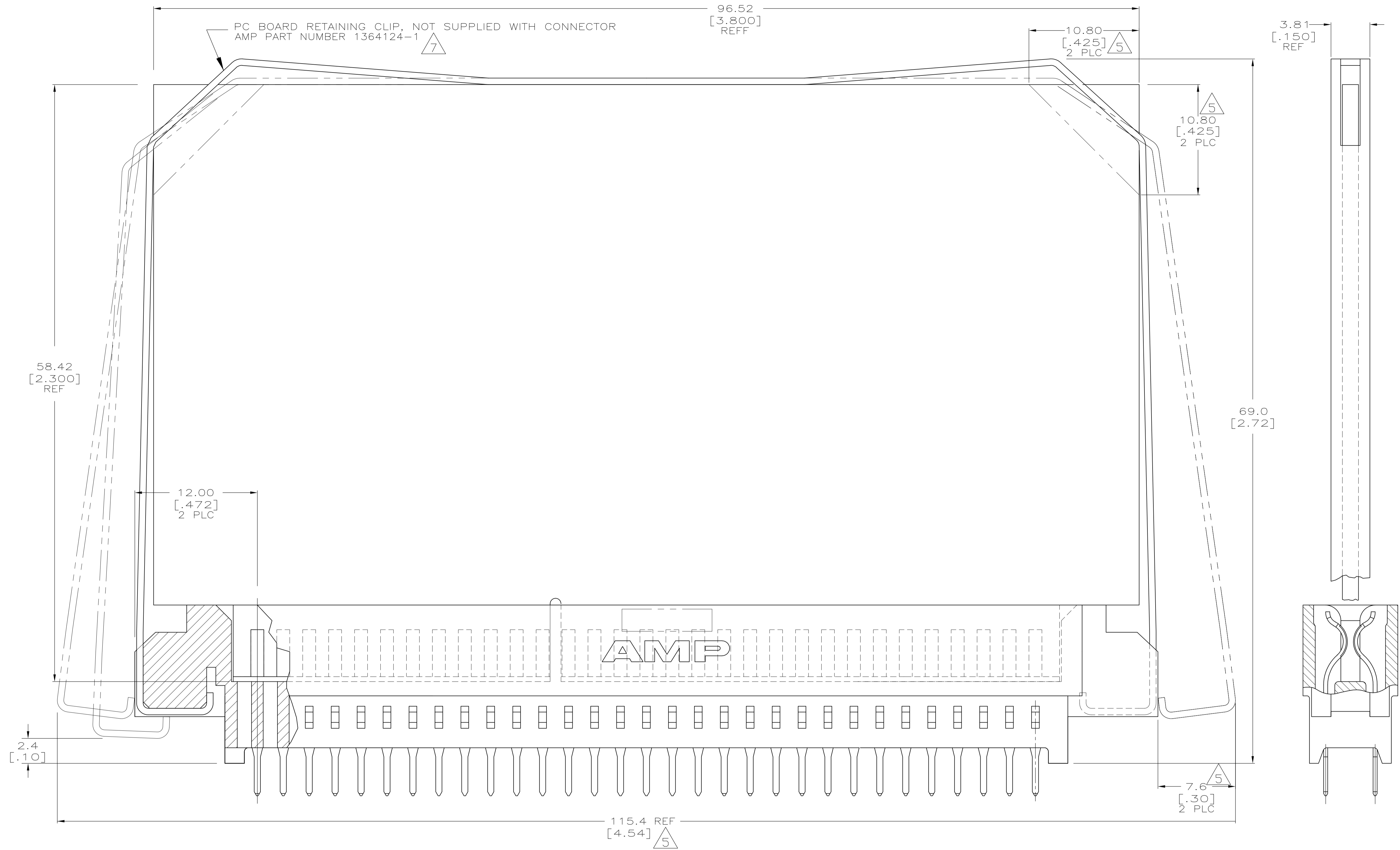
- MATERIAL:
HOUSING: GLASS FILLED POLYESTER; COLOR: BLACK.
CONTACT: HIGH CONDUCTIVITY COPPER ALLOY
- FINISH:
0.00038[.00015] MIN GOLD PLATE IN CONTACT AREA,
0.00254[.000100] MIN MATTE TIN ON SOLDER POSTS, ALL
OVER 0.00127[.000050] MIN NICKEL
- AMP LOGO, TE PART NUMBER, DATE CODE AND CSA LOGO INK
STAMPED WHITE (HOT STAMPED OR LAZER PRINTED) IN THE APPROXIMATE
AREA SHOWN, EITHER SIDE PERMISSABLE, WHEN HOUSING SIZE PERMITS
- DATUMS AND BASIC DIMENSIONS ESTABLISHED BY CUSTOMER
- KEEP OUT ZONE APPLIES TO BOTH SIDES OF PC BOARD (FRONT AND BACK)
- 4 OUNCE COPPER REQUIRED
- RETAINING CLIP: STAINLESS STEEL, SOLD SEPARATELY, NOT INCLUDED WITH CONNECTOR
- ELECTRICAL PERFORMANCE OF THIS CONNECTOR IS DIRECTLY RELATED TO THE VRM 9.1
POWER MODULE BOARD DESIGN AND MAY BE AFFECTED BY CHANGES TO THAT DESIGN
- CONNECTOR PERFORMANCE IS BASED UPON INFORMATION FROM THE VRM 9.0 AND
9.1 MODULE BOARD DESIGN STANDARD
- CONNECTORS SHOWN ARE USED IN APPLICATIONS WITH VRM MODULES WEIGHING UP TO
6 OUNCES. ALTERNATIVE CONNECTOR AND LATCHING METHOD IS AVAILABLE FOR VRM
MODULES WEIGHING 3 OUNCES OR LESS. CONSULT TYCO ELECTRONICS ENGINEERING
FOR ADDITIONAL INFORMATION



OBSELETE	6489162-3
OBSELETE	6489162-2
	PART NUMBER

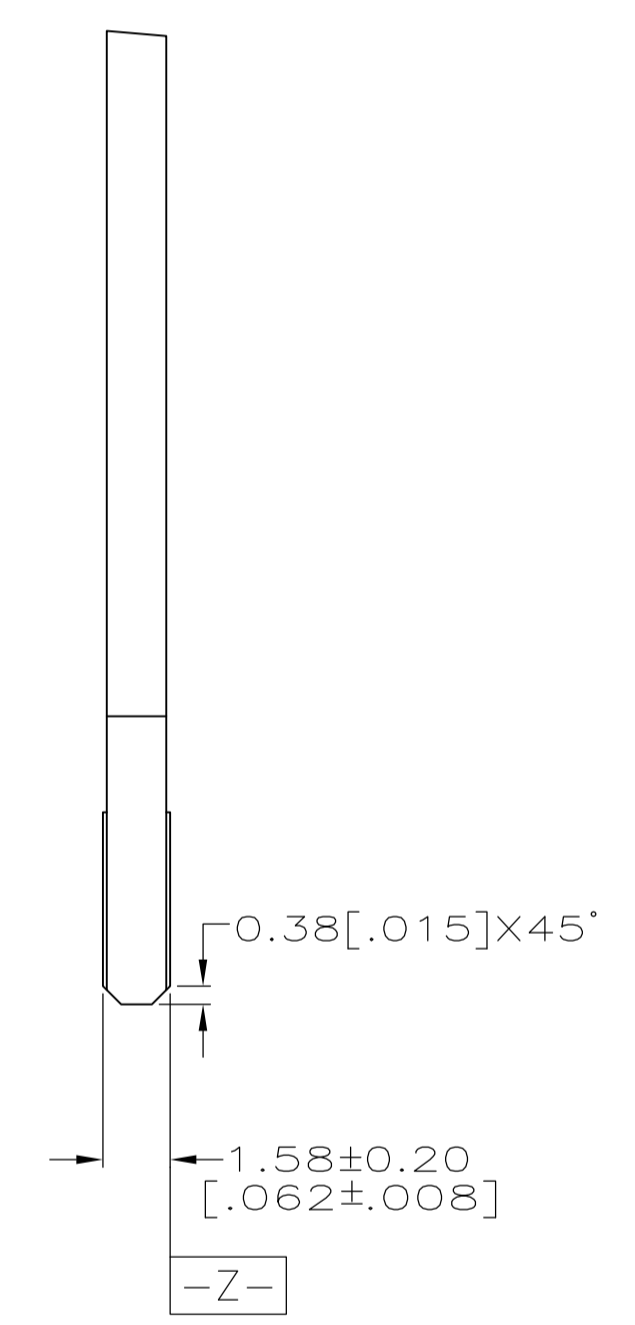
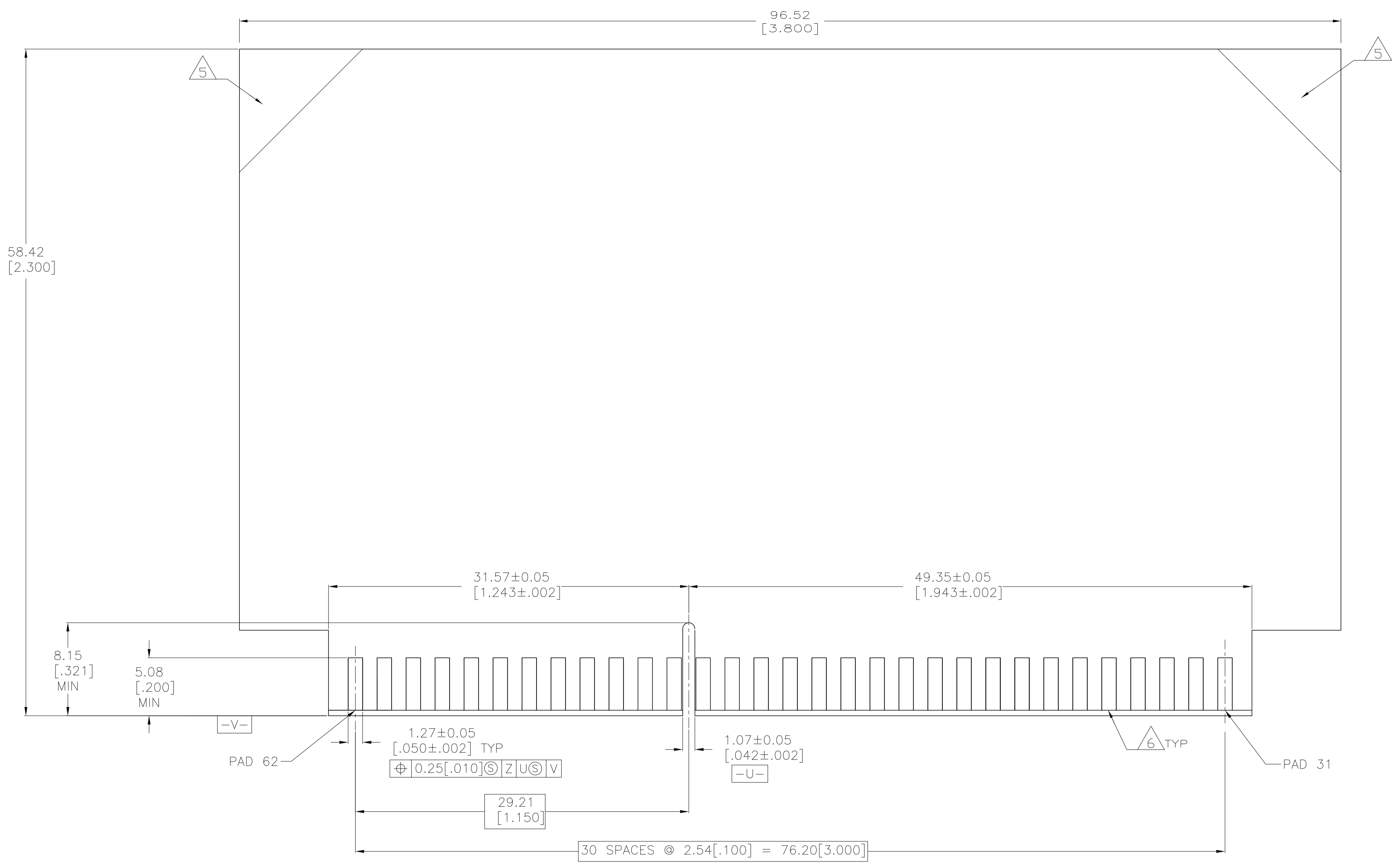
9.1,+12V	2,3,29,30,33,34,60,61	31	6489162-1
VRM DESIGNATION	BOARD RETENTION FEATURE LOCATION	NO OF DUAL POSN	PART NUMBER

THIS DRAWING IS A CONTROLLED DOCUMENT.		DWN AWF/L.A.MAYER 01APR2008	Tyco Electronics Corporation Harrisburg, PA 17105-3608	
DIMENSIONS: mm [INCHES]		CHK A.W.FRANTUM 01APR2008	NAME S.FLICKINGER	
TOLERANCES UNLESS OTHERWISE SPECIFIED: 0 PLC ± - 1 PLC ± - 2 PLC ± 0.13[.005] 3 PLC ± - 4 PLC ± - ANGLES ± -		APVD S.FLICKINGER 01APR2008	PRODUCT SPEC 108-9039-2	
MATERIAL SEE NOTE 1		FINISH SEE NOTE 2	APPLICATION SPEC 114-13018	RESTRICTED TO
CUSTOMER DRAWING		WEIGHT -	SIZE A1	SCALE 5:1 SHEET 1 OF 3 REV B

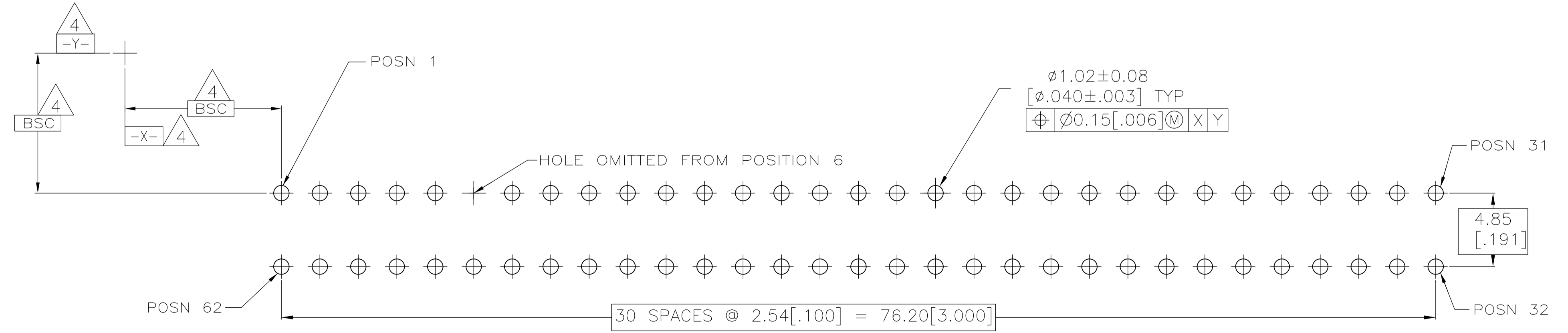


THIS DRAWING IS A CONTROLLED DOCUMENT.		DIN AWF/L.A.MAYER 01APR2008 Cik A.W.FRANTUM 01APR2008		Tyco Electronics Corporation Harrisburg, PA 17105-3608	
DIMENSIONS: mm [INCHES]		TOLERANCES UNLESS OTHERWISE SPECIFIED: 0 PLC ± - 1 PLC ± - 2 PLC ± 0.13[.005] 3 PLC ± - 4 PLC ± - ANGLES ± -		NAME: S.FLICKINGER PRODUCT SPEC: 108-9039-2 APPLICATION SPEC: 114-13018	
MATERIAL: SEE NOTE 1		FINISH: SEE NOTE 2		SIZE: A1 CAGE CODE: 00779 DRAWING NO: 6489162 RESTRICTED TO: -	
CUSTOMER DRAWING				SCALE: 5:1 SHEET 2 OF 3 REV B	

LOC		DIST		REVISIONS			
P	LTR	DESCRIPTION	DATE	DN	APVD		
AA	00	SEE SHEET 1	-	-	-		



RECOMMENDED MATING BOARD EDGE CONFIGURATION



RECOMMENDED PC BOARD HOLE LAYOUT

THIS DRAWING IS A CONTROLLED DOCUMENT.		DIN AWF/L.A.MAYER 01APR2008	Tyco Electronics Corporation Harrisburg, PA 17105-3608
DIMENSIONS: mm [INCHES]		CHK A.W.FRANTUM 01APR2008	
TOLERANCES UNLESS OTHERWISE SPECIFIED:		APVD S.FLICKINGER 01APR2008	NAME
0. PLC ± -			CONNECTOR ASSEMBLY, HIGH CURRENT CARD EDGE, DUAL POSITION, 2.54[.100] CENTERLINE
1. PLC ± -			PRODUCT SPEC
2. PLC ± ± 0.13[.005]			108-9039-2
3. PLC ± -			APPLICATION SPEC
4. PLC ± -			114-13018
ANGLES ± -			SIZE CAGE CODE DRAWING NO RESTRICTED TO
MATERIAL SEE NOTE 1	FINISH SEE NOTE 2	WEIGHT -	A1 00779 C=6489162
CUSTOMER DRAWING		SCALE 5:1	SHEET 3 OF 3 REV B