



Chipsmall Limited consists of a professional team with an average of over 10 year of expertise in the distribution of electronic components. Based in Hongkong, we have already established firm and mutual-benefit business relationships with customers from,Europe,America and south Asia,supplying obsolete and hard-to-find components to meet their specific needs.

With the principle of "Quality Parts,Customers Priority,Honest Operation,and Considerate Service",our business mainly focus on the distribution of electronic components. Line cards we deal with include Microchip,ALPS,ROHM,Xilinx,Pulse,ON,Everlight and Freescale. Main products comprise IC,Modules,Potentiometer,IC Socket,Relay,Connector.Our parts cover such applications as commercial,industrial, and automotives areas.

We are looking forward to setting up business relationship with you and hope to provide you with the best service and solution. Let us make a better world for our industry!



Contact us

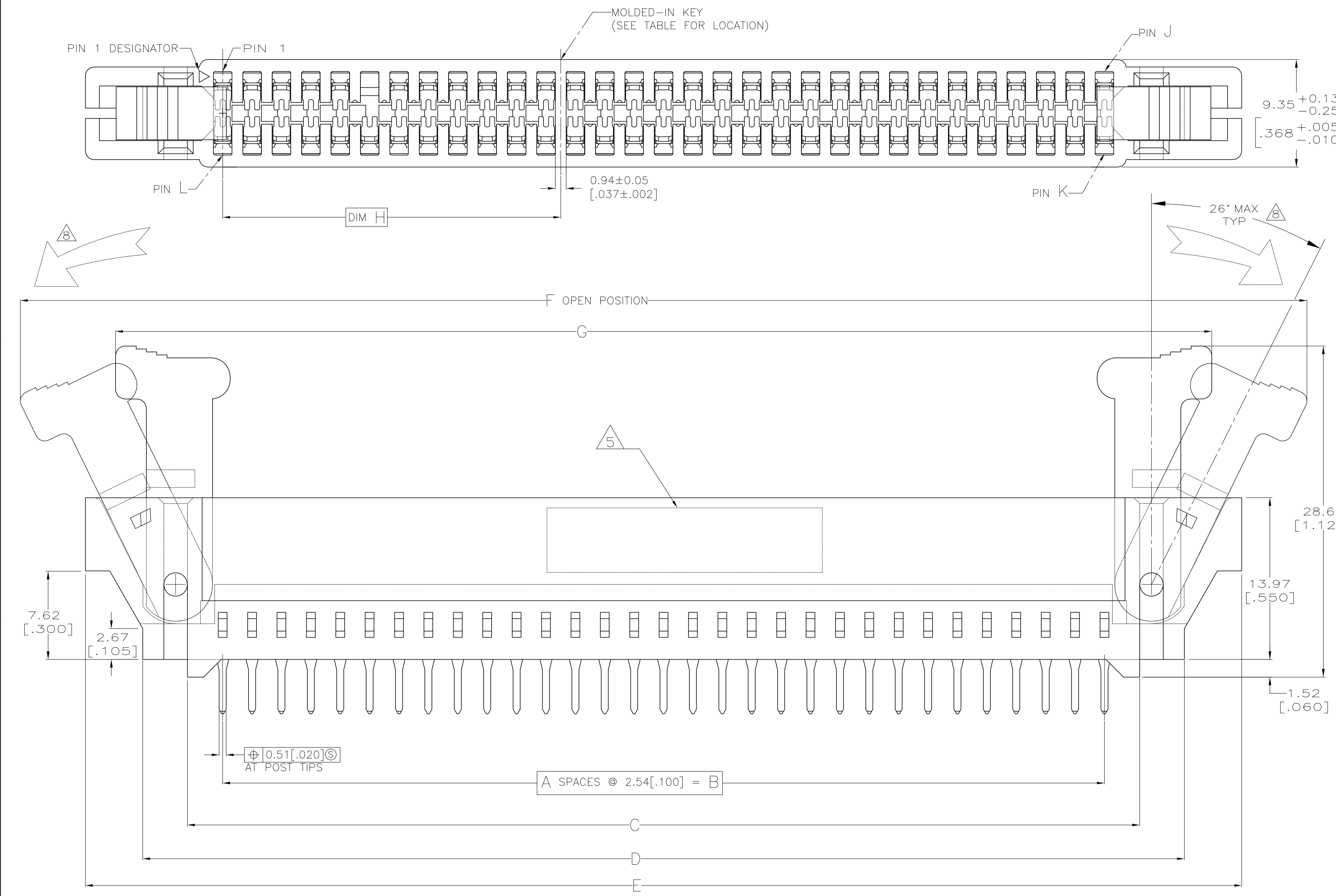
Tel: +86-755-8981 8866 Fax: +86-755-8427 6832

Email & Skype: info@chipsmall.com Web: www.chipsmall.com

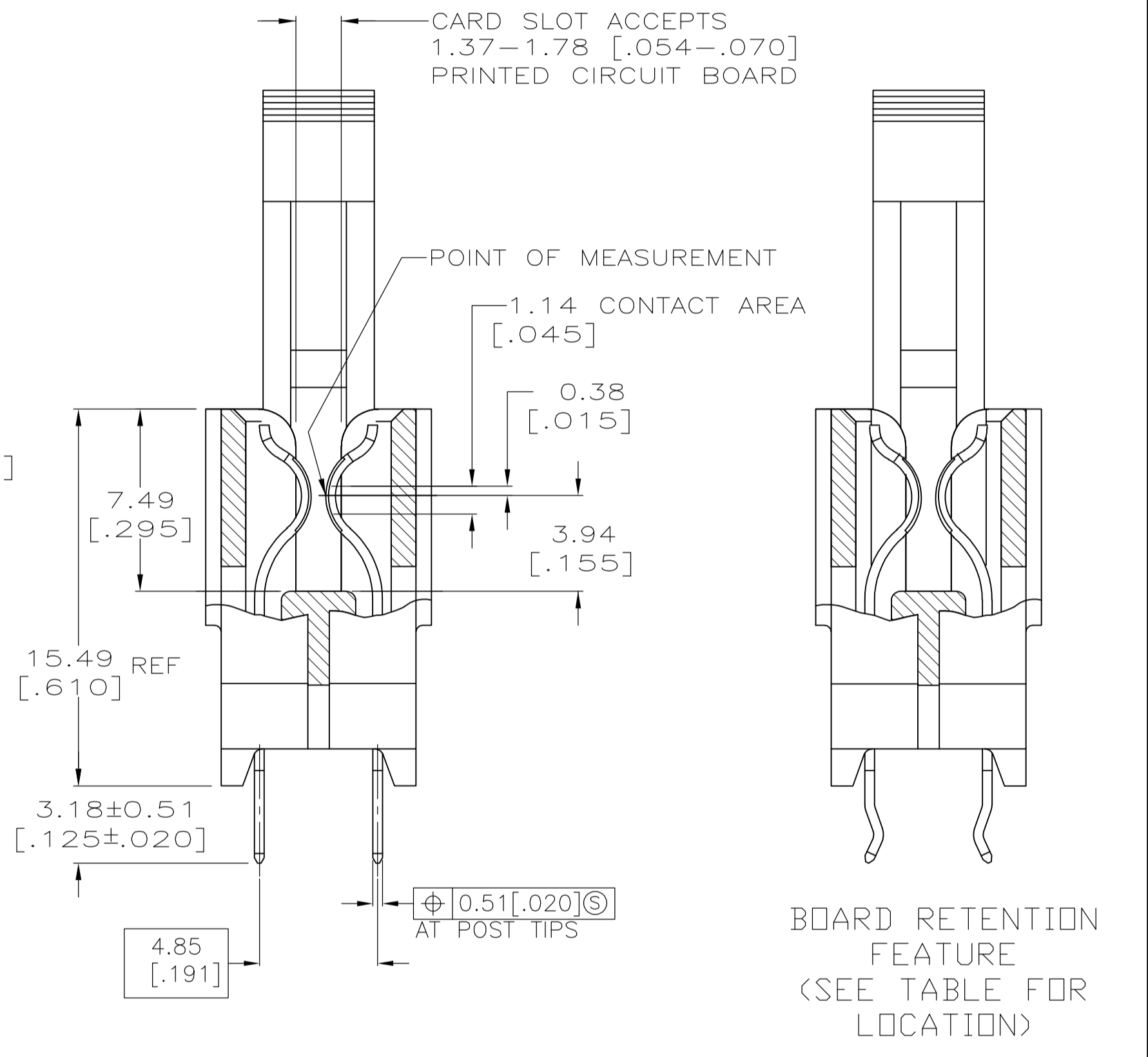
Address: A1208, Overseas Decoration Building, #122 Zhenhua RD., Futian, Shenzhen, China



LOC		DIST		REVISIONS			
F	LTR	DESCRIPTION	DATE	DWN	APVD		
E		ECO-08-029491	04MAR2008	LAM	AWF		
E1		REVISED PER ECO-10-000444	19JAN10	KK	HMR		



- MATERIAL:
HOUSING: GLASS FILLED POLYESTER; COLOR: BLACK.
CONTACT: HIGH CONDUCTIVITY COPPER ALLOY
- FINISH:
(SEE TABLE) GOLD PLATE IN CONTACT AREA,
0.00254[.000100] MIN MATTE TIN ON SOLDER POSTS, ALL
OVER 0.00127[.000050] MIN NICKEL
- 0.00038[.000015] MIN GOLD
- 0.00076[.000030] MIN GOLD
- AMP LOGO, TE PART NUMBER, DATE CODE AND CSA LOGO INK
STAMPED WHITE (HOT STAMPED OR LAZER PRINTED) IN THE APPROXIMATE
AREA SHOWN, EITHER SIDE PERMISSIBLE, WHEN HOUSING SIZE PERMITS
- DATUMS AND BASIC DIMENSIONS ESTABLISHED BY CUSTOMER
- CONNECTORS SHOWN ARE USED IN APPLICATIONS WITH VRM MODULES WEIGHING
3 OUNCES OR LESS. ALTERNATE CONNECTOR AND LATCH METHOD IS AVAILABLE FOR
VRM MODULES WEIGHING UP TO 6 OUNCES.
- CAUTION: LATCHES ARE INTENDED FOR RETENTION OF PC BOARD TO CONNECTOR.
DO NOT ATTEMPT TO FULLY EJECT PC BOARD FROM CONNECTOR WHILE DISENGAGING
LATCHES. DAMAGE TO LATCHES AND OR CONNECTOR MAY OCCUR.
- OBSOLETE PARTS: OBSOLETE CIS STREAMLINING PER D.RENAUD/D.SINISI



OBSOLETE	6489165-2
	PART NUMBER

	△	9.1, +12 V	2,3,29,30,33,34,60,61	12 & 13	6	49.35 [1.943]	31.50 [1.240]	62	32	31	29.21 [1.150]	97.10 [3.823]	113.00 [4.449]	99.92 [3.934]	90.02 [3.544]	82.52 [3.249]	76.20 [3.000]	30	31	6489165-6	
OBSOLETE	△	9.1, +12 V	2,3,29,30,33,34,60,61	12 & 13	6	49.35 [1.943]	31.50 [1.240]	62	32	31	29.21 [1.150]	97.10 [3.823]	113.00 [4.449]	99.92 [3.934]	90.02 [3.544]	82.52 [3.249]	76.20 [3.000]	30	31	6489165-5	
	△	-	2,3,12,13,16,17,26,27	24 & 25	28	26.49 [1.043]	11.18 [.440]	28	15	14	8.89 [.350]	53.92 [2.123]	69.82 [2.749]	56.74 [2.234]	46.84 [1.844]	39.34 [1.549]	33.02 [1.300]	13	14	6489165-4	
	△	9.05, +12 V	2,3,29,30,33,34,60,61	11 & 12	6	51.89 [2.043]	28.96 [1.140]	62	32	31	26.67 [1.050]	97.10 [3.823]	113.00 [4.449]	99.92 [3.934]	90.02 [3.544]	82.52 [3.249]	76.20 [3.000]	30	31	6489165-3	
	△	9.1, +12 V	2,3,29,30,33,34,60,61	12 & 13	6	49.35 [1.943]	31.50 [1.240]	62	32	31	29.21 [1.150]	97.10 [3.823]	113.00 [4.449]	99.92 [3.934]	90.02 [3.544]	82.52 [3.249]	76.20 [3.000]	30	31	6489165-1	
		FINISH	VRM DESIGNATION	RETENTION LOCATION	MOLDED-IN KEY	OMITTED PIN & HOLE	R	P	L	K	J	H	G	F	E	D	C	B	A	NO OF DUAL POSITIONS	PART NUMBER

THIS DRAWING IS A CONTROLLED DOCUMENT.

DIMENSIONS: mm [INCHES]

TOLERANCES UNLESS OTHERWISE SPECIFIED:

0 PLC	± .005
1 PLC	± .005
2 PLC	± 0.13[.005]
3 PLC	± .005
4 PLC	± .005
ANGLES	± .2°

MATERIAL: SEE NOTE 1

FINISH: SEE NOTE 2

AWF/L.A.MAYER 04MAR2008
A.W.FRANTUM 04MAR2008
S.FLICKINGER 04MAR2008

Tyco Electronics Corporation
Harrisburg, PA 17105-3608

CONNECTOR ASSEMBLY
STANDARD EDGE II, DUAL POSITION
2.54 [.100] CENTERLINE

108-9039-2

114-13018

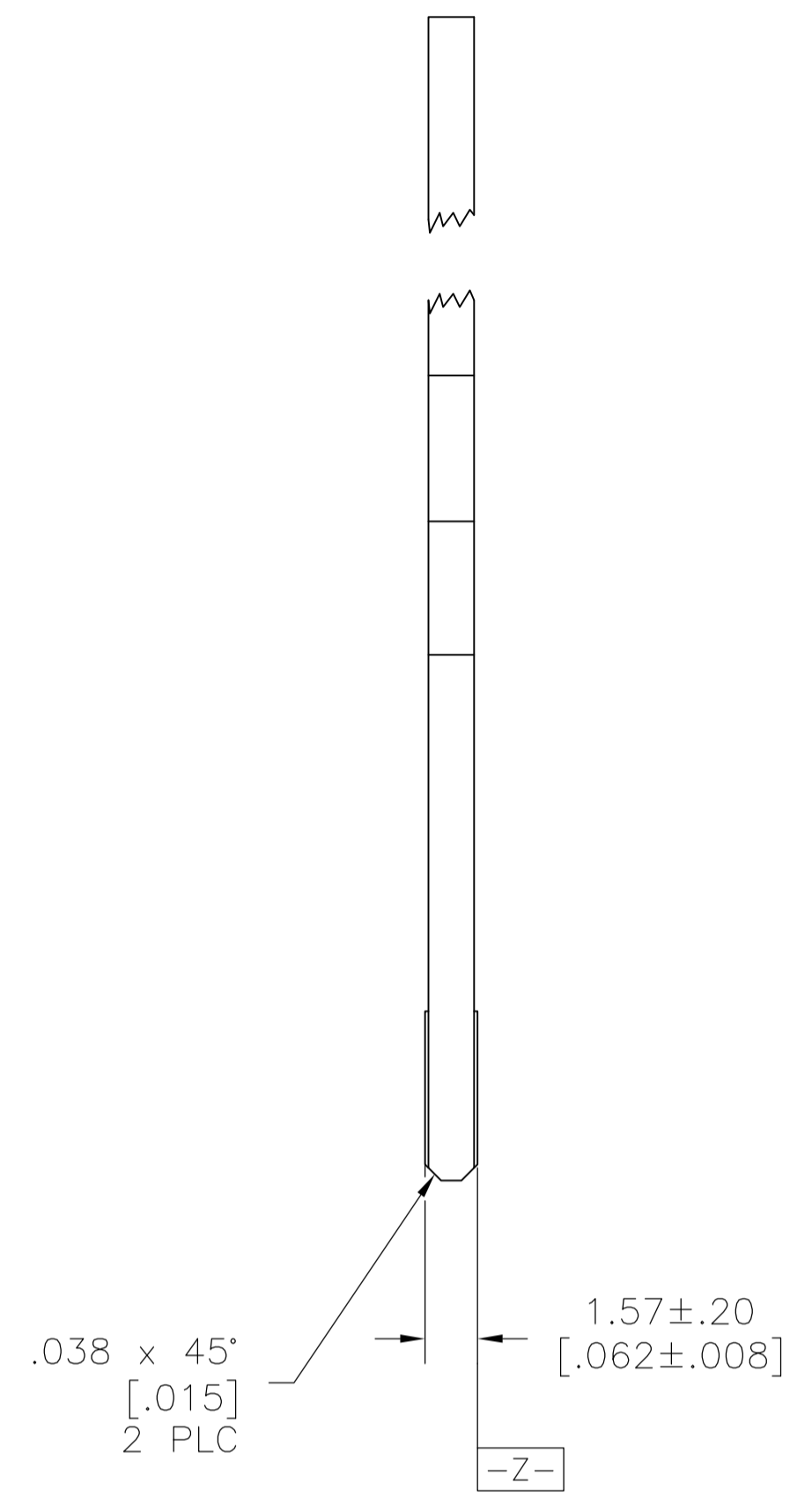
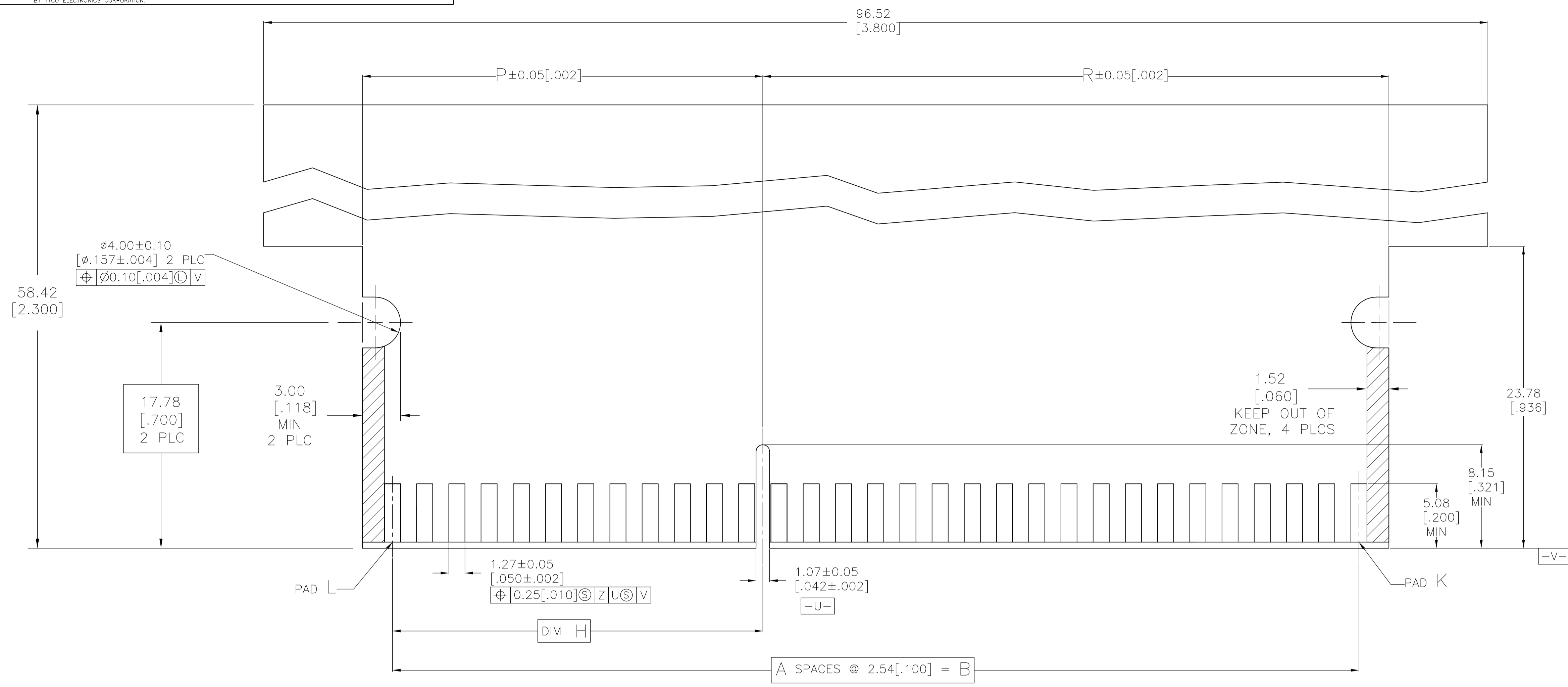
00779 C=6489165

CUSTOMER DRAWING

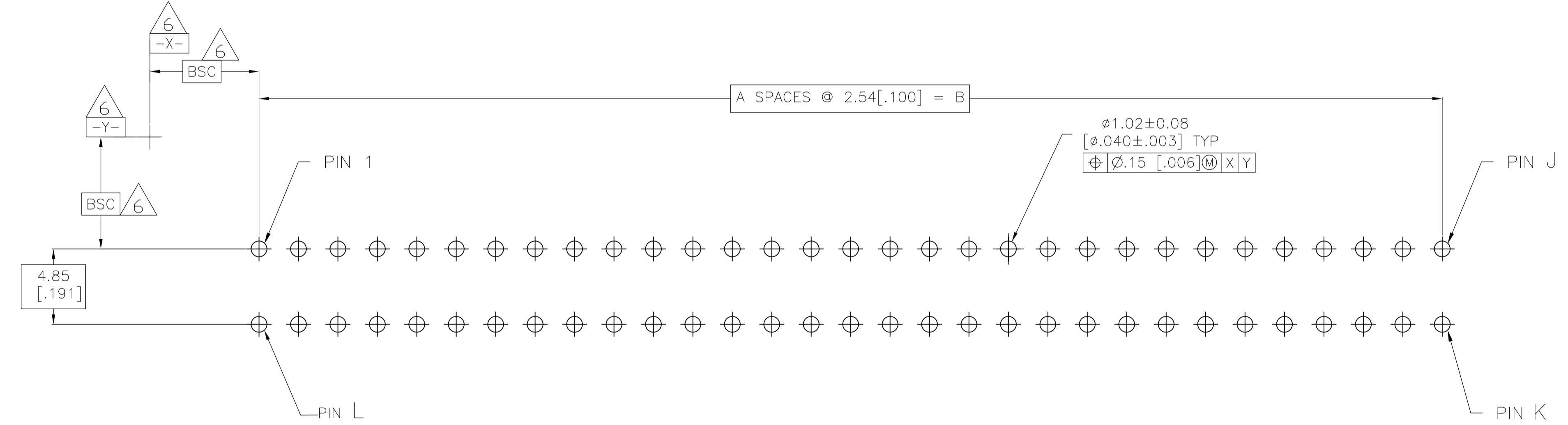
SCALE: 5:1

SHEET 1 OF 2

REV E1



RECOMMENDED MATING BOARD EDGE CONFIGURATION



RECOMMENDED PC BOARD HOLE LAYOUT

THIS DRAWING IS A CONTROLLED DOCUMENT.		DIN AWF/L.A.MAYER 04MAR2008	Tyco Electronics Corporation Harrisburg, PA 17105-3608	
DIMENSIONS: mm [INCHES]		CHK A.W.FRANTUM 04MAR2008	Tyco Electronics	
TOLERANCES UNLESS OTHERWISE SPECIFIED:		APVD S.FLICKINGER 04MAR2008	NAME CONNECTOR ASSEMBLY STANDARD EDGE II, DUAL POSITION 2.54 [0.100] CENTERLINE	
0 PLC ± -	1 PLC ± -	PRODUCT SPEC 108-9039-2	SIZE A1	
2 PLC ± 0.13[005]	3 PLC ± -	APPLICATION SPEC 114-13018	DRAWING NO. 00779	
4 PLC ± -	ANGLES ± ± °	RESTRICTED TO	C=6489165	
MATERIAL SEE NOTE 1	FINISH SEE NOTE 2	WEIGHT -	CUSTOMER DRAWING	
		SCALE 5:1	SHEET 2 OF 2	
		REV E1		