



Chipsmall Limited consists of a professional team with an average of over 10 year of expertise in the distribution of electronic components. Based in Hongkong, we have already established firm and mutual-benefit business relationships with customers from,Europe,America and south Asia,supplying obsolete and hard-to-find components to meet their specific needs.

With the principle of “Quality Parts,Customers Priority,Honest Operation,and Considerate Service”,our business mainly focus on the distribution of electronic components. Line cards we deal with include Microchip,ALPS,ROHM,Xilinx,Pulse,ON,Everlight and Freescale. Main products comprise IC,Modules,Potentiometer,IC Socket,Relay,Connector.Our parts cover such applications as commercial,industrial, and automotives areas.

We are looking forward to setting up business relationship with you and hope to provide you with the best service and solution. Let us make a better world for our industry!



## Contact us

Tel: +86-755-8981 8866 Fax: +86-755-8427 6832

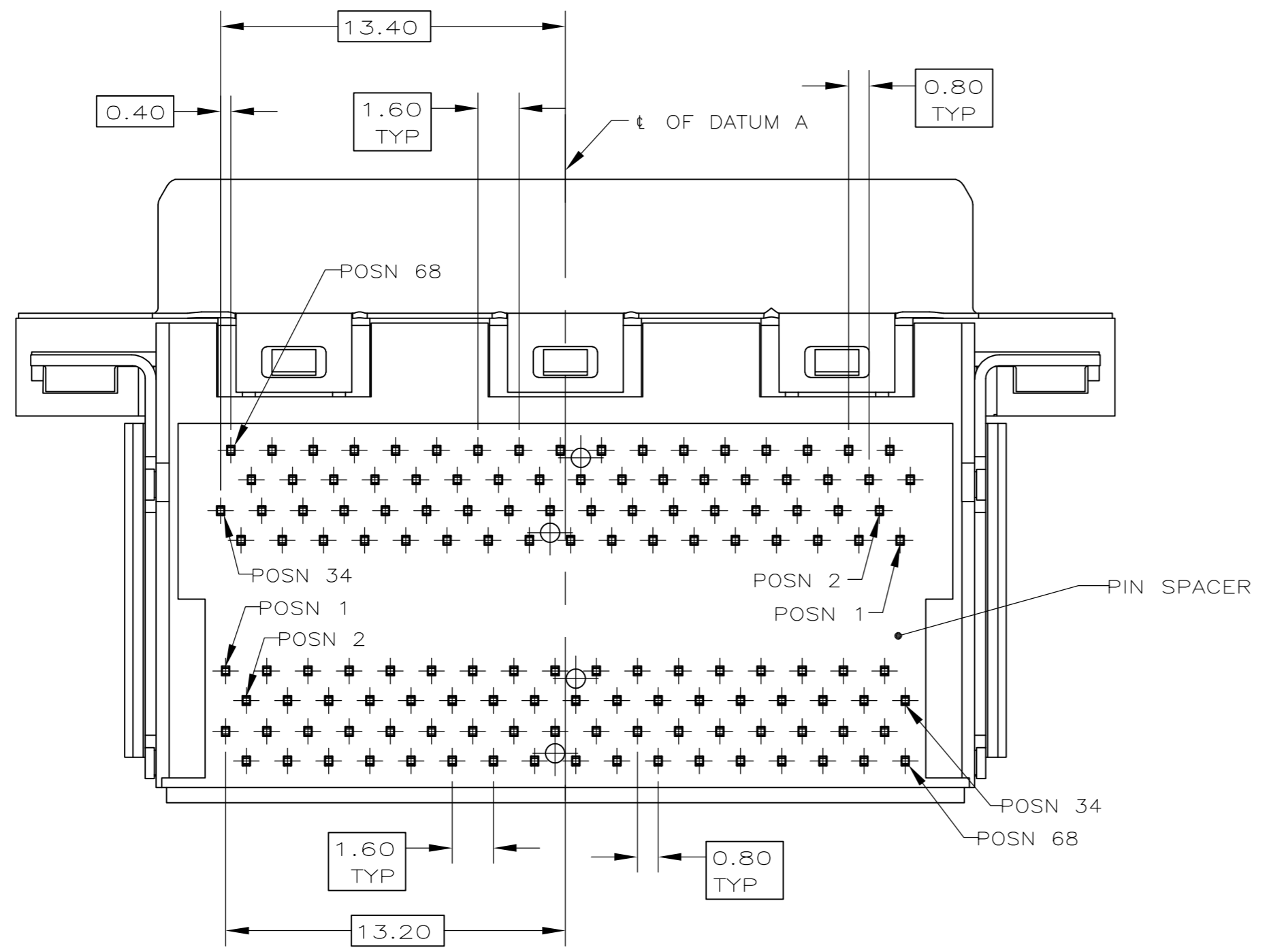
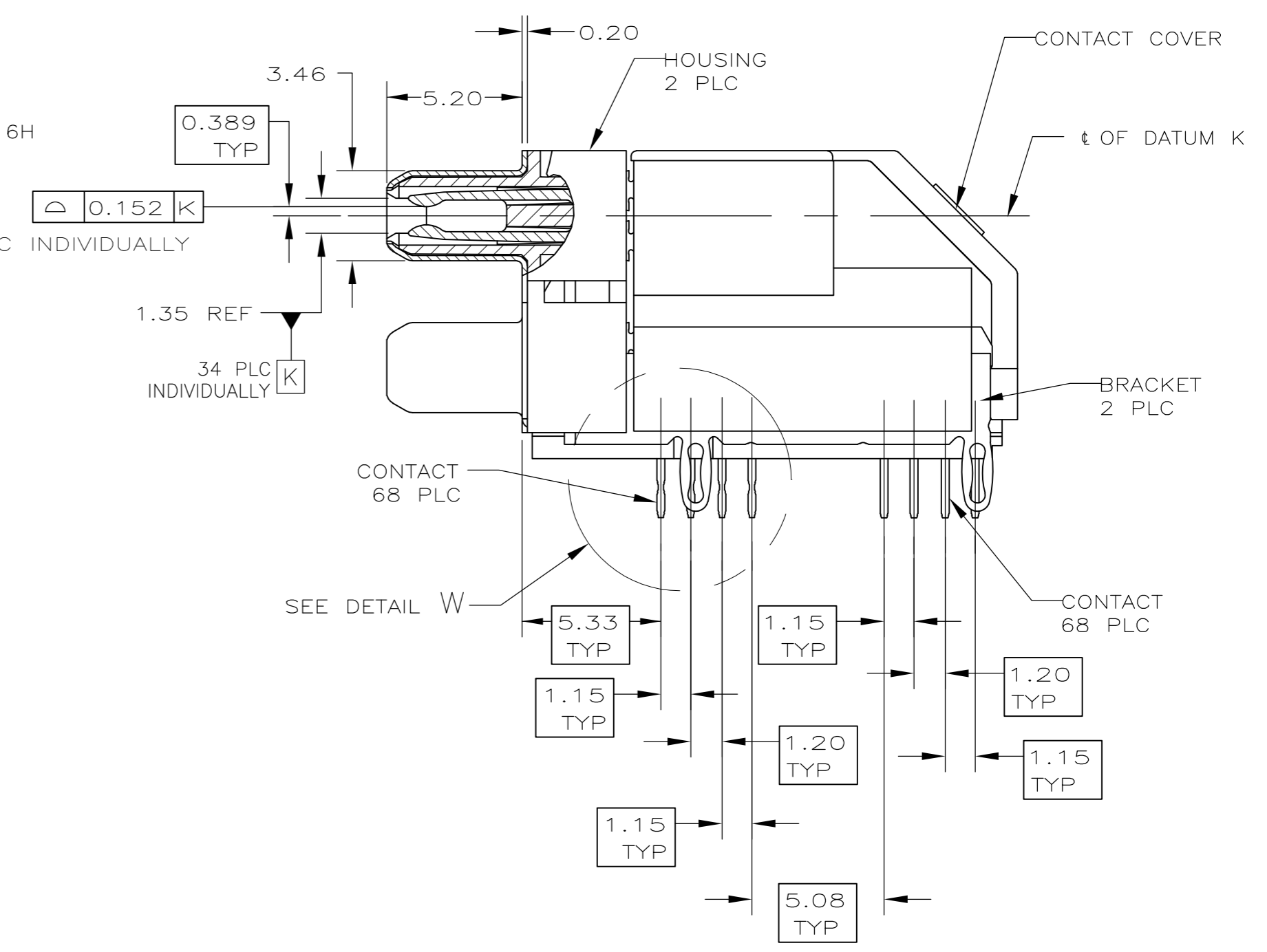
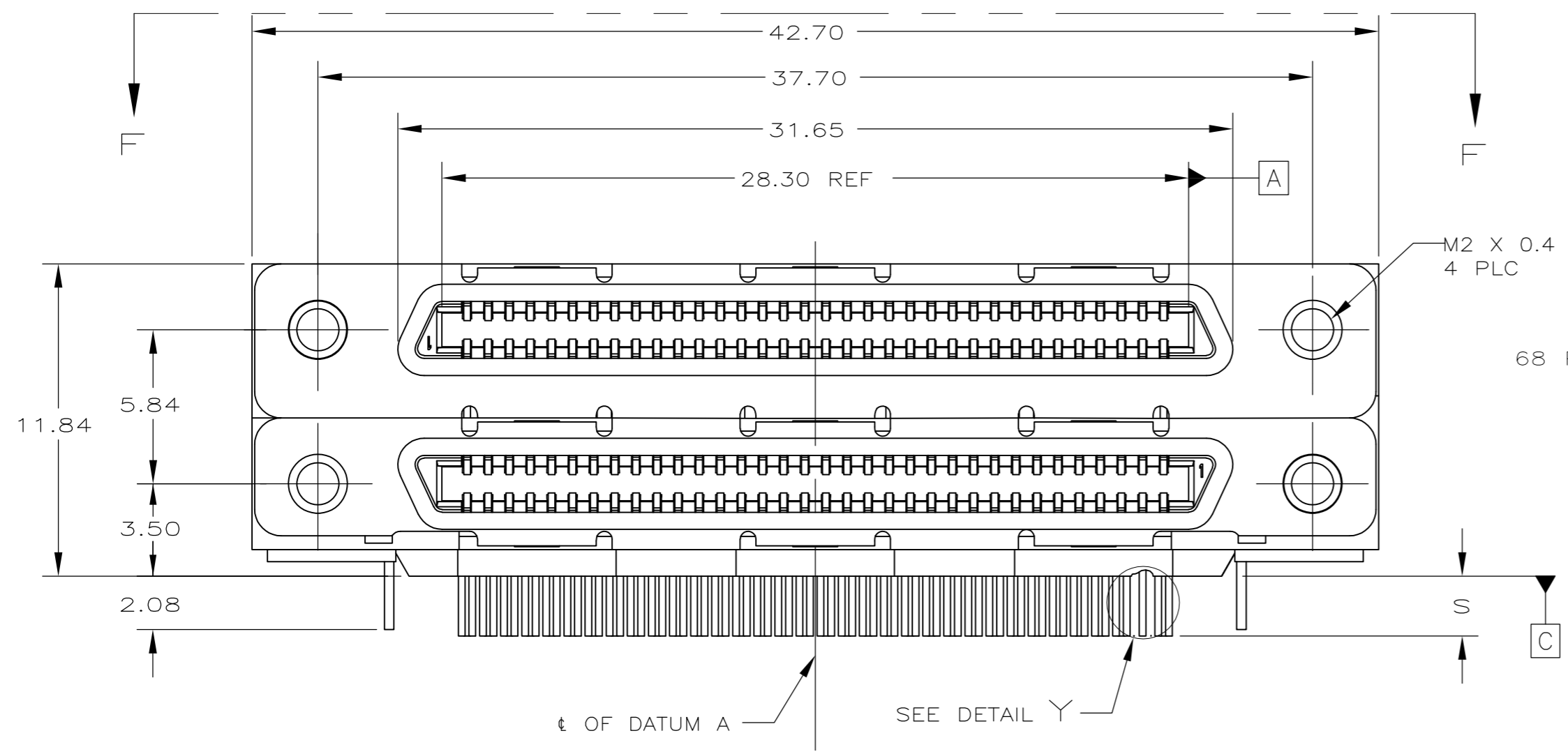
Email & Skype: info@chipsmall.com Web: www.chipsmall.com

Address: A1208, Overseas Decoration Building, #122 Zhenhua RD., Futian, Shenzhen, China



THIS DRAWING IS UNPUBLISHED. RELEASED FOR PUBLICATION  
 © COPYRIGHT - By - ALL RIGHTS RESERVED.

LOC		DIST		REVISIONS			
P	LTR	DESCRIPTION		DATE	DWN	APVD	
GP	00	A	REVISED PER ECO-12-014361		08JAN2013	CJV	EDB



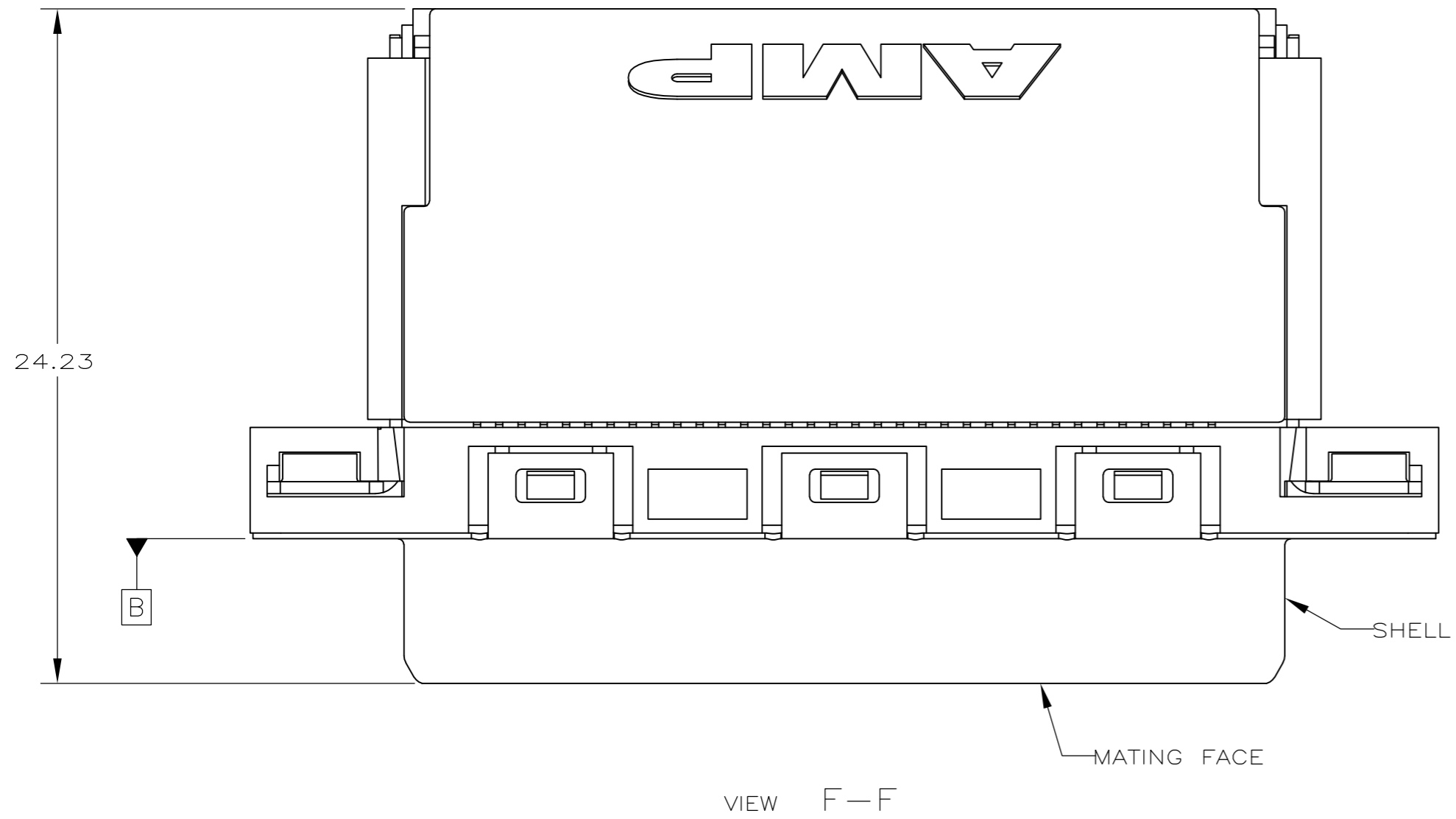
**COPYRIGHT 2005  
 TYCO ELECTRONICS CORP  
 ALL RIGHTS RESERVED**

OBsolete	3.55	8	6489232-2
	2.27	3	6489232-1
S	REMARKS		PART NUMBER

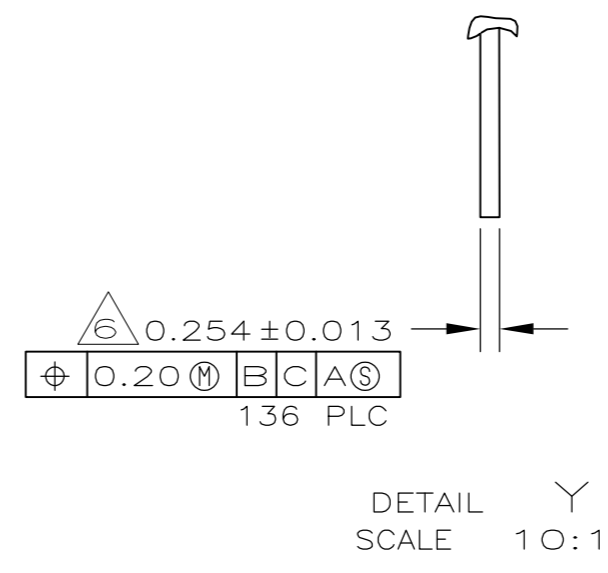
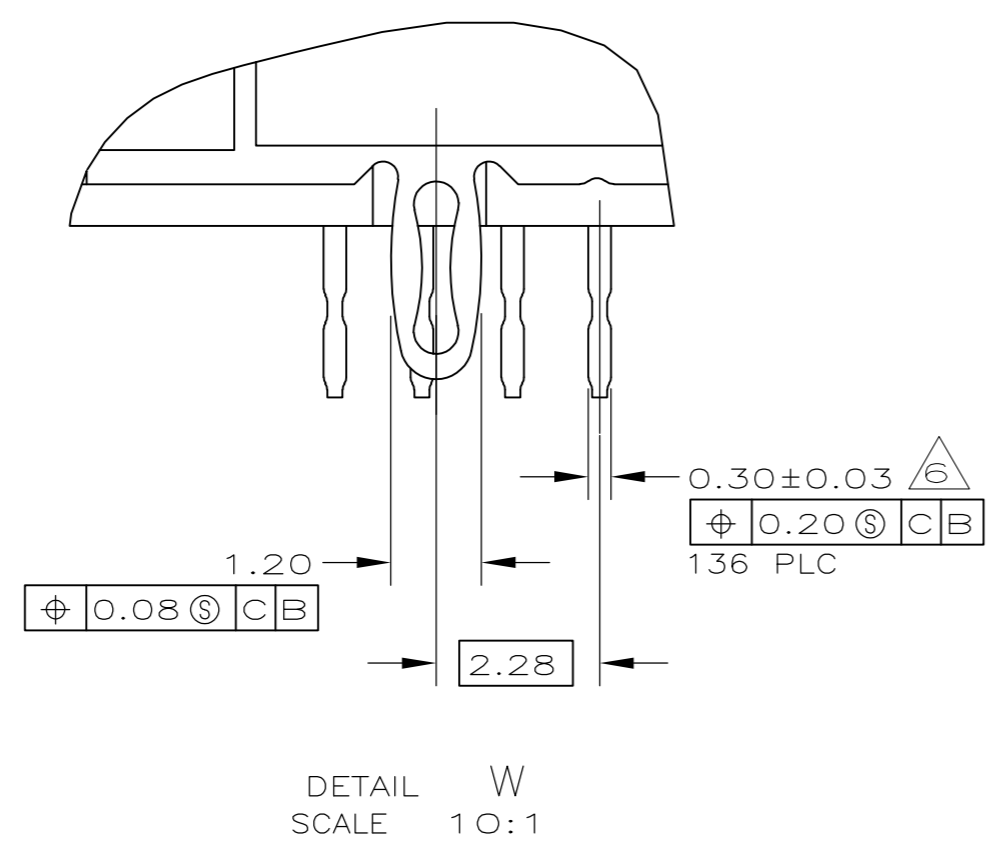
THIS DRAWING IS A CONTROLLED DOCUMENT. DIMENSIONING AND TOLERANCING PER ASME Y14.5M-2009		DWN J. ALCORTA - DOCK5 08-03-05	TE Connectivity	
DIMENSIONS: mm		CHK S. SHUEY 08-03-05	RECEPTACLE ASSEMBLY, 68 POSITION, STACKED, COVERED CONTACTS, RIGHT ANGLE, CHAMP 0.8 mm	
TOLERANCES UNLESS OTHERWISE SPECIFIED:		APVD M. WALMSLEY 08-03-05	NAME	
0 PLC ± -	1 PLC ± -	PRODUCT SPEC 108-1471-1	SIZE CAGE CODE DRAWING NO RESTRICTED TO	
2 PLC ± 0.13	3 PLC ± -	APPLICATION SPEC 114-6057	A2 00779 C=6489232	
4 PLC ± -	ANGLES ± 1°	WEIGHT -	SCALE 5:1	SHEET 1 of 3
MATERIAL 1	FINISH 2	CUSTOMER DRAWING		REV A

THIS DRAWING IS UNPUBLISHED. RELEASED FOR PUBLICATION  
 © COPYRIGHT - By - ALL RIGHTS RESERVED.

LOC		DIST		REVISIONS			
P	LTR	DESCRIPTION	DATE	DWN	APVD		
GP	00	-	-	SEE SHEET 1	-	-	-



- 1 MOLDED PARTS: THERMOPLASTIC, BLACK, UL 94V-0 RATED.  
SHELL: CARBON STEEL.  
CONTACTS: PHOSPHOR BRONZE.  
BRACKETS: STEEL.
- 2 SHELL: 5.08µm MIN NICKEL OVER 6.35µm MIN COPPER.  
CONTACTS: 0.076µm MIN GOLD ON MATING END, 3.75µm MIN TIN ON OPPOSITE END, BOTH OVER 1.27µm MIN NICKEL.  
BRACKETS: TIN PLATED.
- 3 CONTACTS DESIGNED FOR USE ON 1.60±0.15 THICK PC BOARD WITH PLATED THRU MOUNTING HOLES.
- 4 RECEPTACLE ASSEMBLY DESIGNED FOR USE WITH 1.12±0.08 THICK PANEL.
- 5 DATUMS AND DIMENSIONS ESTABLISHED BY CUSTOMER.
- 6 POSITION TOLERANCE APPLIES AT CONTACT TIP ONLY.
- 7 OFFSET DIMENSION APPLIES TO LOWER FOOTPRINT ONLY.
- 8 CONTACTS DESIGNED FOR USE ON 2.35±0.15 THICK PC BOARD WITH PLATED THRU MOUNTING HOLES.

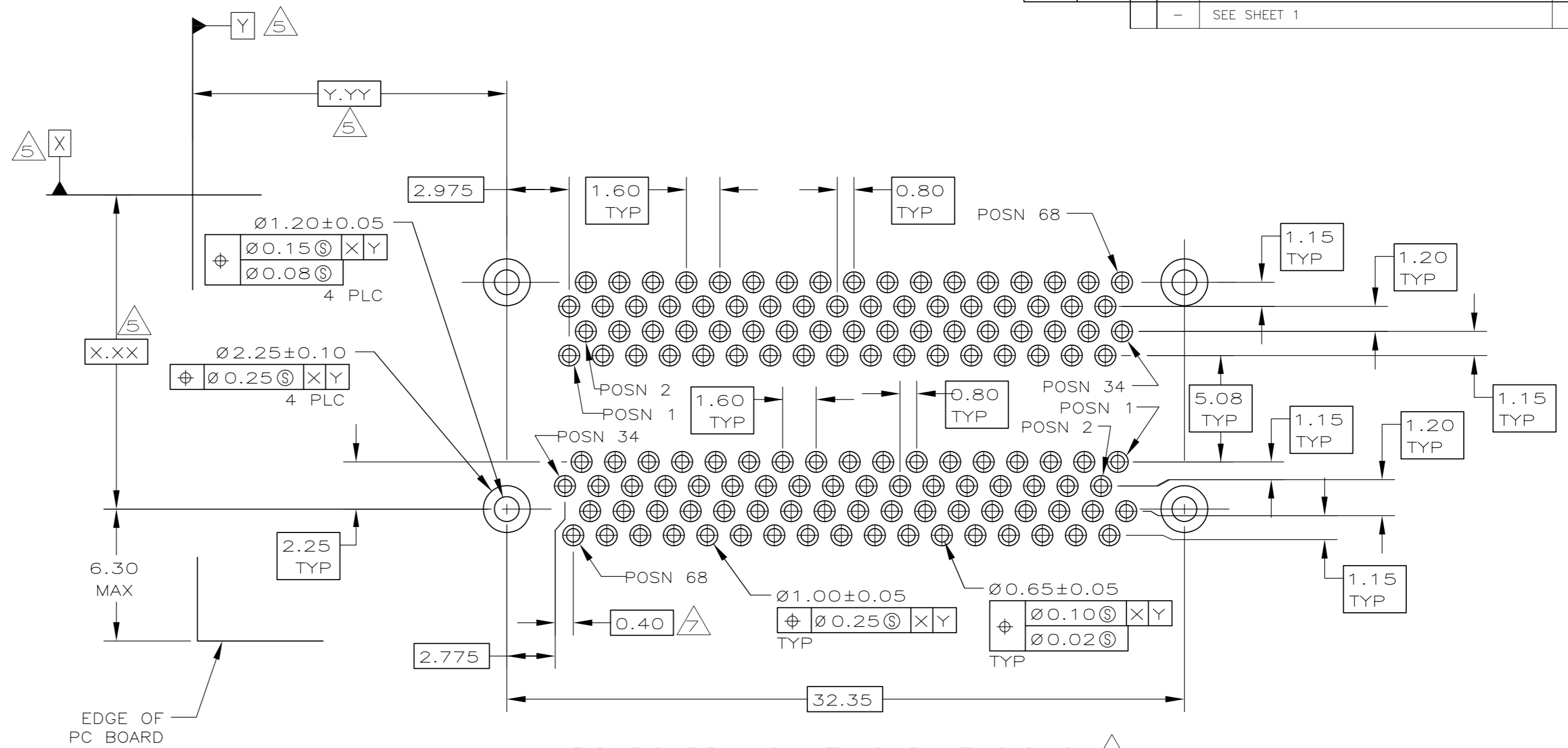


**COPYRIGHT 2005  
 TYCO ELECTRONICS CORP  
 ALL RIGHTS RESERVED**

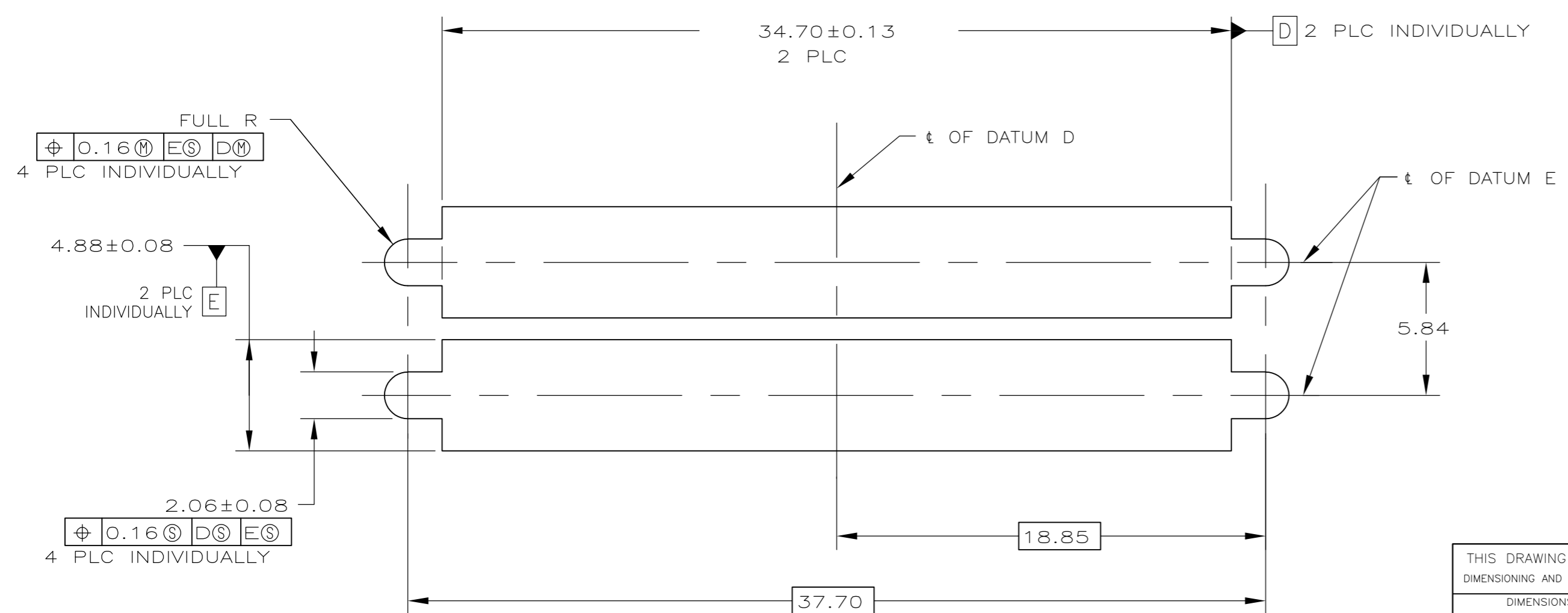
THIS DRAWING IS A CONTROLLED DOCUMENT. DIMENSIONING AND TOLERANCING PER ASME Y14.5M-2009		DWN J. ALCORTA - DOCK5 08-03-05	<b>TE</b> TE Connectivity	
DIMENSIONS: mm		CHK S. SHUEY 08-03-05		
TOLERANCES UNLESS OTHERWISE SPECIFIED: 0 PLC ± - 1 PLC ± - 2 PLC ± 0.13 3 PLC ± - 4 PLC ± - ANGLES ± 1°		APVD M. WALMSLEY 08-03-05	NAME RECEPTACLE ASSEMBLY, 68 POSITION, STACKED, COVERED CONTACTS, RIGHT ANGLE, CHAMP 0.8mm	
MATERIAL -		FINISH -	WEIGHT -	RESTRICTED TO -
CUSTOMER DRAWING		SCALE 5:1	SHEET 2 of 3	REV A

THIS DRAWING IS UNPUBLISHED. RELEASED FOR PUBLICATION  
 © COPYRIGHT - By - ALL RIGHTS RESERVED.

LOC	DIST	REVISIONS					
GP	00	P	LTR	DESCRIPTION	DATE	DWN	APVD
		-		SEE SHEET 1	-	-	-



PC BOARD MOUNTING DIMENSIONS  $\triangle 3$   
 SCALE 5:1



PANEL CUT-OUT DIMENSIONS  $\triangle 4$   
 SCALE 5:1

**COPYRIGHT 2005  
 TYCO ELECTRONICS CORP  
 ALL RIGHTS RESERVED**

THIS DRAWING IS A CONTROLLED DOCUMENT. DIMENSIONING AND TOLERANCING PER ASME Y14.5M-2009		DWN J. ALCORTA - 08-03-05	TE Connectivity	
DIMENSIONS: mm		CHK S. SHUEY	NAME	
TOLERANCES UNLESS OTHERWISE SPECIFIED:		APVD M. WALMSLEY	RECEPTACLE ASSEMBLY, 68 POSITION, STACKED, COVERED, CONTACTS, RIGHT ANGLE, CHAMP 0.8mm	
0 PLC	± -	PRODUCT SPEC	SIZE	CAGE CODE
1 PLC	± -	APPLICATION SPEC	A2	00779
2 PLC	± 0.13	WEIGHT	DRAWING NO C=6489232	
3 PLC	± -	CUSTOMER DRAWING	SCALE	SHEET
4 PLC	± -		6:1	3 OF 3
ANGLES	± 1°		REV	A
MATERIAL	FINISH			