



Chipsmall Limited consists of a professional team with an average of over 10 year of expertise in the distribution of electronic components. Based in Hongkong, we have already established firm and mutual-benefit business relationships with customers from,Europe,America and south Asia,supplying obsolete and hard-to-find components to meet their specific needs.

With the principle of "Quality Parts,Customers Priority,Honest Operation,and Considerate Service",our business mainly focus on the distribution of electronic components. Line cards we deal with include Microchip,ALPS,ROHM,Xilinx,Pulse,ON,Everlight and Freescale. Main products comprise IC,Modules,Potentiometer,IC Socket,Relay,Connector.Our parts cover such applications as commercial,industrial, and automotives areas.

We are looking forward to setting up business relationship with you and hope to provide you with the best service and solution. Let us make a better world for our industry!



## Contact us

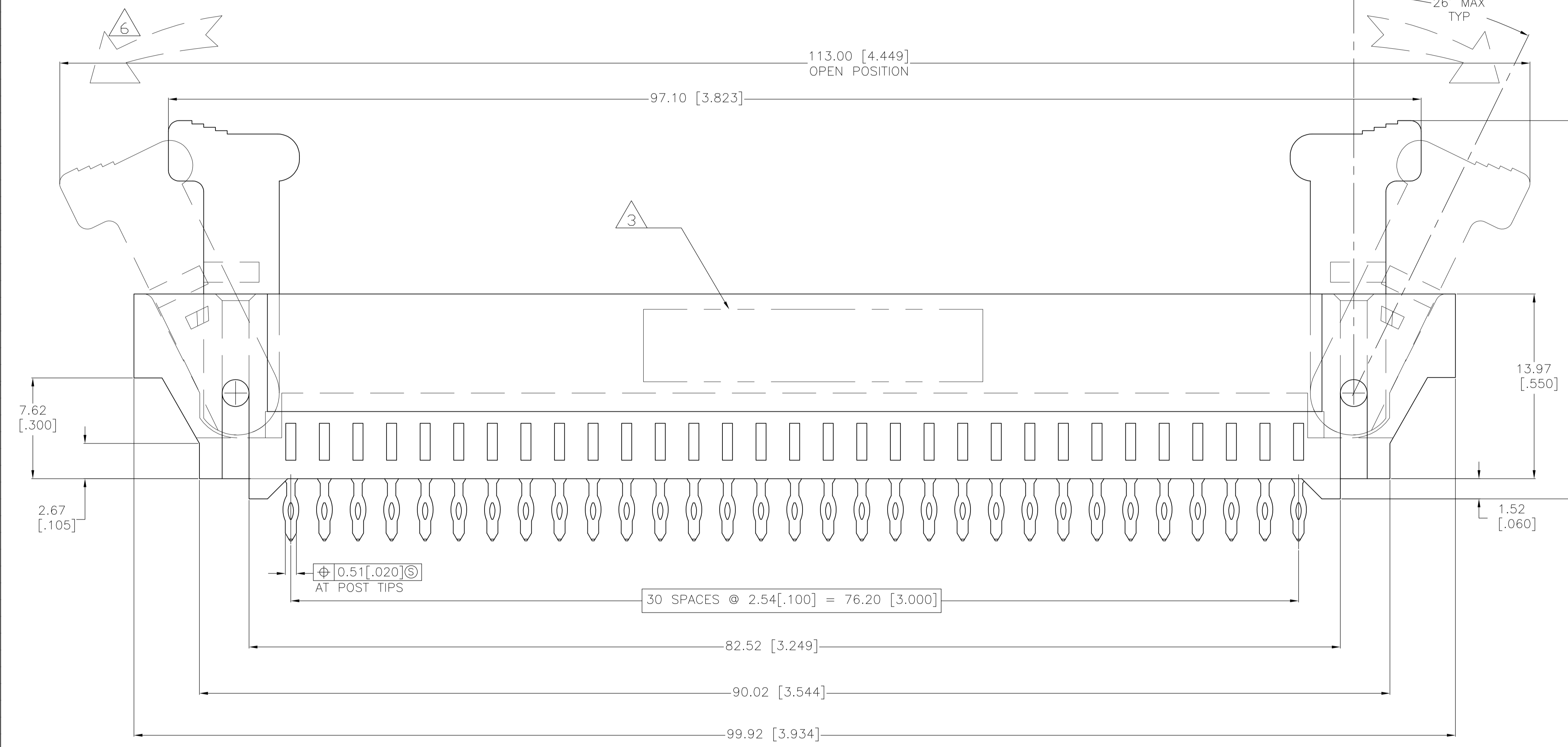
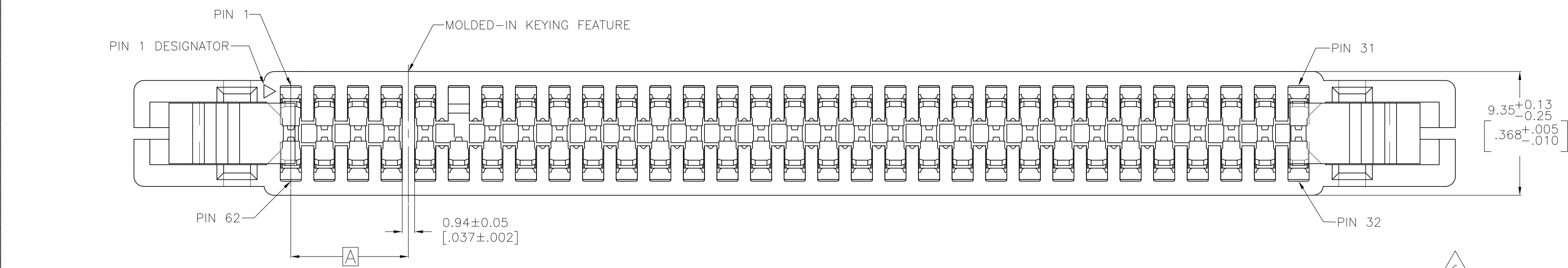
Tel: +86-755-8981 8866 Fax: +86-755-8427 6832

Email & Skype: info@chipsmall.com Web: www.chipsmall.com

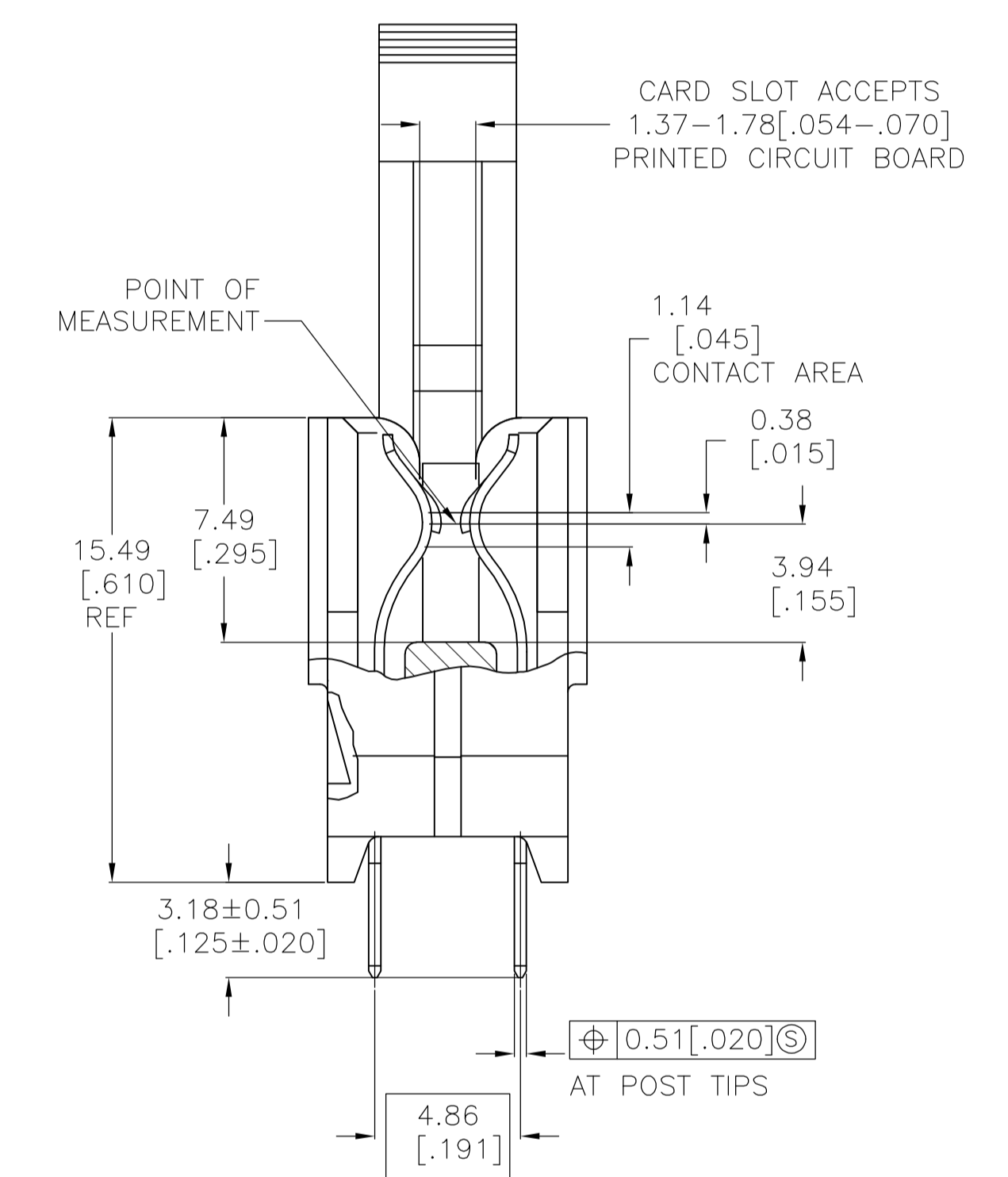
Address: A1208, Overseas Decoration Building, #122 Zhenhua RD., Futian, Shenzhen, China



LOC	DIST	REVISIONS			
F	LTR	DESCRIPTION	DATE	DMN	APVD
E		ECO-08-016953	7AUG08	RG	AWF

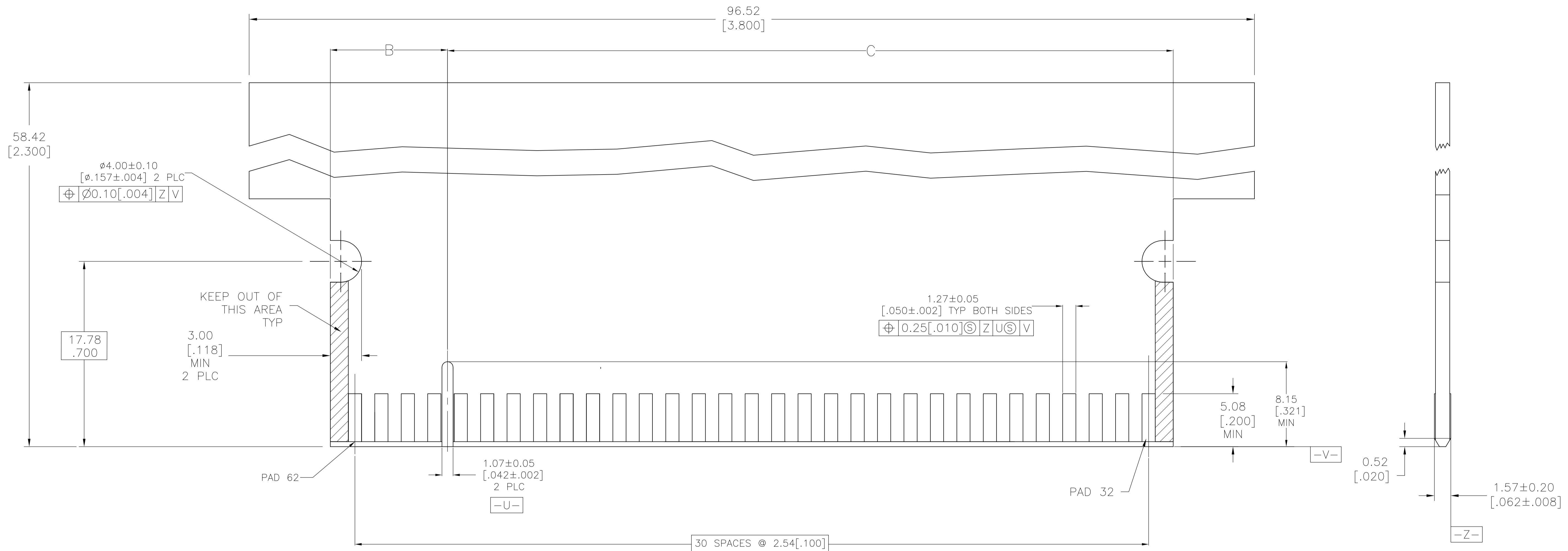


- MATERIAL:  
HOUSING: GLASS FILLED POLYESTER, COLOR: BLACK.  
CONTACT: HIGH CONDUCTIVITY COPPER ALLOY  
LATCH: GLASS FILLED POLYESTER, COLOR: BLACK
- FINISH:  
0.00038[.000015] MIN GOLD PLATE IN CONTACT AREA,  
0.00254[.000100] MIN MATTE TIN ON SOLDER POSTS, ALL  
OVER 0.00127[.000050] MIN NICKEL
- AMP LOGO, TE PART NUMBER, DATE CODE AND CSA LOGO INK  
STAMPED WHITE (HOT STAMPED OR LAZER PRINTED) IN THE APPROXIMATE  
AREA SHOWN, EITHER SIDE PERMISSABLE, WHEN HOUSING SIZE PERMITS
- DATUMS AND BASIC DIMENSIONS ESTABLISHED BY CUSTOMER
- CONNECTORS SHOWN ARE USED IN APPLICATIONS WITH VRM MODULES WEIGHING  
3 OUNCES OR LESS. ALTERNATE CONNECTOR AND LATCH METHOD IS AVAILABLE FOR  
VRM MODULES WEIGHING UP TO 6 OUNCES.
- CAUTION: LATCHES ARE INTENDED FOR RETENTION OF PC BOARD TO CONNECTOR.  
DO NOT ATTEMPT TO FULLY EJECT PC BOARD FROM CONNECTOR WHILE DISENGAGING  
LATCHES. DAMAGE TO LATCHES AND OR CONNECTOR MAY OCCUR
- RECOMMENDED FINISHED HOLE SIZES:  
TIN PLATED HOLE -  $\varnothing 1.02 \pm 0.08 [\varnothing 0.40 \pm .003]$   
GOLD PLATED -  $\varnothing 1.07 \pm 0.05 [\varnothing 0.42 \pm .002]$

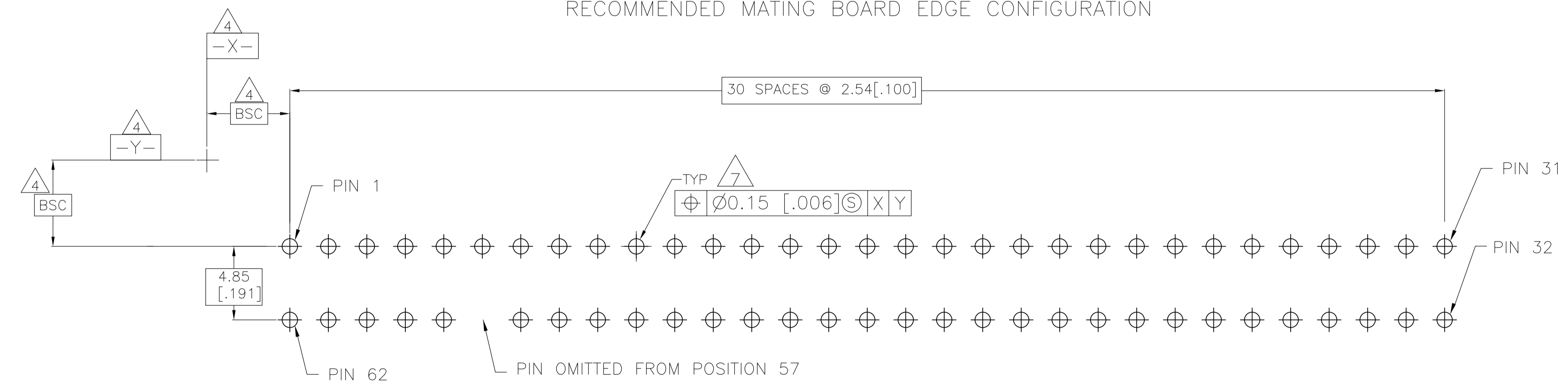


OBSOLETE	6489651-4
OBSOLETE	6489651-3
	PART NUMBER

69.67 [2.743]	11.18 [.440]	8.89 [.350]	9.1,+48v	6	4,5	2,3,29,30, 33,34,60,61	31	6489651-2
49.35 [1.943]	31.50 [1.240]	29.21 [1.150]	9.1,+12v		12,13			6489651-1
C	B	A	VRM DESIGNATION	OMIT PIN AND HOLE	MOLDED KEY BETWEEN PINS	RETENTION LOCATION	NO OF DUAL POSN	PART NUMBER
THIS DRAWING IS A CONTROLLED DOCUMENT.			DMN AWF/L.A.MAYER 04MAR2008	Tyco Electronics Corporation Harrisburg, PA 17105-3608				
DIMENSIONS: mm [INCHES]			TOLERANCES UNLESS OTHERWISE SPECIFIED:		NAME S.FLICKINGER PRODUCT SPEC 108-9039-2 APPLICATION SPEC 114-13018			
MATERIAL SEE NOTE 1			FINISH SEE NOTE 2		SIZE A1		DRAWING NO 00779	
CUSTOMER DRAWING			WEIGHT		SCALE 5:1		SHEET 1 OF 2	



RECOMMENDED MATING BOARD EDGE CONFIGURATION



RECOMMENDED PC BOARD HOLE LAYOUT

THIS DRAWING IS A CONTROLLED DOCUMENT.		DIN AWF/L.A.MAYER 04MAR2008	Tyco Electronics Corporation Harrisburg, PA 17105-3608
DIMENSIONS: mm [INCHES]		CHK A.W.FRANTUM 04MAR2008	
TOLERANCES UNLESS OTHERWISE SPECIFIED:		APVD S.FLICKINGER 04MAR2008	NAME S.FLICKINGER
0 PLC ± 1 PLC ± 2 PLC ± 0.13[.005] 3 PLC ± 4 PLC ± ANGLES ± °		PRODUCT SPEC 108-9039-2	CONTRACTOR ASSEMBLY, HIGH CURRENT CARD EDGE, DUAL POSITION, 2.54[.100] CENTERLINE
MATERIAL SEE NOTE 1		FINISH SEE NOTE 2	APPLICATION SPEC 114-13018
		WEIGHT	SIZE A1
		CUSTOMER DRAWING	SCALE 5:1 SHEET 2 OF 2 REV E