



Chipsmall Limited consists of a professional team with an average of over 10 year of expertise in the distribution of electronic components. Based in Hongkong, we have already established firm and mutual-benefit business relationships with customers from,Europe,America and south Asia,supplying obsolete and hard-to-find components to meet their specific needs.

With the principle of “Quality Parts,Customers Priority,Honest Operation,and Considerate Service”,our business mainly focus on the distribution of electronic components. Line cards we deal with include Microchip,ALPS,ROHM,Xilinx,Pulse,ON,Everlight and Freescale. Main products comprise IC,Modules,Potentiometer,IC Socket,Relay,Connector.Our parts cover such applications as commercial,industrial, and automotives areas.

We are looking forward to setting up business relationship with you and hope to provide you with the best service and solution. Let us make a better world for our industry!



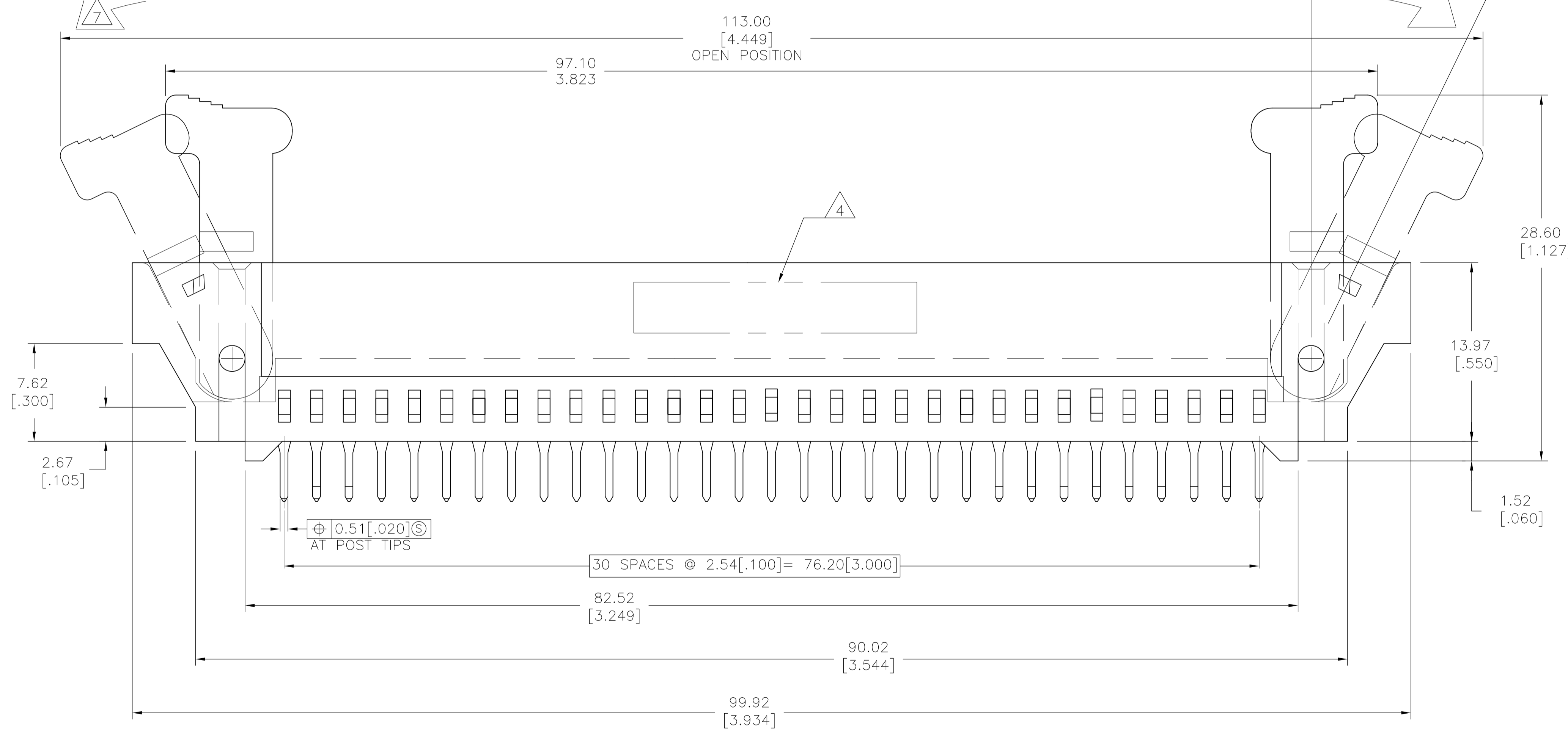
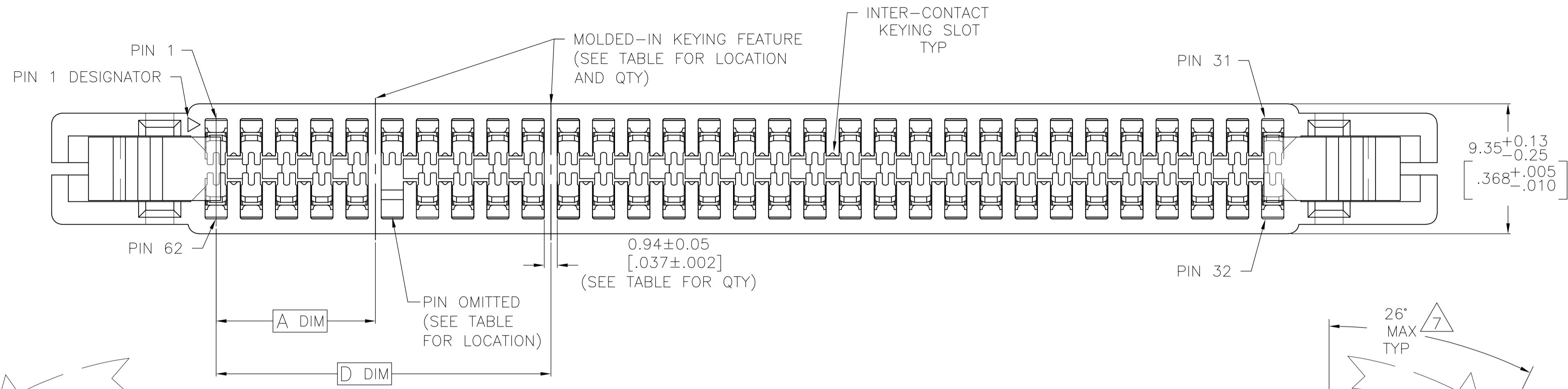
Contact us

Tel: +86-755-8981 8866 Fax: +86-755-8427 6832

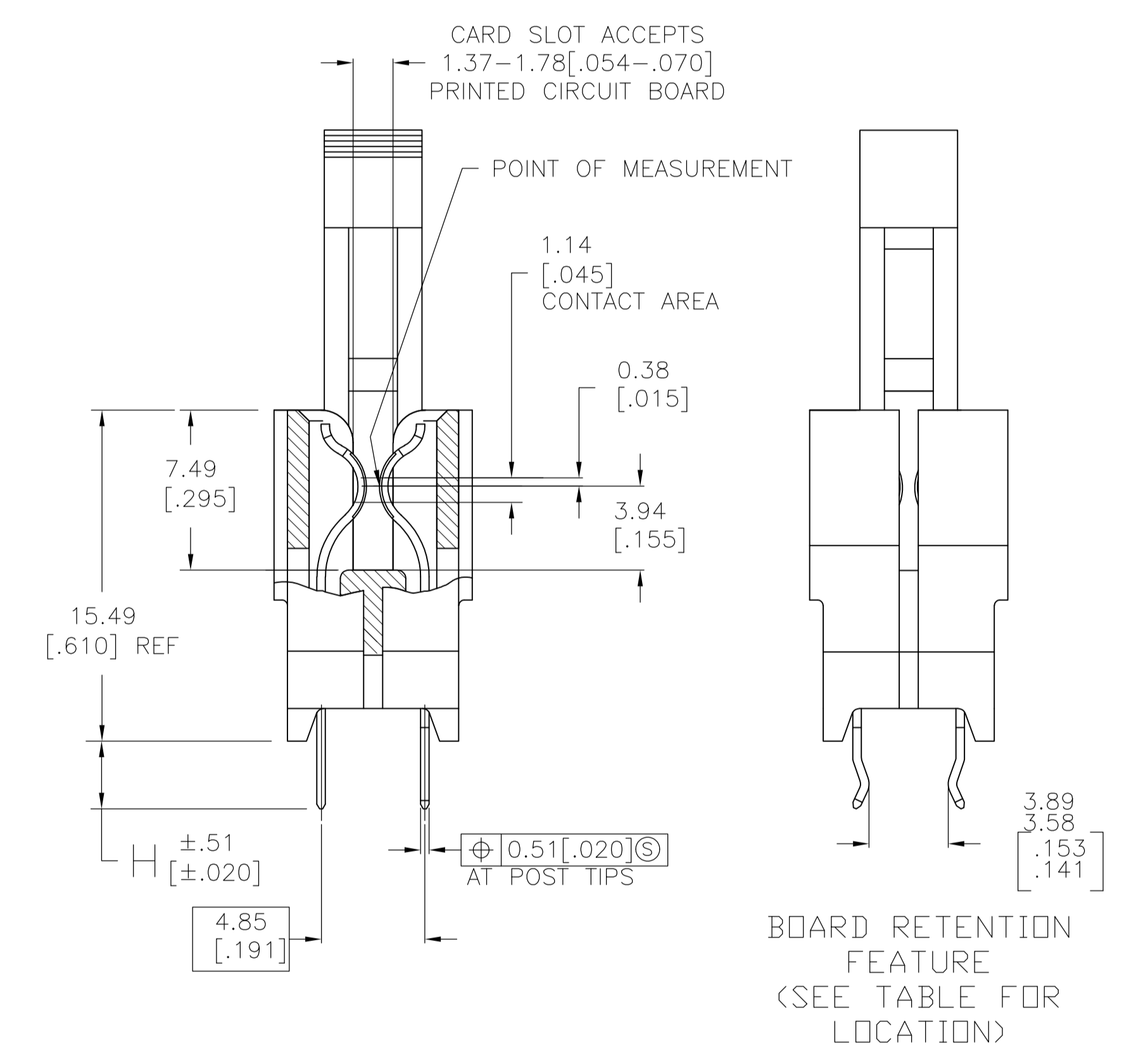
Email & Skype: info@chipsmall.com Web: www.chipsmall.com

Address: A1208, Overseas Decoration Building, #122 Zhenhua RD., Futian, Shenzhen, China





- MATERIAL:
HOUSING: GLASS FILLED POLYESTER; COLOR: BLACK.
CONTACT: HIGH CONDUCTIVITY COPPER ALLOY
LATCH: GLASS FILLED POLYESTER, COLOR: (SEE TABLE)
- FINISH:
0.00038[.000015] GOLD PLATE IN CONTACT AREA,
0.00254[.000100] MIN MATTE TIN ON SOLDER POSTS, ALL
OVER 0.00127[.000050] MIN NICKEL
- FINISH:
0.00076[.000030] GOLD PLATE IN CONTACT AREA,
0.00254[.000100] MIN MATTE TIN ON SOLDER POSTS, ALL
OVER 0.00127[.000050] MIN NICKEL
- AMP LOGO, TE PART NUMBER, DATE CODE AND CSA LOGO INK
STAMPED WHITE (HOT STAMPED OR LAZER PRINTED) IN THE APPROXIMATE
AREA SHOWN, EITHER SIDE PERMISSABLE, WHEN HOUSING SIZE PERMITS
- DATUMS AND BASIC DIMENSIONS ESTABLISHED BY CUSTOMER
- CONNECTORS SHOWN ARE USED IN APPLICATIONS WITH VRM MODULES WEIGHING
3 OUNCES OR LESS. ALTERNATE CONNECTOR AND LATCH METHOD IS AVAILABLE FOR
VRM MODULES WEIGHING UP TO 6 OUNCES.
- CAUTION:** LATCHES ARE INTENDED FOR RETENTION OF PC BOARD TO CONNECTOR.
DO NOT ATTEMPT TO FULLY EJECT PC BOARD FROM CONNECTOR WHILE DISENGAGING
LATCHES. DAMAGE TO LATCHES AND OR CONNECTOR MAY OCCUR
- OBSOLETE PARTS: OBSOLETE CIS STREAMLINING PER D.RENAUD/D.SINISI



Ⓜ PART IN SHEET 2

OBsolete 8

FINISH	LATCH COLOR	H	G	F	E	D	C	B	A	RETENTION LOCATION	MOLDED-IN KEYING FEATURE	OMITTED PIN	VRM TYPE	NO OF DUAL POSN	PART NUMBER				
WHITE	4.70	[.185]	-	-	-	-	-	-	-	2,3, 29,30, 33,34, 60,61	NONE	NONE	-	31	6489930-8				
BLACK	3.18	[.125]	11	3	31.57	[1.243]	29.22	[1.150]	18	11.25	[.443]	8.89	[.350]	2,3, 29,30, 33,34, 60,61	4,5 & 12,13	6	-	31	6489930-7
WHITE	4.75	[.187]	-	-	-	-	-	-	-	2,3, 29,30, 33,34, 60,61	NONE	NONE	-	31	6489930-6				
WHITE	3.18	[.125]	9	-	26.49	[1.043]	24.13	[.950]	20	-	-	10, 11	57	10.0 +12v	31	6489930-5			
WHITE	3.18	[.125]	-	-	-	-	-	-	-	2,3, 29,30, 33,34, 60,61	NONE	NONE	-	31	6489930-4				
WHITE	3.18	[.125]	8	2	23.95	[.943]	21.59	[.850]	21	8.71	[.343]	6.35	[.250]	2,3, 29,30, 33,34, 60,61	3,4 & 9,10	57	-	31	6489930-3
BLACK	3.18	[.125]	9	-	26.49	[1.043]	24.13	[.950]	20	-	-	10,11	57	10.0 +12v	31	6489930-2			
BLACK	3.18	[.125]	9	4	26.49	[1.043]	24.13	[.950]	20	13.79	[.543]	11.43	[.450]	2,3, 29,30, 33,34, 60,61	5,6 & 10,11	57	10.1 +12v	31	6489930-1

THIS DRAWING IS A CONTROLLED DOCUMENT.

AWF/L.A.MAYER 02APR2008
A.W.FRANTUM 02APR2008
S.FLICKINGER 02APR2008

DIMENSIONS: mm [INCHES]

TOLERANCES UNLESS OTHERWISE SPECIFIED:
0 PLC ± -
1 PLC ± -
2 PLC ± -
3 PLC ± 0.13 [.005]
4 PLC ± -
ANGLES ± -

MATERIAL SEE NOTE 1 FINISH SEE NOTE 2

WEIGHT -

CUSTOMER DRAWING

AWF/L.A.MAYER 02APR2008
A.W.FRANTUM 02APR2008
S.FLICKINGER 02APR2008

NAME
PRODUCT SPEC
108-2148
APPLICATION SPEC
114-13018

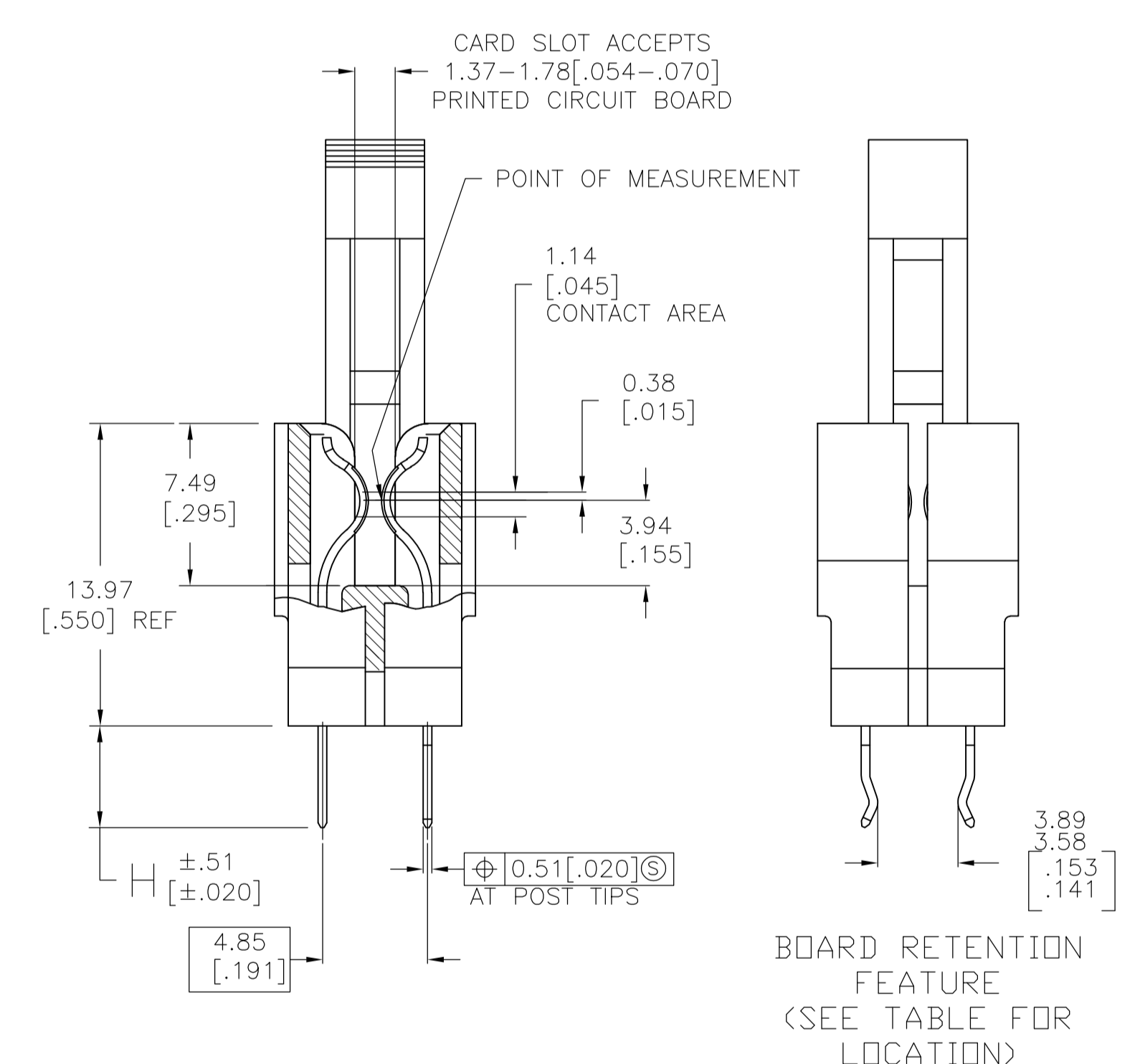
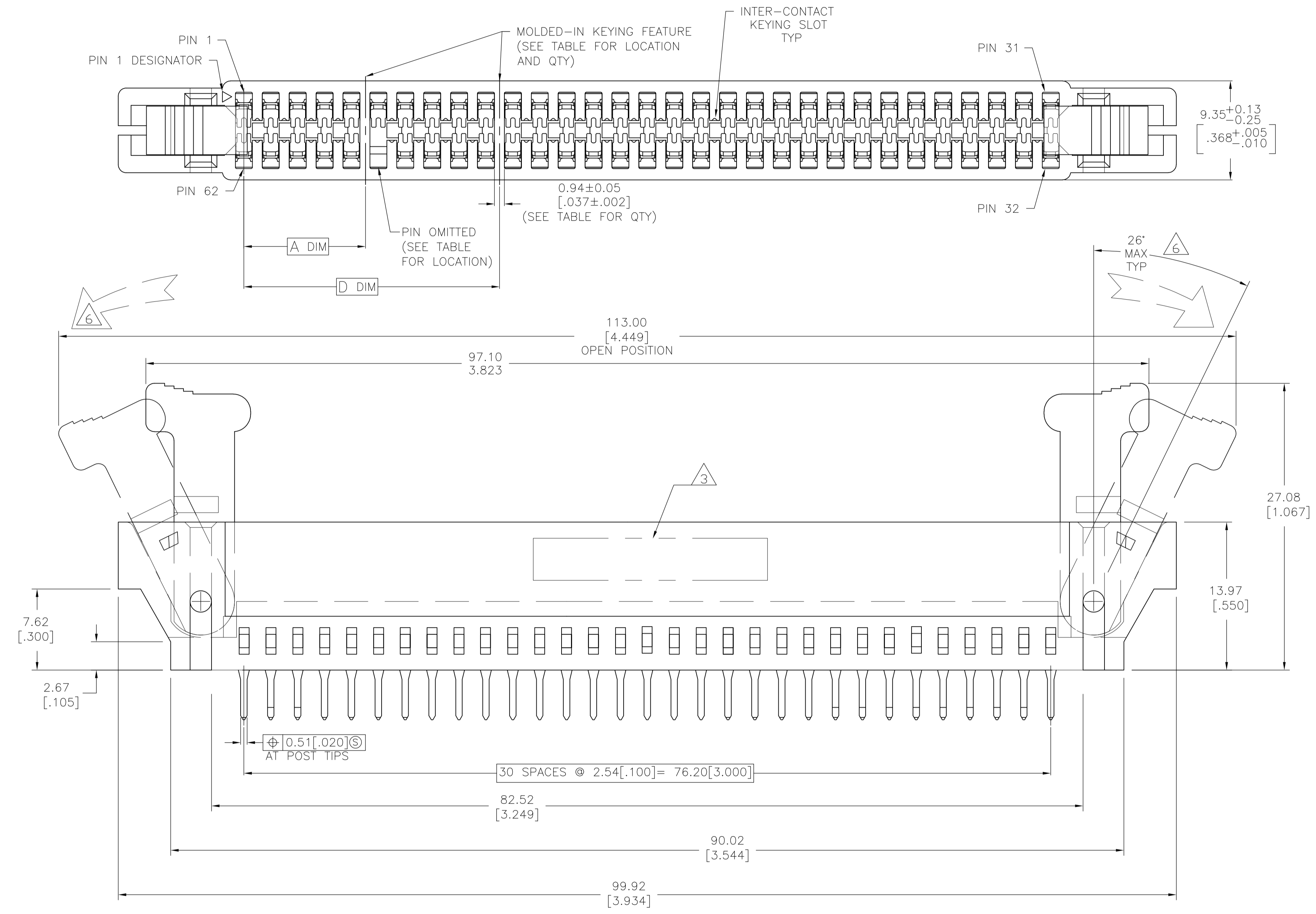
SIZE A1
SCALE 5:1

TE Connectivity
CONNECTOR ASSEMBLY
HIGH CURRENT CARD EDGE
DUAL POSITION, 2.54 [.100] CENTERLINE

00779 6489930

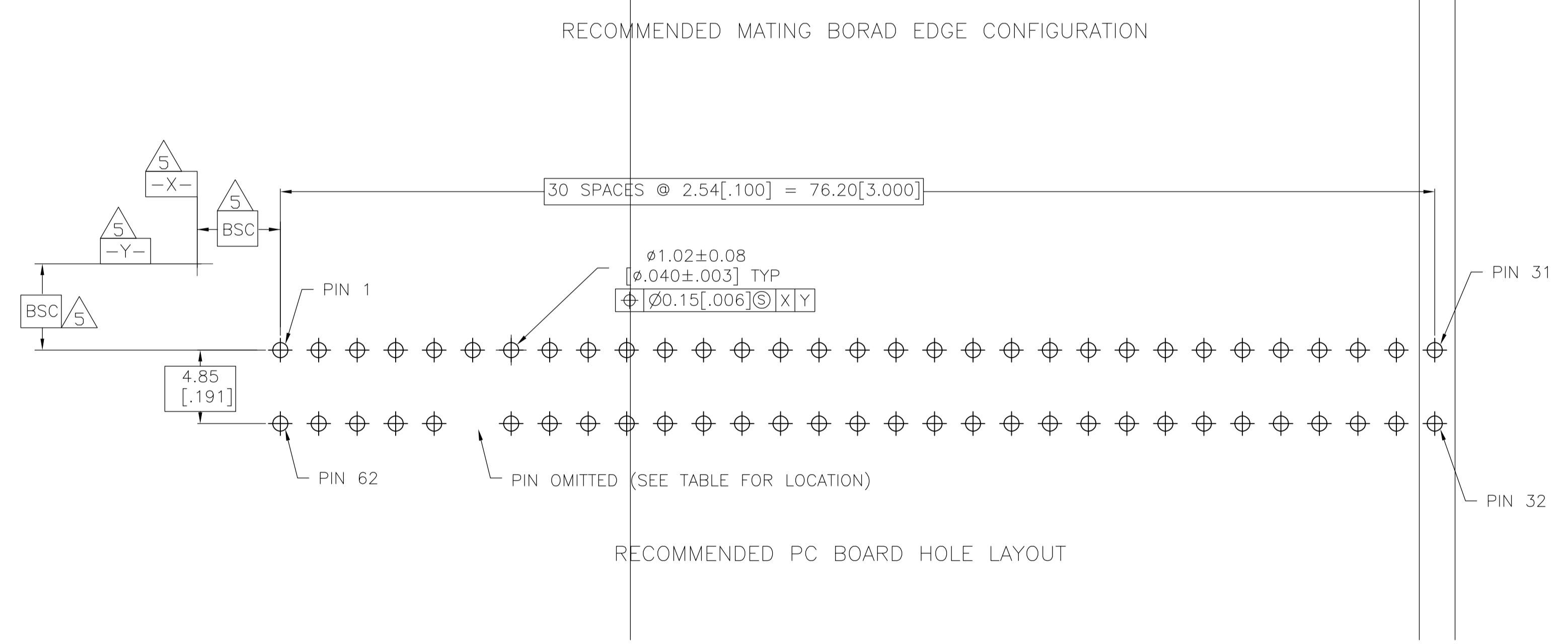
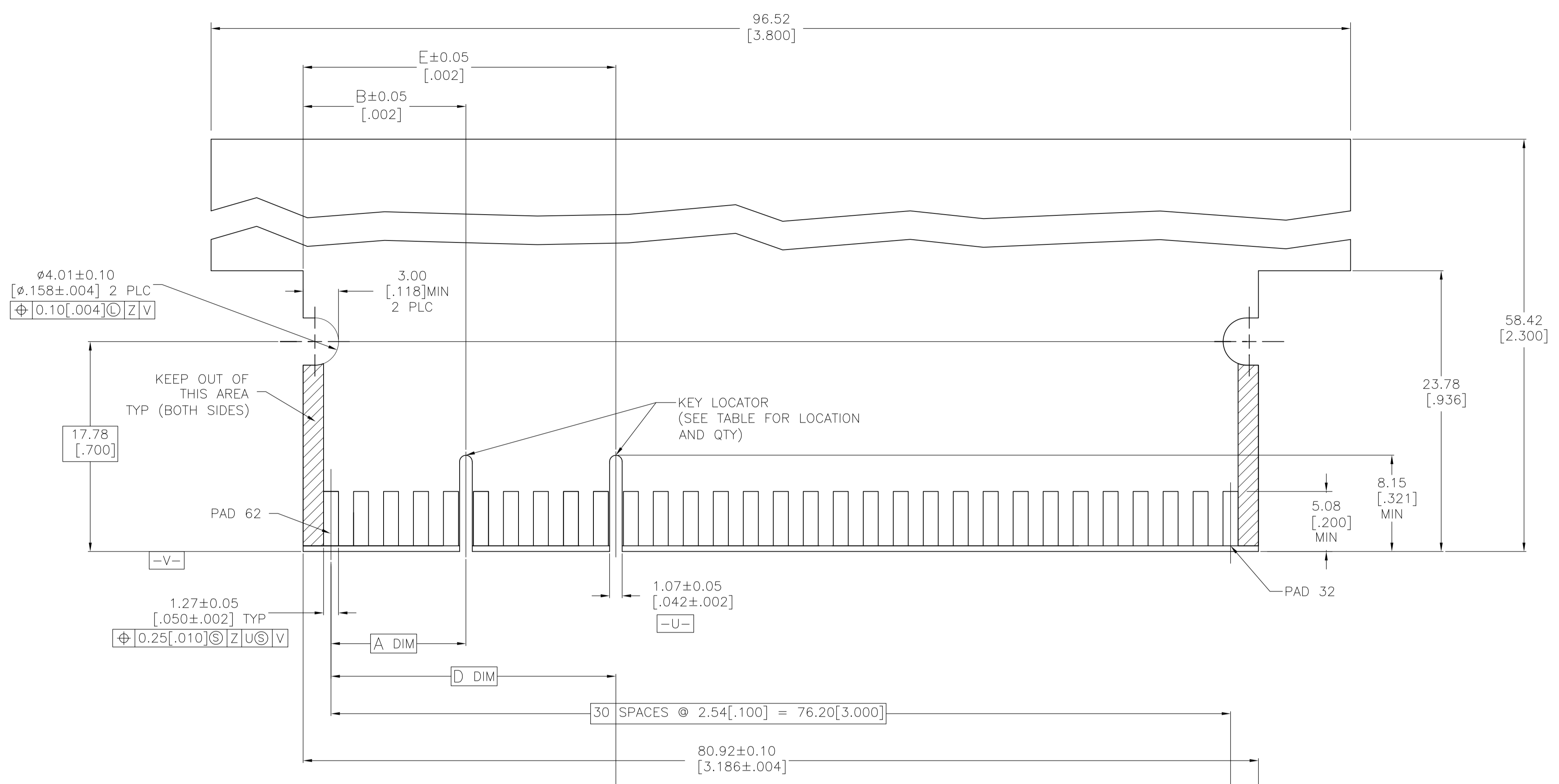
RESTRICTED TO

SCALE 5:1 SHEET 1 OF 3 REV D2



PART 6489930-8

THIS DRAWING IS A CONTROLLED DOCUMENT.		OWN: A.W.F./L.A.MAYER 02APR2008 CHK: A.W.FRANTUM 02APR2008 APP'D: S.FLICKINGER 02APR2008	NAME: S.FLICKINGER	TE Connectivity	
DIMENSIONS: mm [INCHES]	TOLERANCES UNLESS OTHERWISE SPECIFIED:	0 PLC ± - 1 PLC ± - 2 PLC ± - 3 PLC ± 0.13 [.005] 4 PLC ± - ANGLES ± -	PRODUCT SPEC: 108-2148 APPLICATION SPEC: 114-13018	CONNECTOR ASSEMBLY HIGH CURRENT CARD EDGE DUAL POSITION, 2.54 [.100] CENTERLINE	
MATERIAL: SEE NOTE 1	FINISH: SEE NOTE 2	WEIGHT: -	SIZE: A1 CAGE CODE: 00779 DRAWING NO: 6489930	RESTRICTED TO: -	CUSTOMER DRAWING
			SCALE: 5:1	SHEET: 2 OF 3	REV: D2



THIS DRAWING IS A CONTROLLED DOCUMENT.		DWN AWF/L.A.MAYER 02APR2008	TE Connectivity	
DIMENSIONS: mm [INCHES]		CHK A.W.FRANTUM 02APR2008	NAME CONNECTOR ASSEMBLY HIGH CURRENT CARD EDGE	
TOLERANCES UNLESS OTHERWISE SPECIFIED:		APVD S.FLICKINGER 02APR2008	PRODUCT SPEC 108-2148	
0 PLC ± - 1 PLC ± - 2 PLC ± - 3 PLC ± 0.13 [.005] 4 PLC ± - ANGLES ± -		APPLICATION SPEC 114-13018	RESTRICTED TO	
MATERIAL SEE NOTE 1	FINISH SEE NOTE 2	WEIGHT -	SIZE A1	CAGE CODE 00779
CUSTOMER DRAWING		SCALE 5:1	SHEET 3 OF 3	REV D2