



Chipsmall Limited consists of a professional team with an average of over 10 year of expertise in the distribution of electronic components. Based in Hongkong, we have already established firm and mutual-benefit business relationships with customers from,Europe,America and south Asia,supplying obsolete and hard-to-find components to meet their specific needs.

With the principle of "Quality Parts,Customers Priority,Honest Operation,and Considerate Service",our business mainly focus on the distribution of electronic components. Line cards we deal with include Microchip,ALPS,ROHM,Xilinx,Pulse,ON,Everlight and Freescale. Main products comprise IC,Modules,Potentiometer,IC Socket,Relay,Connector.Our parts cover such applications as commercial,industrial, and automotives areas.

We are looking forward to setting up business relationship with you and hope to provide you with the best service and solution. Let us make a better world for our industry!



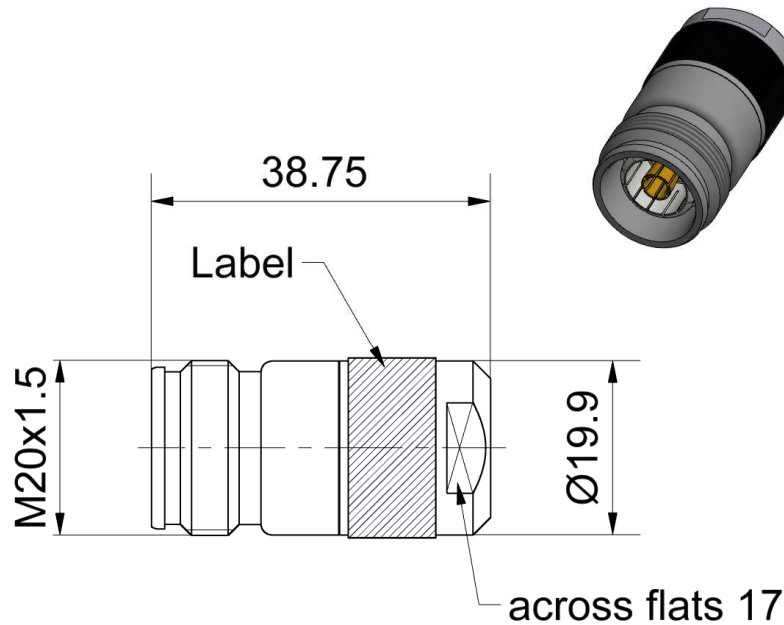
Contact us

Tel: +86-755-8981 8866 Fax: +86-755-8427 6832

Email & Skype: info@chipsmall.com Web: www.chipsmall.com

Address: A1208, Overseas Decoration Building, #122 Zhenhua RD., Futian, Shenzhen, China





All dimensions are in mm; tolerances according to ISO 2768 m-H

Interface

According to IEC 60169-54

Documents

N/A

Material and plating

Connector parts

Center contact
Outer contact
Contact spring
Body
Dielectric
Substrate

Material

CuBe
Stainless steel
CuBe or equiv.
Brass
PTFE
Al₂O₃

Plating

Gold, min. 1.27 µm, over nickel
Passivated
Silver, 3-6 µm
White bronze(e.g. Optalloy®)

Electrical data

Impedance 50 Ω
 Frequency DC to 6 GHz
 Return loss ≥ 36 dB, DC to 2 GHz
 ≥ 26.5 dB, 2 GHz to 6 GHz
 Power handling 1 W at 25°C
 derated linearity to 0 Watts at 125°C

Mechanical data

Mating cycles ≥ 500
 Maximum torque 5 Nm
 Recommended torque 2 Nm
 Gauge 3.10 mm to 3.25 mm

Environmental data

Temperature range -40 °C to +85 °C
 RoHS compliant

Packing

Standard 1 pce in bag
 Weight 74 g/pce

While the information has been carefully compiled to the best of our knowledge, nothing is intended as representation or warranty on our part and no statement herein shall be construed as recommendation to infringe existing patents. In the effort to improve our products, we reserve the right to make changes judged to be necessary.

| Draft | Date | Approved | Date | Rev. | Engineering change number | Name | Date |
|----------------|----------|---------------|----------|------|---------------------------|------------------|----------|
| Marcel Panicke | 20.03.15 | Markus Müller | 05.10.16 | c00 | 16-1659 | Marion Striegler | 05.10.16 |