



Chipsmall Limited consists of a professional team with an average of over 10 year of expertise in the distribution of electronic components. Based in Hongkong, we have already established firm and mutual-benefit business relationships with customers from,Europe,America and south Asia,supplying obsolete and hard-to-find components to meet their specific needs.

With the principle of “Quality Parts,Customers Priority,Honest Operation,and Considerate Service”,our business mainly focus on the distribution of electronic components. Line cards we deal with include Microchip,ALPS,ROHM,Xilinx,Pulse,ON,Everlight and Freescale. Main products comprise IC,Modules,Potentiometer,IC Socket,Relay,Connector.Our parts cover such applications as commercial,industrial, and automotives areas.

We are looking forward to setting up business relationship with you and hope to provide you with the best service and solution. Let us make a better world for our industry!



Contact us

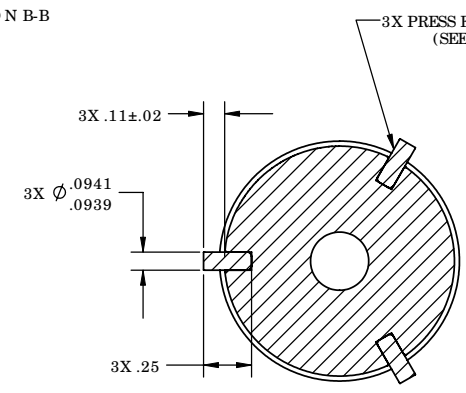
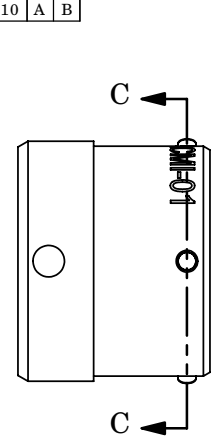
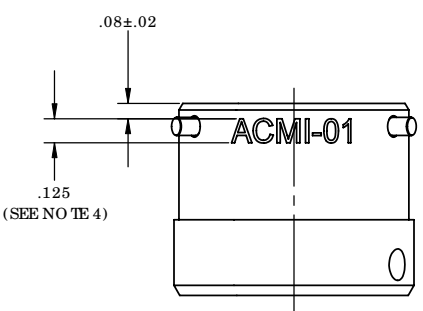
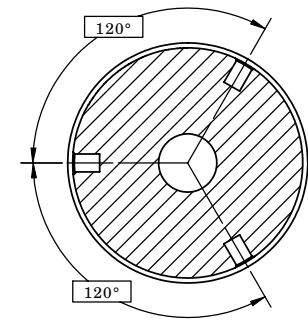
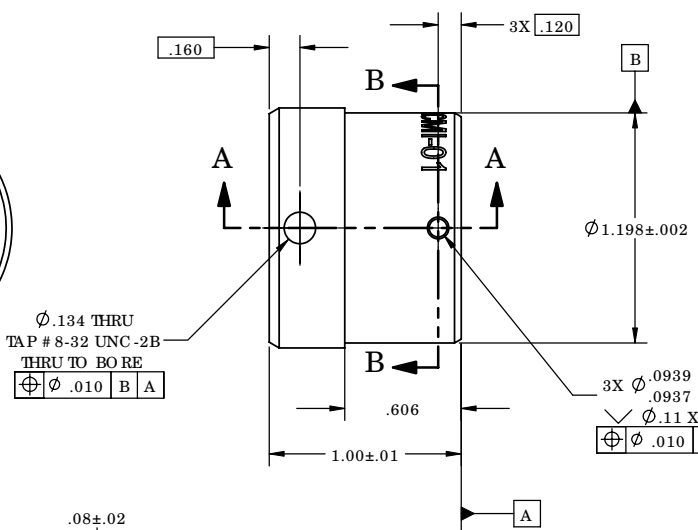
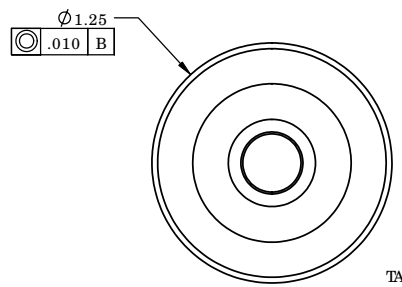
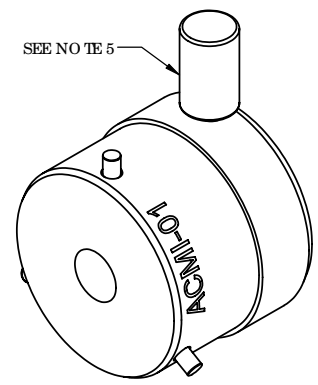
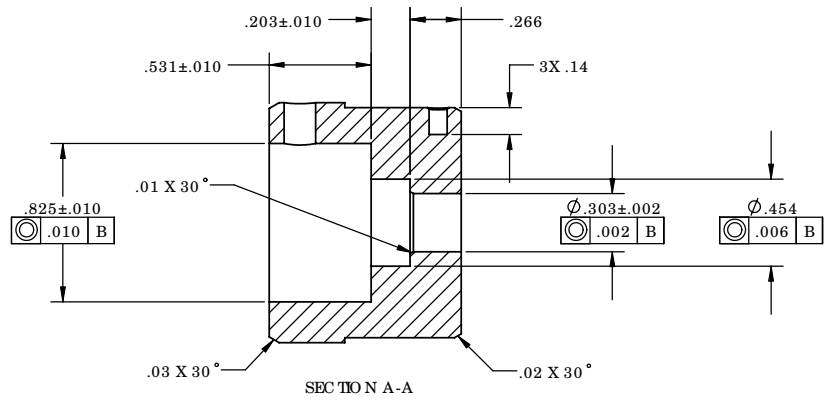
Tel: +86-755-8981 8866 Fax: +86-755-8427 6832

Email & Skype: info@chipsmall.com Web: www.chipsmall.com

Address: A1208, Overseas Decoration Building, #122 Zhenhua RD., Futian, Shenzhen, China



REVISIONS					
REV.	DESCRIPTION	ECO	DATE	DRWN	APPD
A	RELEASE TO PRODUCTION.	1418	11/09/09	SC	JAS



NOTES:

1. MATERIAL: 6061 ALUMINUM.
2. FINISH: CLEAR ANODIZED.
3. AMERICAN NATIONAL STANDARD HARDENED GROUND MACHINE DO WEL PINS OR APPROVED EQUIVALENT. DO WEL PINS TO BE ZINC PLATED.
4. LASER MARKINGS TO BE ARIAL FONT (.125 HIGH), CENTERED BETWEEN 2 DO WEL PINS AS SHOWN WITH RESPECT TO THE # 8-32 TAP.
5. THUMB SCREW (OPTO TECHNOLOGY P/N 63MT-0091) TO BE ASSEMBLED INTO # 8-32 TAP AS SHOWN.
6. PART TO BE FREE OF BURRS, SHARP EDGES AND FOREIGN MATERIAL.
7. UNLESS OTHERWISE SPECIFIED ALL FEATURES SHALL HAVE A PROFILE TOLERANCE OF .010 ALL OVER WITH RESPECT TO DATUMS A & B.
8. PART MUST BE ROHS COMPLIANT PER EUROPEAN UNION 2002/95/EC.
9. SEE CAD MODEL 64MT-0533_A.STEP FOR ADDITIONAL DIMENSIONS.

PROPRIETARY AND CONFIDENTIAL
 THE INFORMATION CONTAINED IN THIS DRAWING IS THE SOLE PROPERTY OF OPTO TECHNOLOGY INC. ANY REPRODUCTION IN PART OR AS A WHOLE WITHOUT THE WRITTEN PERMISSION OF OPTO TECHNOLOGY INC. IS PROHIBITED.

UNLESS OTHERWISE SPECIFIED:		NAME	DATE	OPTO TECHNOLOGY INC. 160 E. Marquardt Drive, Wheeling IL 60090	
DIMENSIONS ARE IN INCHES	TOLERANCES	SC	04/13/09	TITLE:	
ANGULAR ± 1 DEG	TWO PLACE DECIMAL ± 0.01	JAS	10/15/09	ADAPTOR, .299" DIA X .354" LG FERRULE, (ACMI-01)	
RESURFACE DECIMAL ± 0.005		JAS	10/15/09	SIZE	REV
				C	64MT-0533
				SCALE 2:1	WEIGHT
					SHEET 1 OF 1