



Chipsmall Limited consists of a professional team with an average of over 10 year of expertise in the distribution of electronic components. Based in Hongkong, we have already established firm and mutual-benefit business relationships with customers from,Europe,America and south Asia,supplying obsolete and hard-to-find components to meet their specific needs.

With the principle of “Quality Parts,Customers Priority,Honest Operation,and Considerate Service”,our business mainly focus on the distribution of electronic components. Line cards we deal with include Microchip,ALPS,ROHM,Xilinx,Pulse,ON,Everlight and Freescale. Main products comprise IC,Modules,Potentiometer,IC Socket,Relay,Connector.Our parts cover such applications as commercial,industrial, and automotives areas.

We are looking forward to setting up business relationship with you and hope to provide you with the best service and solution. Let us make a better world for our industry!



Contact us

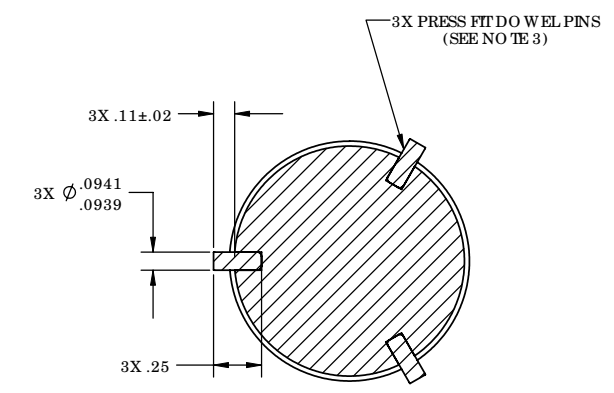
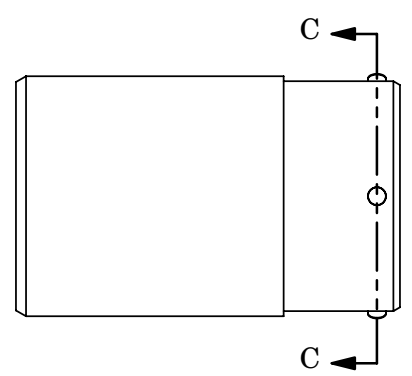
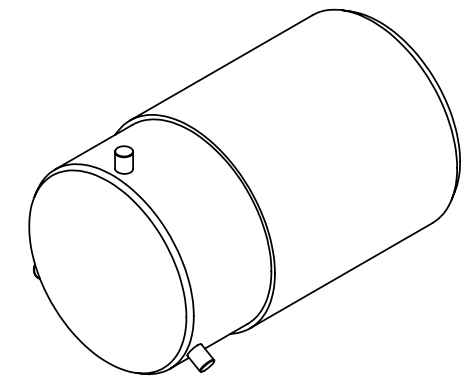
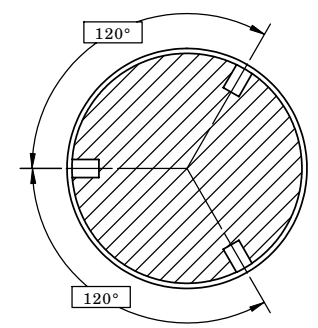
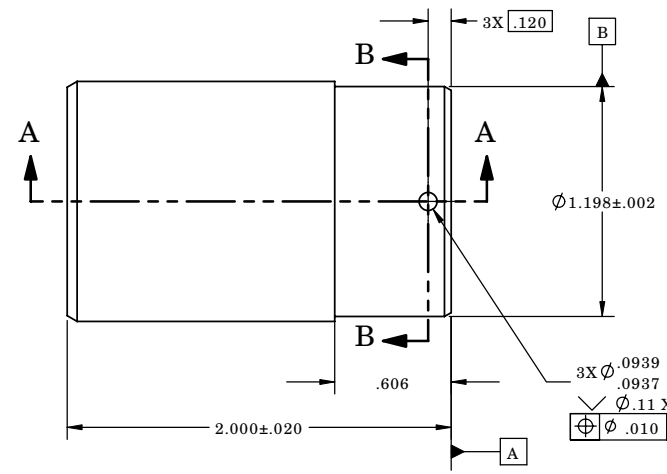
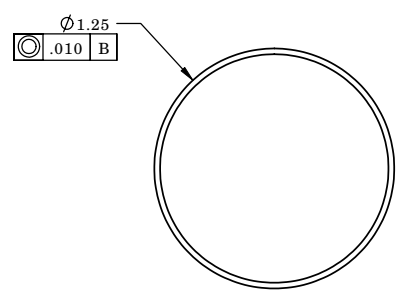
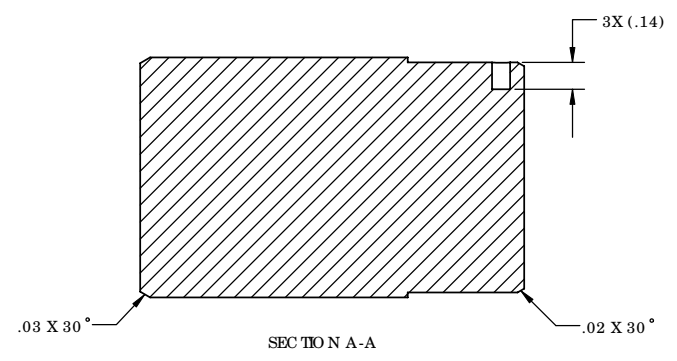
Tel: +86-755-8981 8866 Fax: +86-755-8427 6832

Email & Skype: info@chipsmall.com Web: www.chipsmall.com

Address: A1208, Overseas Decoration Building, #122 Zhenhua RD., Futian, Shenzhen, China



REVISIONS					
REV.	DESCRIPTION	ECO	DATE	DRWN	APPD
A	RELEASE TO PRODUCTION.	1418	11/30/09	SC	JAS



- NOTES:
1. MATERIAL: 6061 ALUMINUM.
 2. FINISH: CLEAR ANODIZED.
 3. AMERICAN NATIONAL STANDARD HARDENED GROUND MACHINE DOWEL PINS OR APPROVED EQUIVALENT DOWEL PINS TO BE ZINC PLATED.
 4. PART TO BE FREE OF BURRS, SHARP EDGES, AND FOREIGN MATERIAL.
 5. UNLESS OTHERWISE SPECIFIED ALL FEATURES SHALL HAVE A PROFILE TOLERANCE OF .010 ALL OVER WITH RESPECT TO DATUMS A & B.
 6. PART MUST BE ROHS COMPLIANT PER EUROPEAN UNION 2002/95/EC.
 7. SEE CAD MODEL FOR ADDITIONAL DIMENSIONS.
 8. FOR MACHINING INSTRUCTIONS ON CONVERTING BLANK TO FUNCTIONAL ADAPTER, REFERENCED DOCUMENT NUMBER 64MT-0535-13.

PROPRIETARY AND CONFIDENTIAL
 THE INFORMATION CONTAINED IN THIS DRAWING IS THE SOLE PROPERTY OF OPTO TECHNOLOGY INC. ANY REPRODUCTION IN PART OR AS A WHOLE WITHOUT THE WRITTEN PERMISSION OF OPTO TECHNOLOGY INC. IS PROHIBITED.

UNLESS OTHERWISE SPECIFIED:		NAME	DATE	OPTO TECHNOLOGY INC. 160 E. Marquardt Drive, Wheeling IL 60090	
DIMENSIONS ARE IN INCHES TOLERANCES:	SC	SC	04/06/09	TITLE:	
ANGULAR ± 1 DEG	JAS	JAS	11/30/09	ADAPTOR, BLANK	
TWO PLACE DECIMAL ± 0.10	JAS	JAS	11/30/09	SIZE DWG. NO.	
THREE PLACE DECIMAL ± 0.05	JAS	JAS	11/30/09	C 64MT-0535	
MATERIAL:	FINISH:	COMMENTS:		REV	
INDUSTRIAL	USED ON:			A	
APPLICATION:	DO NOT SCALE DRAWING			SCALE 2:1 WEIGHT SHEET 1 OF 1	