



Chipsmall Limited consists of a professional team with an average of over 10 year of expertise in the distribution of electronic components. Based in Hongkong, we have already established firm and mutual-benefit business relationships with customers from,Europe,America and south Asia,supplying obsolete and hard-to-find components to meet their specific needs.

With the principle of “Quality Parts,Customers Priority,Honest Operation,and Considerate Service”,our business mainly focus on the distribution of electronic components. Line cards we deal with include Microchip,ALPS,ROHM,Xilinx,Pulse,ON,Everlight and Freescale. Main products comprise IC,Modules,Potentiometer,IC Socket,Relay,Connector.Our parts cover such applications as commercial,industrial, and automotives areas.

We are looking forward to setting up business relationship with you and hope to provide you with the best service and solution. Let us make a better world for our industry!



Contact us

Tel: +86-755-8981 8866 Fax: +86-755-8427 6832

Email & Skype: info@chipsmall.com Web: www.chipsmall.com

Address: A1208, Overseas Decoration Building, #122 Zhenhua RD., Futian, Shenzhen, China



4

3

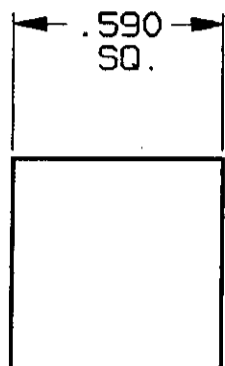
2

1

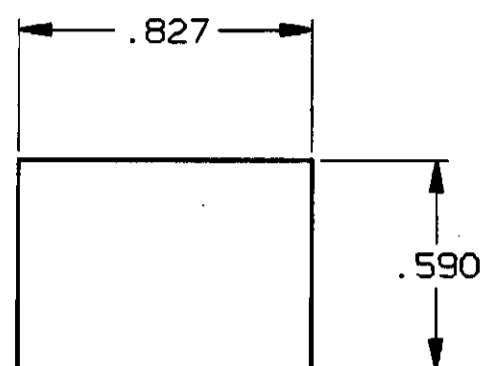
CONVERSION CHART	
INCH	MM
.010	0,25
.146	3,71
.257	6,53
.350	8,89
.385	9,78
.421	10,69
.590	15,00
.591	15,01
.827	21,00

NOTES:

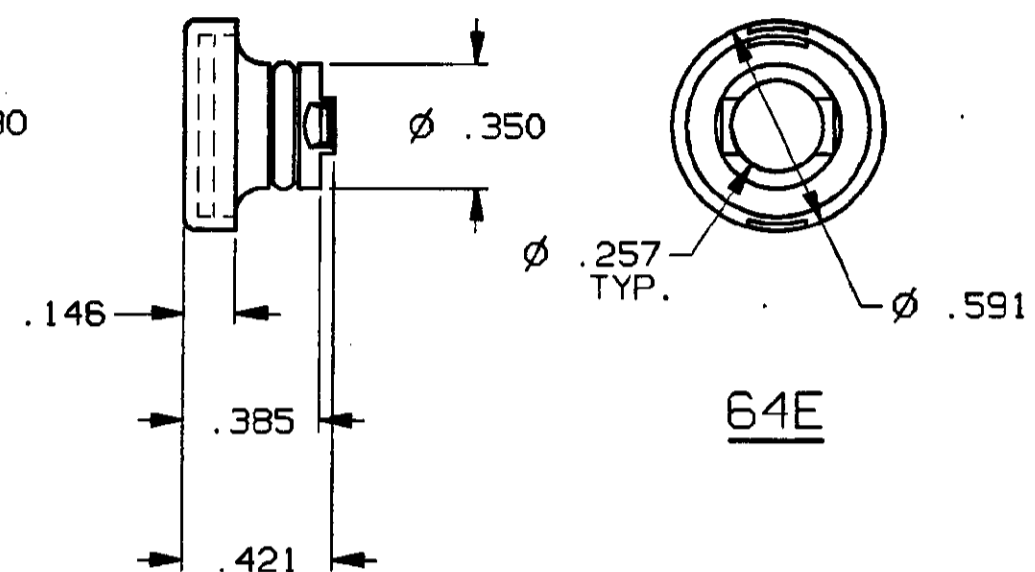
- INTERPRET DRAWING PER ASME Y14.5M-1994.
- LENS BUTTON SET INCLUDES:
(*) PLASTIC DEFUSER BUTTON
CLEAR PLASTIC COVER.
- FITS BOTH OILTIGHT AND NON-OILTIGHT MODELS.
- (*) SPECIFY COLOR: (2) = RED
(3) = ORANGE
(4) = YELLOW
(5) = GREEN
(6) = BLUE
(9) = WHITE/CLEAR



64S



64T



64E



OUTLINE DRAWING
SPECIFICATIONS ARE SUBJECT TO CHANGES WITHOUT NOTICE

THIS IS A C.A.D. GENERATED DRAWING.
DO NOT MAKE MANUAL REVISIONS TO MASTER.

REV	A	B	3
REVISIONS	INITIAL RELEASE ESR#D506 PS 12-8-87 APP'D: SMM 12-8-87	REVISED ECO#3147 T.H. 3-1-89 APP'D: C.F. 3-1-89	REVISED ECO#392-95 S.KIRCORTAN 6-14-95 APP'D: <i>MLL 6/2/95</i>

THIRD ANGLE PROJECTION

TOLERANCES (EXCEPT AS NOTED)
ANGULAR = ±1°
DECIMAL .XX = ±
DECIMAL .XXX = ±.010
DECIMAL .XXXX = ±

AUGAT CONFIDENTIAL
This document contains information which is the exclusive property of Augat Inc.
Distribution, reproduction or use by others is not permitted without the expressed written consent of Augat Inc.

UNLESS OTHERWISE SPECIFIED DIMENSIONS ARE IN INCHES DO NOT SCALE PRINT

FILE NAME: 80811OUT DIRECTORY: PSHSWTCH

MATERIAL:
SEE SPECIFICATIONS

FINISH:
SEE SPECIFICATIONS

ORIGINAL DATE OF DRAWING: 12-9-87

DRAWN: L.M.	DATE: 3-1-89
CHECKED: P.S.	DATE: 12-9-87
APPROVED: S.M.M.	DATE: 12-9-87

CODE IDENT. NO. 91506 DWG. SIZE C

NEXT ASSY:

AUGAT INC. 452 JOHN DIETSCH BLVD. ATTLEBORO FALLS, MASS. 02763

TITLE: **OUTLINE DRAWING**
LENS SET
64*-* SERIES

DWG. NO. 80811 REV. 3

PRODUCT CODE:
SCALE: SHEET 1 OF 1