



Chipsmall Limited consists of a professional team with an average of over 10 year of expertise in the distribution of electronic components. Based in Hongkong, we have already established firm and mutual-benefit business relationships with customers from,Europe,America and south Asia,supplying obsolete and hard-to-find components to meet their specific needs.

With the principle of “Quality Parts,Customers Priority,Honest Operation,and Considerate Service”,our business mainly focus on the distribution of electronic components. Line cards we deal with include Microchip,ALPS,ROHM,Xilinx,Pulse,ON,Everlight and Freescale. Main products comprise IC,Modules,Potentiometer,IC Socket,Relay,Connector.Our parts cover such applications as commercial,industrial, and automotives areas.

We are looking forward to setting up business relationship with you and hope to provide you with the best service and solution. Let us make a better world for our industry!



Contact us

Tel: +86-755-8981 8866 Fax: +86-755-8427 6832

Email & Skype: info@chipsmall.com Web: www.chipsmall.com

Address: A1208, Overseas Decoration Building, #122 Zhenhua RD., Futian, Shenzhen, China



4

3

2

1

DRAWING MADE IN THIRD ANGLE PROJECTION

THIS DRAWING IS UNPUBLISHED. RELEASED FOR PUBLICATION . 19 .
 © COPYRIGHT 19 BY AMP INCORPORATED, HARRISBURG, PA. ALL INTERNATIONAL RIGHTS RESERVED. AMP PRODUCTS MAY BE COVERED BY U.S. AND FOREIGN PATENTS AND/OR PATENTS PENDING

LOC	DIST	P	F	REVISIONS			
				ZONE	LTR	DATE	APPR
AD	14			0	REL PER 86-5256-216	6/4/87	PF
				A	REV PER AD1948	10/87	LW
				B	REV PER AD2378	4/88	CP
				C	REV PER AD2670	6/88	CP

45° TYP
 .610
 .269
 .020
 .150
 .103
 .068
 30°

△ MATERIAL 94-VO POLYESTER, COLOR: NATURAL

.610 LONG
 -1
 FIG. 1

.033
 .057

FIG. 2	KEY PLUG, SHCRT	650025-2
FIG. 1	KEY PLUG, LONG	650025-1
LENGTH	DESCRIPTION	PART NO

UNLESS OTHERWISE SPECIFIED DIMENSIONS ARE IN INCHES TOLERANCES ON: 2 PL DEC ± — 3 PL DEC ± .005 ANGLES ± 3°	DR <i>C. PIERCE</i> 1-16-87	AMP AMP INCORPORATED Harrisburg, Pa. 17105		
	CHK <i>J. DIORAZIO</i>			
	MATERIAL △	APPD <i>J. DIORAZIO</i>	NAME KEY PLUG INTERCONTACT	
	FINISH	PRODUCT SPEC		
	APPLICATION SPEC	SIZE C	FSCM NO 00779	DRAWING NO 650025
	WEIGHT	SCALE 10:1	SHEET 1 OF 2	

AMP 1471-7 REV 10-84

CUSTOMER DRAWING

650025

THIS DRAWING IS UNPUBLISHED. RELEASED FOR PUBLICATION . 19 .
© COPYRIGHT 19 BY AMP INCORPORATED, HARRISBURG, PA. ALL INTERNATIONAL RIGHTS RESERVED. AMP PRODUCTS MAY BE COVERED BY U.S. AND FOREIGN PATENTS AND/OR PATENTS PENDING

LOC		DIST		P		F		ZONE		LTR		REVISIONS		
AD	14											DESCRIPTION	DATE	APPR
												SEE SHEET ONE		

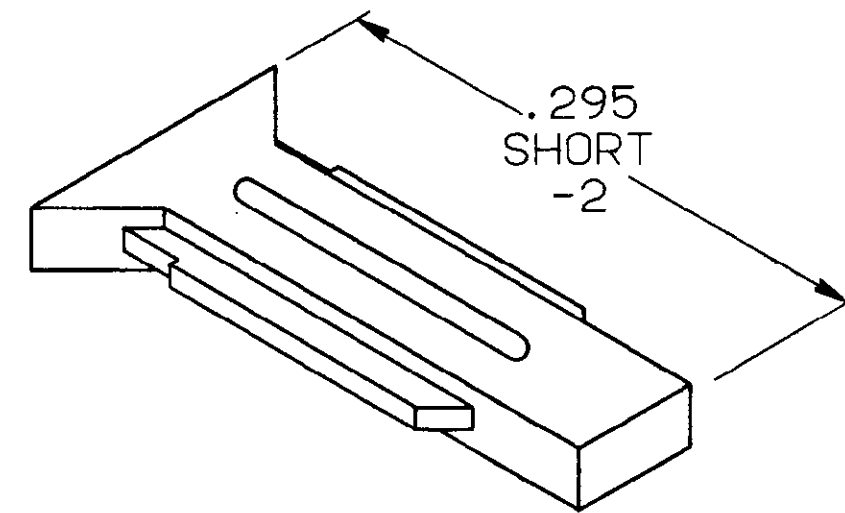
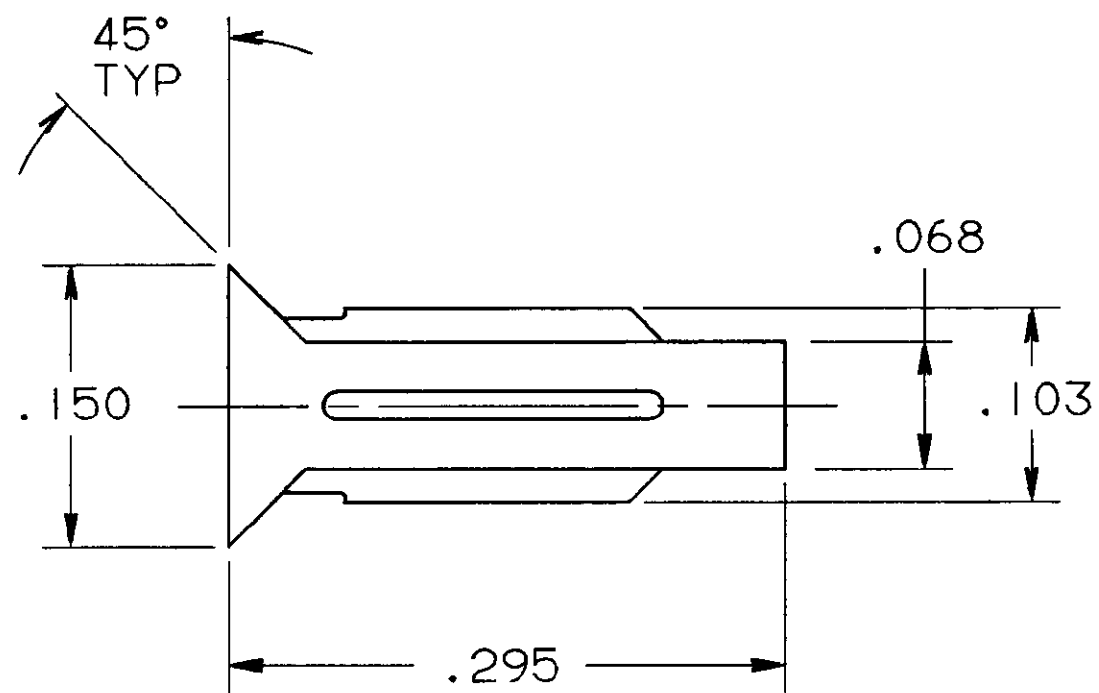
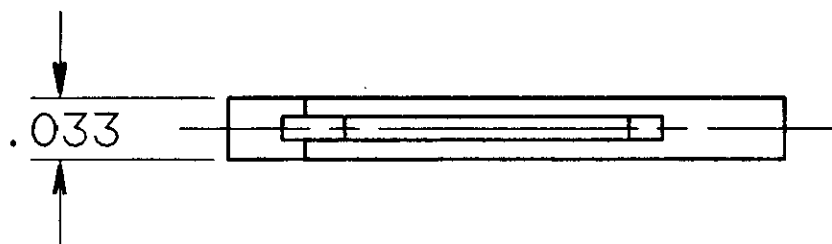


FIG. 2



650025

UNLESS OTHERWISE SPECIFIED DIMENSIONS ARE IN INCHES TOLERANCES ON: 2 PL DEC * — 3 PL DEC * — ANGLES ± 3°	DR <i>C. PIERCE</i> 1-16-87	AMP AMP INCORPORATED Harrisburg, Pa. 17105		
	CHK <i>J. DIORAZIO</i>			
	MATERIAL	NAME KEY PLUG INTERCONTACT		
	FINISH	APPD <i>J. DIORAZIO</i>	SIZE C	FSCM NO 00779
	PRODUCT SPEC	SCALE 10:1	SHEET 2 OF 2	
	APPLICATION SPEC			
	WEIGHT			