



Chipsmall Limited consists of a professional team with an average of over 10 year of expertise in the distribution of electronic components. Based in Hongkong, we have already established firm and mutual-benefit business relationships with customers from,Europe,America and south Asia,supplying obsolete and hard-to-find components to meet their specific needs.

With the principle of “Quality Parts,Customers Priority,Honest Operation,and Considerate Service”,our business mainly focus on the distribution of electronic components. Line cards we deal with include Microchip,ALPS,ROHM,Xilinx,Pulse,ON,Everlight and Freescale. Main products comprise IC,Modules,Potentiometer,IC Socket,Relay,Connector.Our parts cover such applications as commercial,industrial, and automotives areas.

We are looking forward to setting up business relationship with you and hope to provide you with the best service and solution. Let us make a better world for our industry!



## Contact us

Tel: +86-755-8981 8866 Fax: +86-755-8427 6832

Email & Skype: info@chipsmall.com Web: www.chipsmall.com

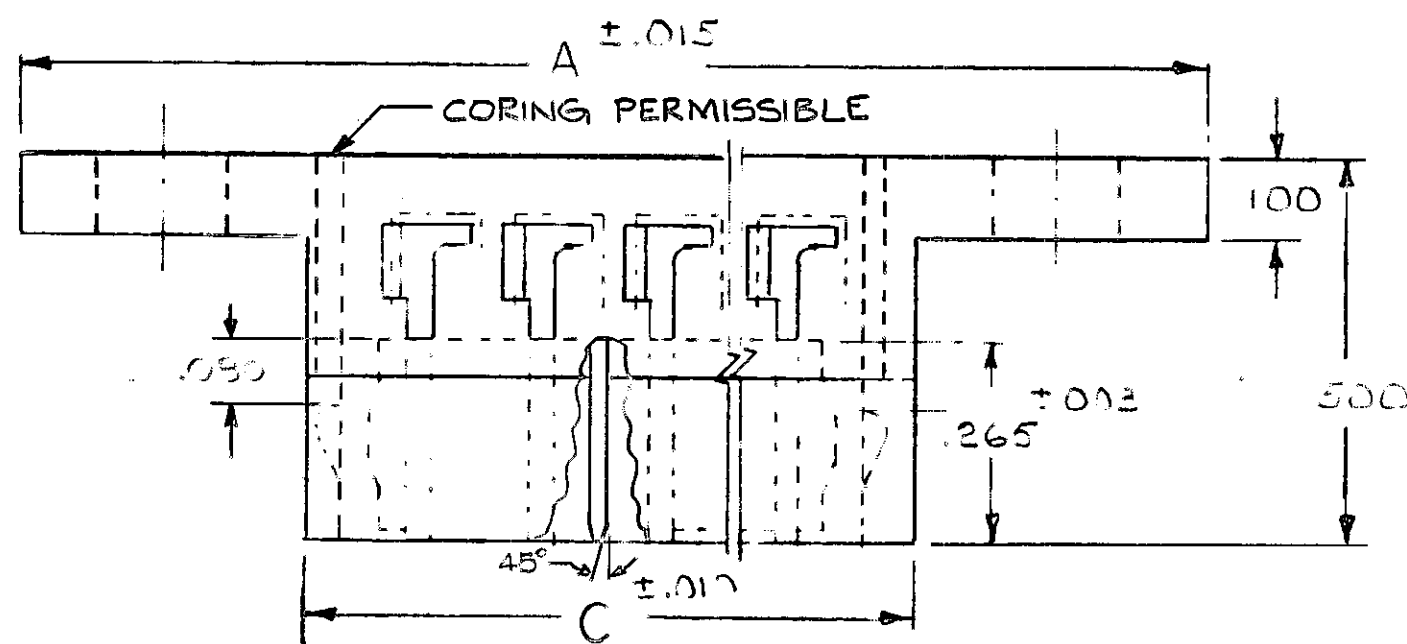
Address: A1208, Overseas Decoration Building, #122 Zhenhua RD., Futian, Shenzhen, China



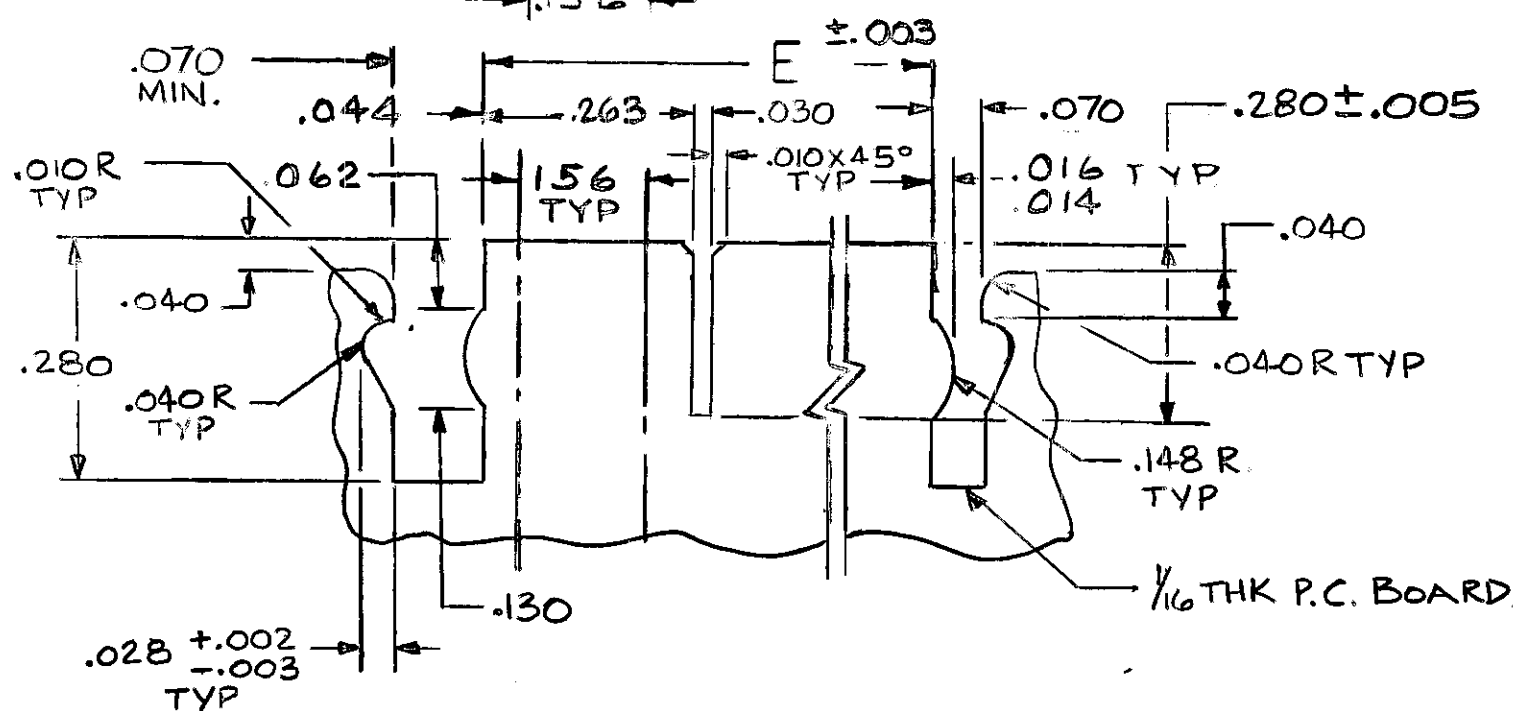
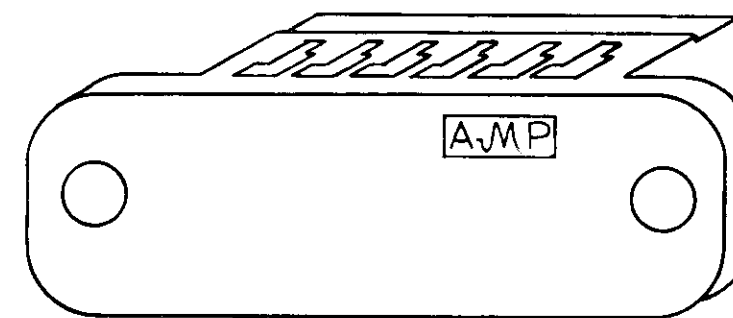
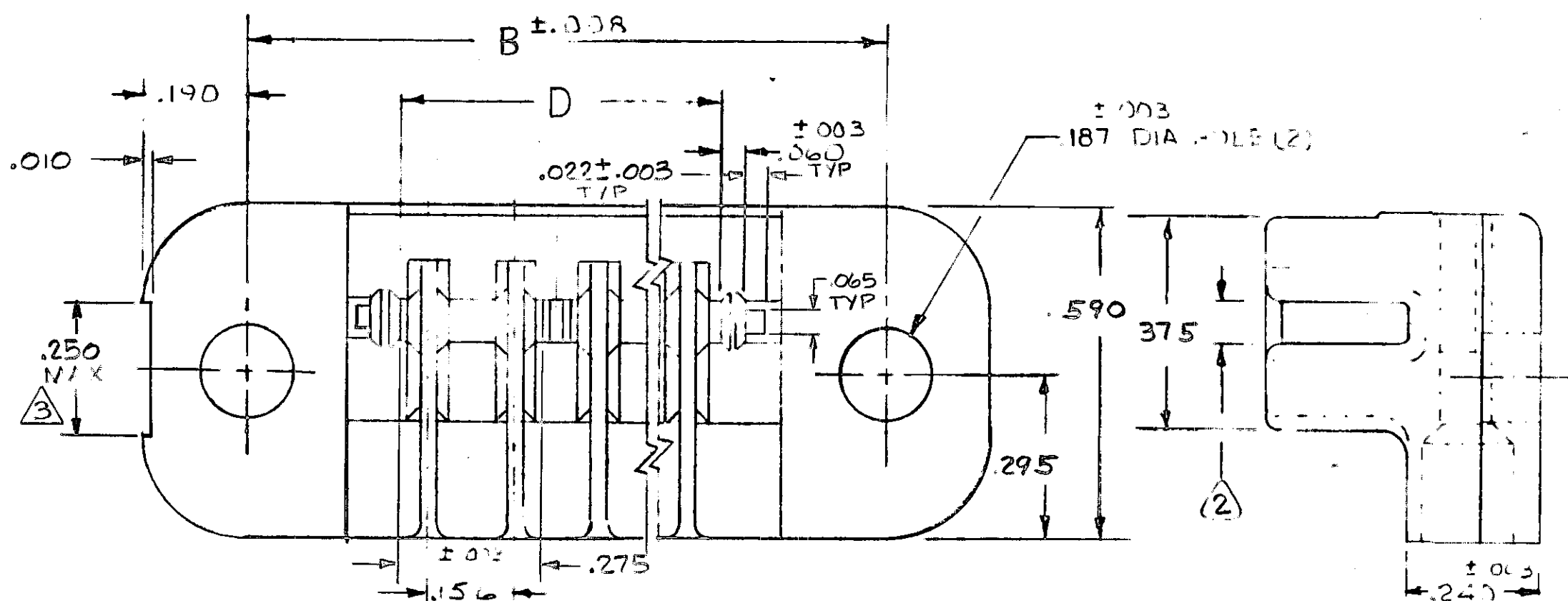
© COPYRIGHT 19 BY AMP INCORPORATED, HARRISBURG, PA.  
ALL INTERNATIONAL RIGHTS RESERVED. AMP INCORPORATED PRODUCTS  
COVERED BY U. S. AND FOREIGN PATENTS AND OR PATENTS PENDING.

Unpublished copy not to be reproduced without written permission of AMP

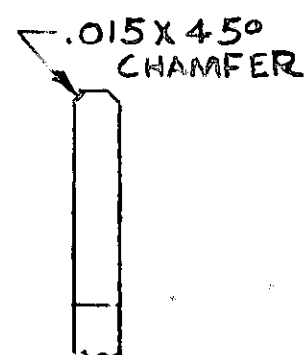
REVISIONS					
REV	ZONE	LTR	DESCRIPTION	DATE	APPROVED
✓		O	REL-1 PER 87-5125-101-02	9-5-85	HWK
✓		A	REV PER AD 1753	12-8-87	LEW
✓		B	REV PER AD 2044	12-8-87	LEW
✓		C	REV PER 0010-0551-94	6-9-71	HWK
✓		D	REV PER 0010-1143-95	11-95	PB



1 CARD EDGE AND MOUNTING HOLE DIMENSIONS TO BE CHECKED WITH HOUSING RESTRAINED AS MOUNTED  
 2 FIT FOR .055- .070 P.C. BOARD  
 3 SLOT OPTIMIZED FIT FOR MOUNTING EAR



BOARD LAY OUT



1.337	1.350	1.560	1.940	2.320	9	650048-1
F	D	C	B	A	NO. OF POS	PART NO

UNLESS OTHERWISE SPECIFIED DIMENSIONS ARE IN INCHES TOLERANCES ON: DECIMALS .005 ANGLES	CONTRACT NO	AMP INCORPORATED Harrisburg Pa	
	DR <i>L. Wachman</i> 5/01/87	NAME	
	CHK <i>Howard W. Dore</i> 5/18/87	HOUSING, DUO-TYNE FLAG WITH MOUNTING EARS.	
	APPD <i>Howard W. Dore</i> 5/18/87	SIZE CODE IDENT NO DRAWING NO	
MATERIAL NYLON	JSGN APPD	C	00779 650048
FINISH	OTHER APPD	SCALE 1-1	SHEET