



Chipsmall Limited consists of a professional team with an average of over 10 year of expertise in the distribution of electronic components. Based in Hongkong, we have already established firm and mutual-benefit business relationships with customers from,Europe,America and south Asia,supplying obsolete and hard-to-find components to meet their specific needs.

With the principle of "Quality Parts,Customers Priority,Honest Operation,and Considerate Service",our business mainly focus on the distribution of electronic components. Line cards we deal with include Microchip,ALPS,ROHM,Xilinx,Pulse,ON,Everlight and Freescale. Main products comprise IC,Modules,Potentiometer,IC Socket,Relay,Connector.Our parts cover such applications as commercial,industrial, and automotives areas.

We are looking forward to setting up business relationship with you and hope to provide you with the best service and solution. Let us make a better world for our industry!



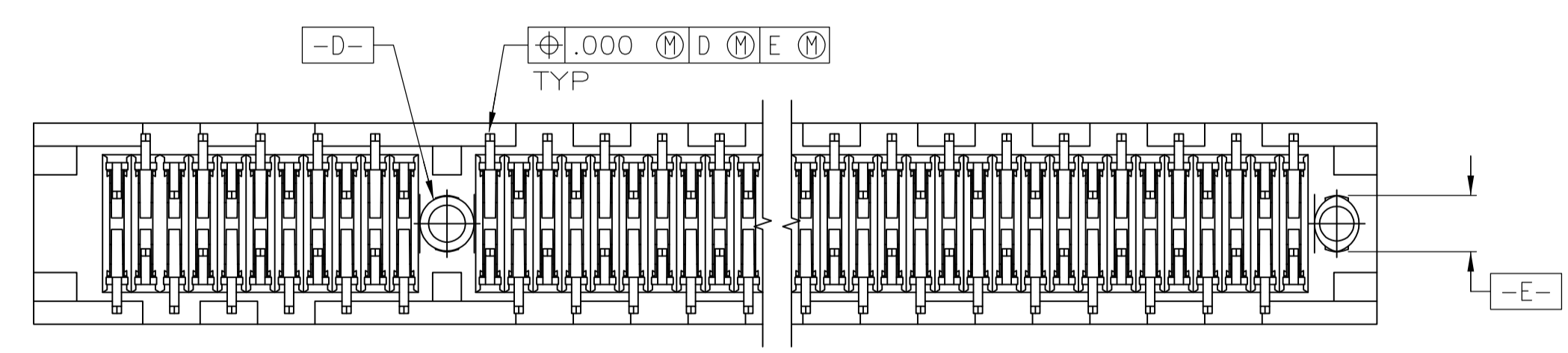
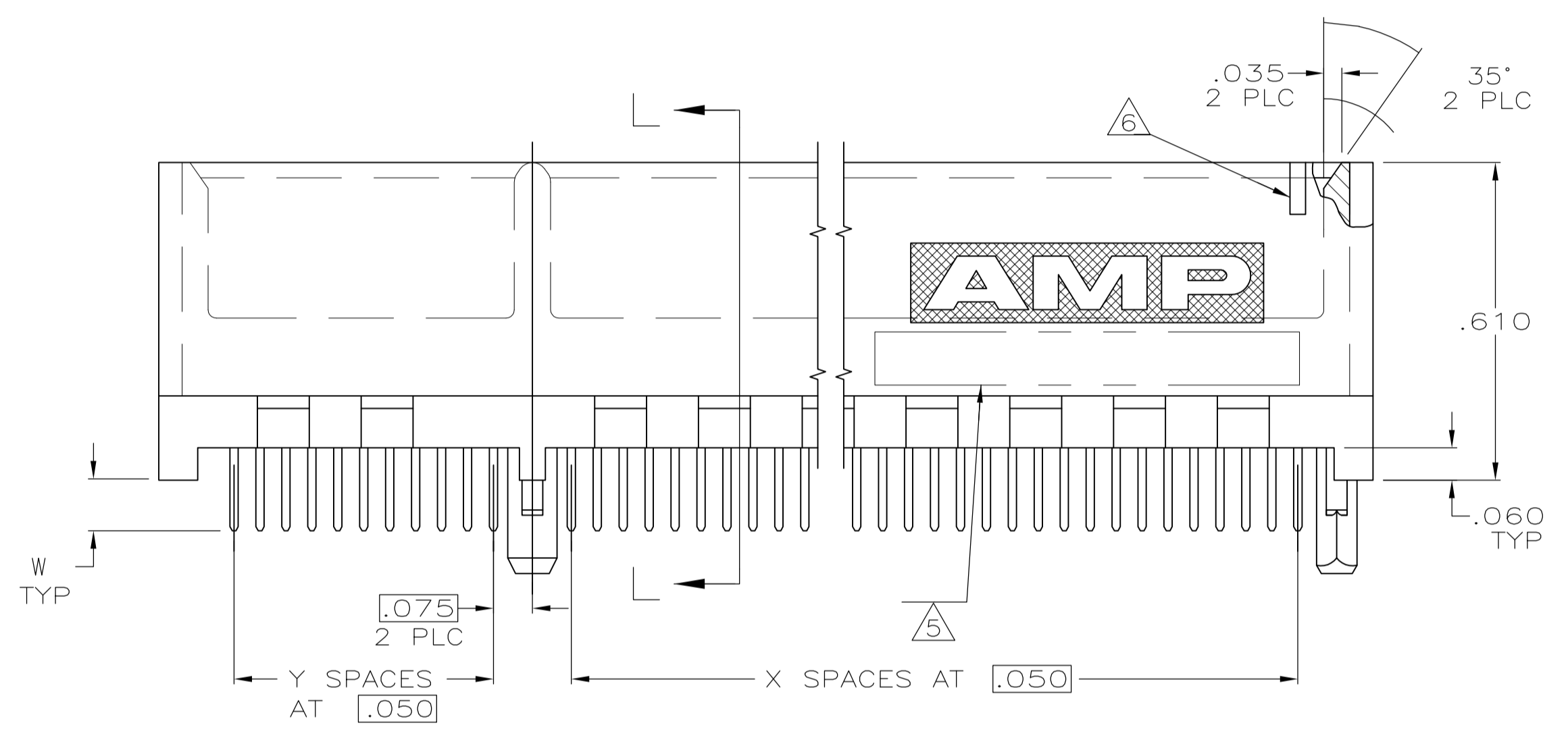
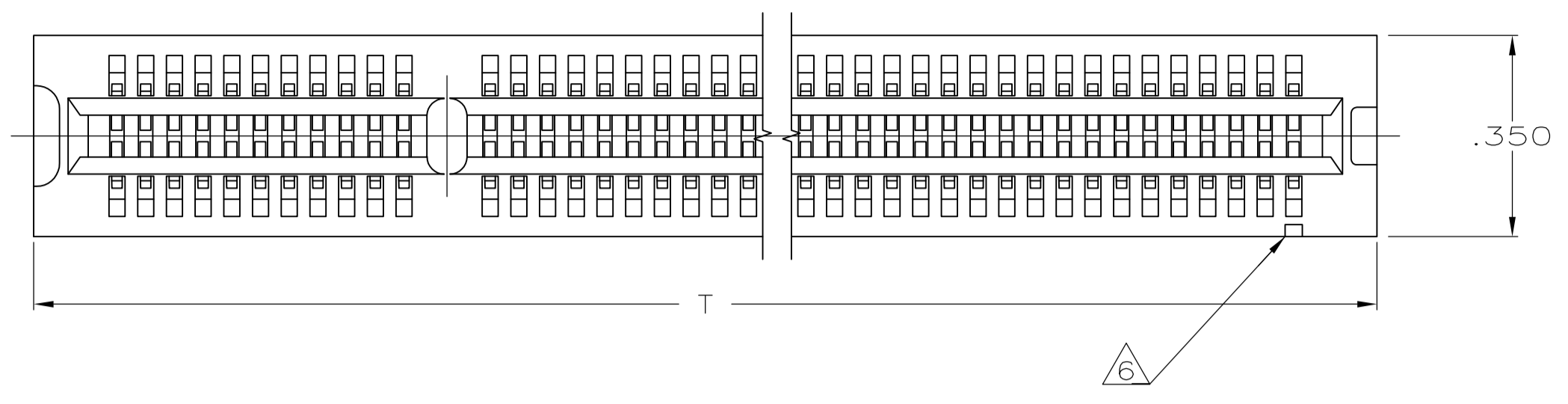
Contact us

Tel: +86-755-8981 8866 Fax: +86-755-8427 6832

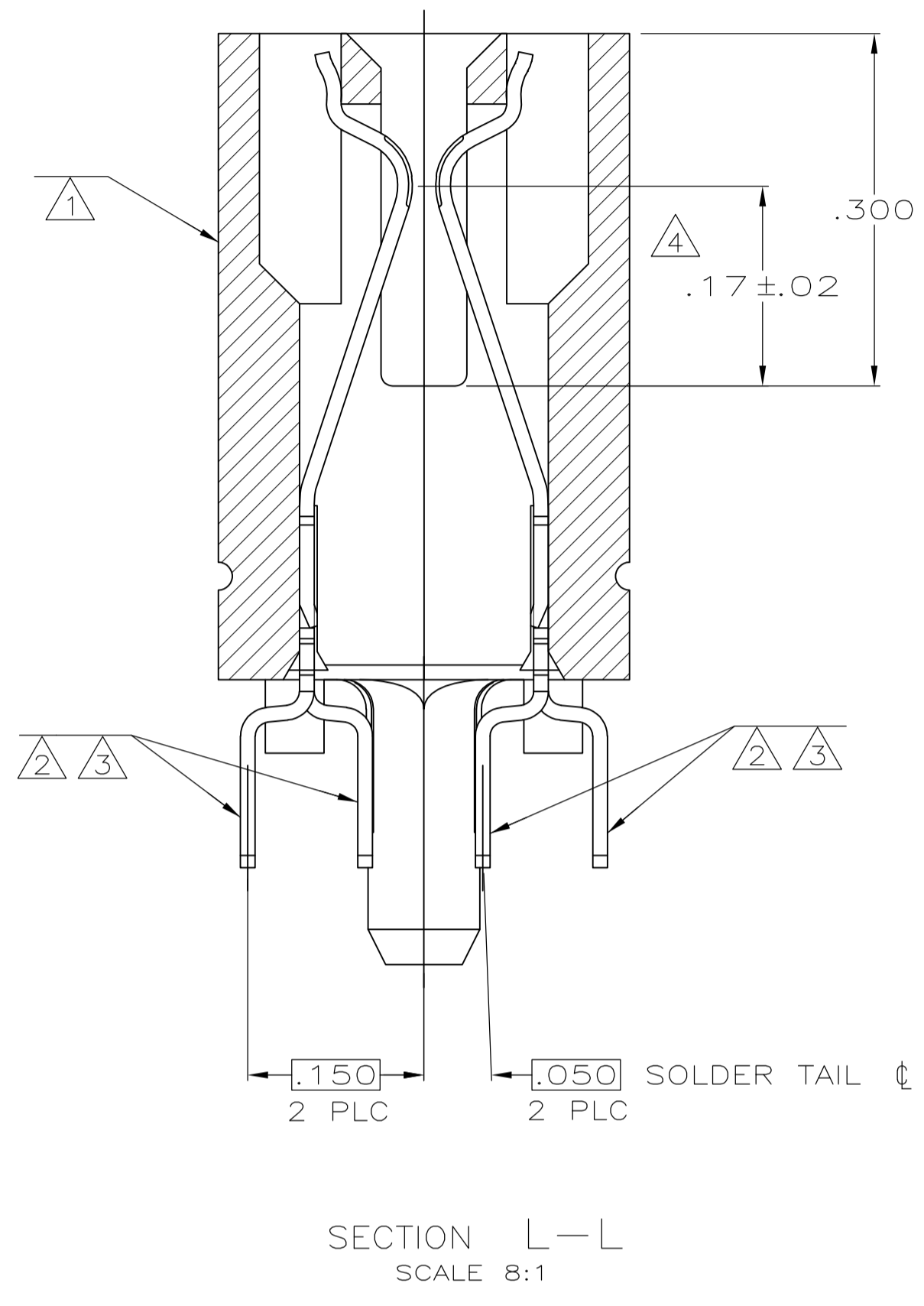
Email & Skype: info@chipsmall.com Web: www.chipsmall.com

Address: A1208, Overseas Decoration Building, #122 Zhenhua RD., Futian, Shenzhen, China





SEE SHEET 2 FOR HOLE PATTERNS



- 1 HOUSING: HIGH TEMPERATURE THERMOPLASTIC. COLOR: BROWN.
- 2 CONTACT: PHOSPHOR BRONZE.
- 3 CONTACT FINISH: .000100 MIN NICKEL ALL OVER, .000030 MIN GOLD OVER NICKEL IN CONTACT AREA, .000100 MIN TIN-LEAD OVER NICKEL ON SOLDER TAILS.
- 4 DISTANCE FROM CONTACT POINT TO BOTTOM OF CARD SLOT.
- 5 AMP PART NUMBER, DATE CODE AND CSA LOGO MARKED IN APPROXIMATE AREA SHOWN.
- 6 PIN ONE IDENTIFIER NOTCH ONLY ON PART NUMBERS INDICATED.
- 7 OBSOLETE PARTS: OBSOLETE CIS STREAMLINING PER D.RENAUD/D.SINISI

	.125	NO	B	1.800	1.760	2.59	.610	10	33	45	1-650090-4
OBSOLETE	.140	NO	B	1.800	1.760	2.59	.610	10	33	45	1-650090-3
	.140	NO	A	1.050	1.010	1.84	.610	10	18	30	1-650090-2
OBSOLETE	.140	NO	C	2.200	2.160	4.34	1.960	37	41	80	1-650090-1
OBSOLETE	.100	NO	B	2.100	2.060	4.59	2.310	44	39	85	1-650090-0
	.100	NO	C	2.200	2.160	4.34	1.960	37	41	80	650090-9
OBSOLETE	.125	YES	A	2.350	2.310	3.14	.610	10	44	56	650090-8
	.100	NO	B	.700	.660	1.49	.610	10	11	23	650090-7
	.100	NO	A	1.050	1.010	1.84	.610	10	18	30	650090-6
OBSOLETE	.100	NO	A	2.550	2.510	3.34	.610	10	48	60	650090-5
OBSOLETE	.100	NO	A	.550	.510	1.34	.610	10	8	20	650090-4
	.100	NO	A	1.550	1.510	2.34	.610	10	28	40	650090-3
	.100	NO	B	1.800	1.760	2.59	.610	10	33	45	650090-2
	.100	YES	A	2.350	2.310	3.14	.610	10	44	56	650090-1
W	PIN ONE IDENTIFIER	HOLE PATTERN	V	U	T	S	Y	X	NO OF DUAL POSN	PART NUMBER	

THIS DRAWING IS A CONTROLLED DOCUMENT. DIN K.L.CLOUSER/UTA 3/20/91
CHK M. BOWERS 7-22-91

DIMENSIONS: INCHES. TOLERANCES UNLESS OTHERWISE SPECIFIED:
0 PLC ± -
1 PLC ± -
2 PLC ± .01
3 PLC ± .005
4 PLC ± - ± .01
ANGLES ± - ± .1

MATERIAL: HOUSING 1, CONTACT 2. FINISH: CONTACT FINISH 3.

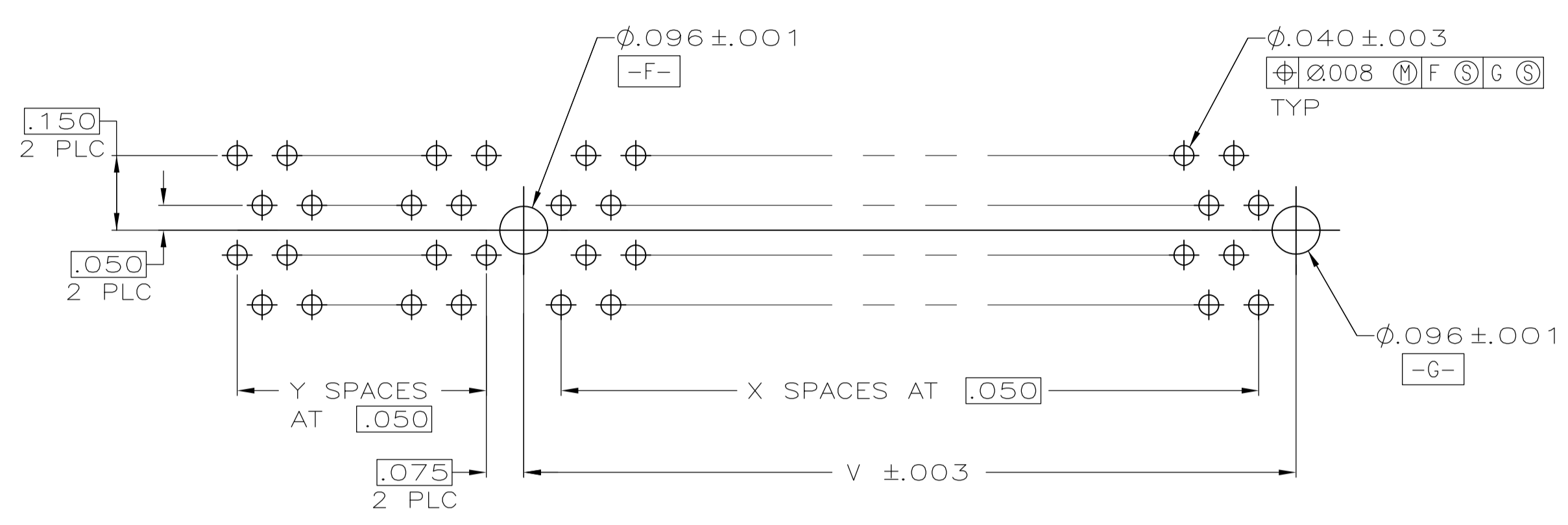
PRODUCT SPEC: 108-14034
APPLICATION SPEC: 114-26012

NAME: CONNECTOR ASSEMBLY, DUAL POSITION, .050 SERIES.

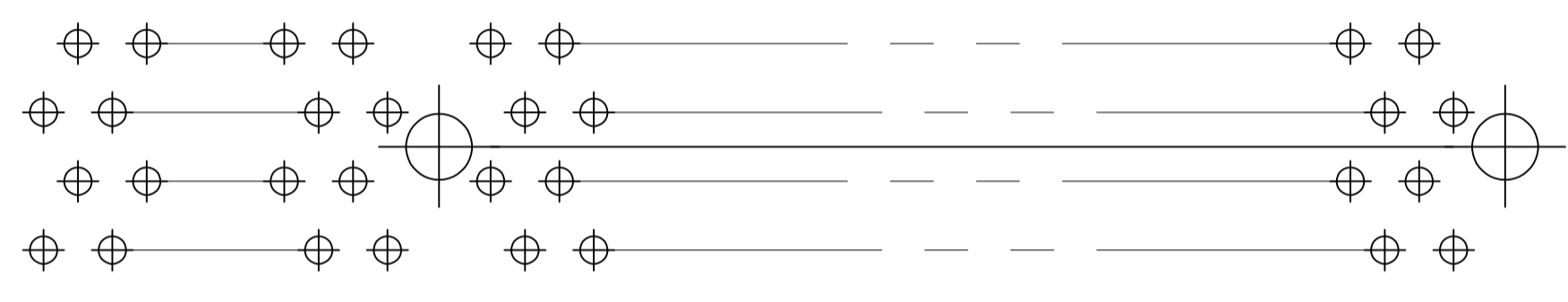
SIZE: A1. CAGE CODE: 00779. DRAWING NO: 650090. RESTRICTED TO: -

WEIGHT: -. SCALE: 4:1. SHEET: 1 OF 2. REV: AA2.

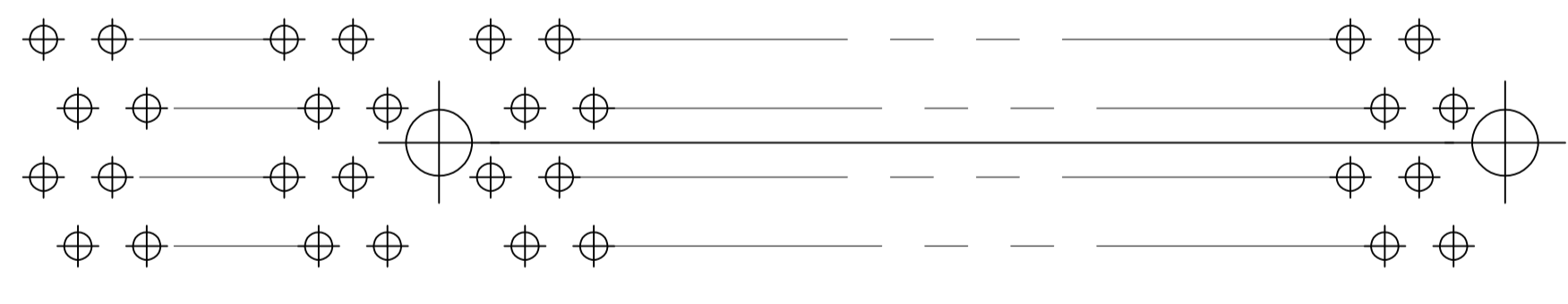
CUSTOMER DRAWING



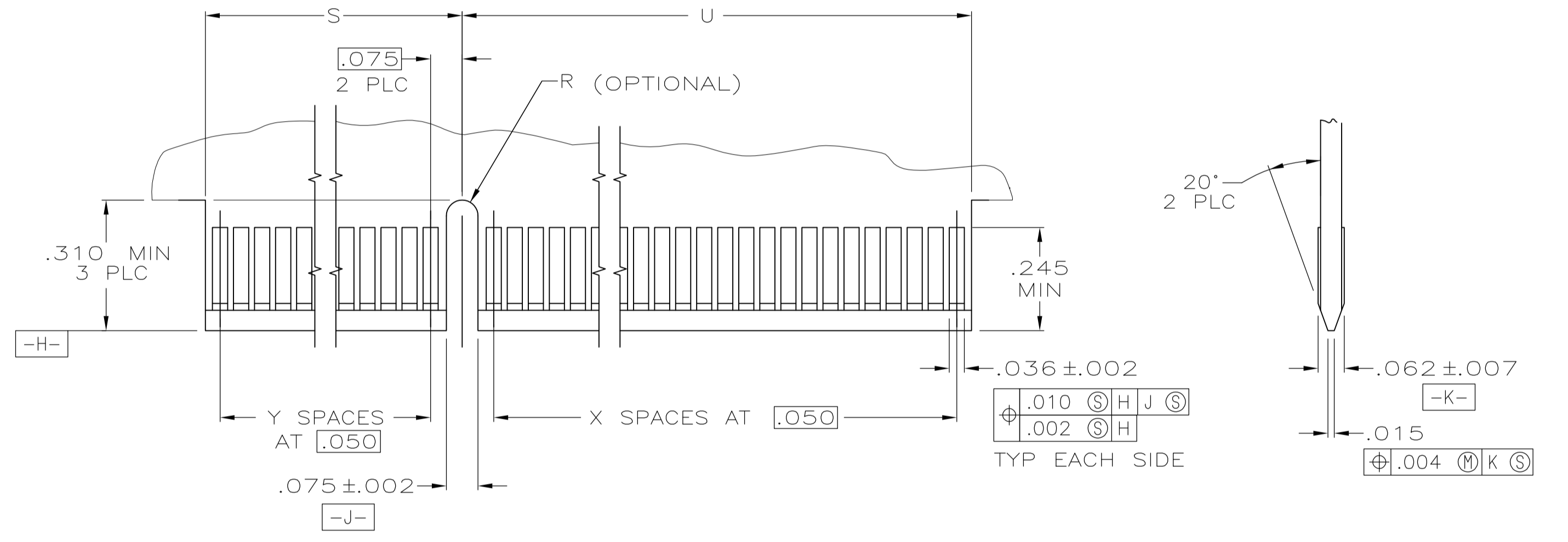
RECOMMENDED CONNECTOR MOUNTING HOLE PATTERN A
(CONNECTOR SIDE SHOWN)



RECOMMENDED CONNECTOR MOUNTING HOLE PATTERN B
(CONNECTOR SIDE SHOWN)



RECOMMENDED CONNECTOR MOUNTING HOLE PATTERN C
(CONNECTOR SIDE SHOWN)



RECOMMENDED MATING BOARD EDGE CONFIGURATION
(CONNECTOR SIDE SHOWN)

THIS DRAWING IS A CONTROLLED DOCUMENT.		DIN 3/20/91		K.L.CLOUSER/UTA		7-22-91		STE TE Connectivity	
DIMENSIONS: INCHES		TOLERANCES UNLESS OTHERWISE SPECIFIED:		CHK M. BOWERS		APVD		NAME	
0 PLC ± -		1 PLC ± -		PRODUCT SPEC		108-14034		CONNECTOR ASSEMBLY	
2 PLC ± .01		3 PLC ± .005		APPLICATION SPEC		114-26012		DUAL POSITION	
4 PLC ± ± 2°		ANGLES		SIZE		A1		RESTRICTED TO	
MATERIAL SEE SHEET 1		FINISH SEE SHEET 1		WEIGHT		00779C=650090		SCALE 4:1 SHEET 2 OF 2 REV AA2	
				CUSTOMER DRAWING					