



Chipsmall Limited consists of a professional team with an average of over 10 year of expertise in the distribution of electronic components. Based in Hongkong, we have already established firm and mutual-benefit business relationships with customers from,Europe,America and south Asia,supplying obsolete and hard-to-find components to meet their specific needs.

With the principle of "Quality Parts,Customers Priority,Honest Operation,and Considerate Service",our business mainly focus on the distribution of electronic components. Line cards we deal with include Microchip,ALPS,ROHM,Xilinx,Pulse,ON,Everlight and Freescale. Main products comprise IC,Modules,Potentiometer,IC Socket,Relay,Connector.Our parts cover such applications as commercial,industrial, and automotives areas.

We are looking forward to setting up business relationship with you and hope to provide you with the best service and solution. Let us make a better world for our industry!



Contact us

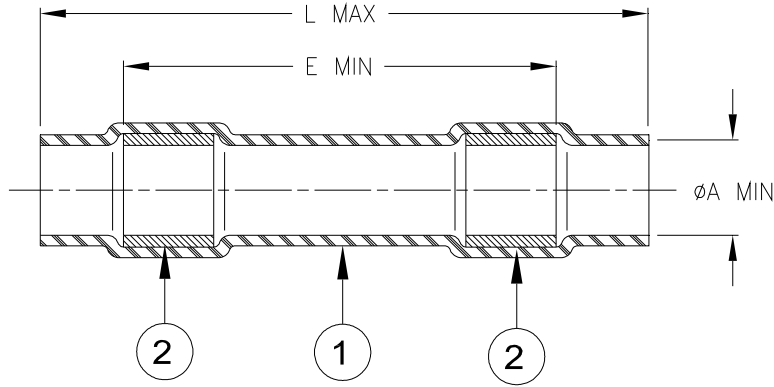
Tel: +86-755-8981 8866 Fax: +86-755-8427 6832

Email & Skype: info@chipsmall.com Web: www.chipsmall.com

Address: A1208, Overseas Decoration Building, #122 Zhenhua RD., Futian, Shenzhen, China



SPECIFICATION CONTROL DRAWING



Product Name	Prod. Rev.	Product Dimensions			Wire Dimensions		Color
		L max	E min	øA min	øD		
					min	max	
D-436-0096	Q	29.2 (1.150)	24.15 (0.950)	2.16 (0.085)	0.63 (0.025)	2.16 (0.085)	Red
D-436-0097	S	29.2 (1.150)	24.15 (0.950)	2.80 (0.110)	0.63 (0.025)	2.80 (0.110)	Blue
D-436-0098	D	29.2 (1.150)	24.15 (0.950)	4.32 (0.170)	0.63 (0.025)	4.32 (0.170)	Yellow

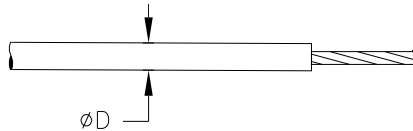
MATERIALS



- INSULATION SLEEVE: Heat-shrinkable, transparent blue, radiation cross-linked modified polyvinylidene fluoride.
- SEALING RINGS: Immersion resistant thermoplastic. Color: one clear, one color coded (see table).

APPLICATION

- These parts are designed to provide an immersion resistant seal on 1 to 1 splices made of wires having an insulation rated for at least +135°C.
- Temperature range: -55°C to +150°C.
- Parts may be installed by convection heating.

Wire dimension:



		TE Connectivity 300 Constitution Drive, Menlo Park, CA. 94025, U.S.A.				TITLE: SEALING SLEEVE			
Unless otherwise specified dimensions are in millimeters. [Inches dimensions are shown in brackets]					DOCUMENT NO.: D-436-0096/-0098				
TOLERANCES: 0.00 N/A 0.0 N/A 0 N/A		ANGLES: N/A ROUGHNESS IN MICRON		TE Connectivity reserves the right to amend this drawing at any time. Users should evaluate the suitability of the product for their application.		PROD. REV.: SEE TABLE	DOC. ISSUE: 4	DATE: 16-Apr-11	
PREPARED BY: mforonda		DCR NUMBER: D050379		REPLACES: D981035		CAGE CODE: 06090	SCALE: ---	SIZE: A	SHEET: 1 of 1

Print Date: 9-May-11

© 2011 Tyco Electronics Corporation, a TE Connectivity Ltd. Company. All Rights Reserved.

If this document is printed it becomes uncontrolled. Check for the latest revision.