



Chipsmall Limited consists of a professional team with an average of over 10 year of expertise in the distribution of electronic components. Based in Hongkong, we have already established firm and mutual-benefit business relationships with customers from,Europe,America and south Asia,supplying obsolete and hard-to-find components to meet their specific needs.

With the principle of "Quality Parts,Customers Priority,Honest Operation,and Considerate Service",our business mainly focus on the distribution of electronic components. Line cards we deal with include Microchip,ALPS,ROHM,Xilinx,Pulse,ON,Everlight and Freescale. Main products comprise IC,Modules,Potentiometer,IC Socket,Relay,Connector.Our parts cover such applications as commercial,industrial, and automotives areas.

We are looking forward to setting up business relationship with you and hope to provide you with the best service and solution. Let us make a better world for our industry!



Contact us

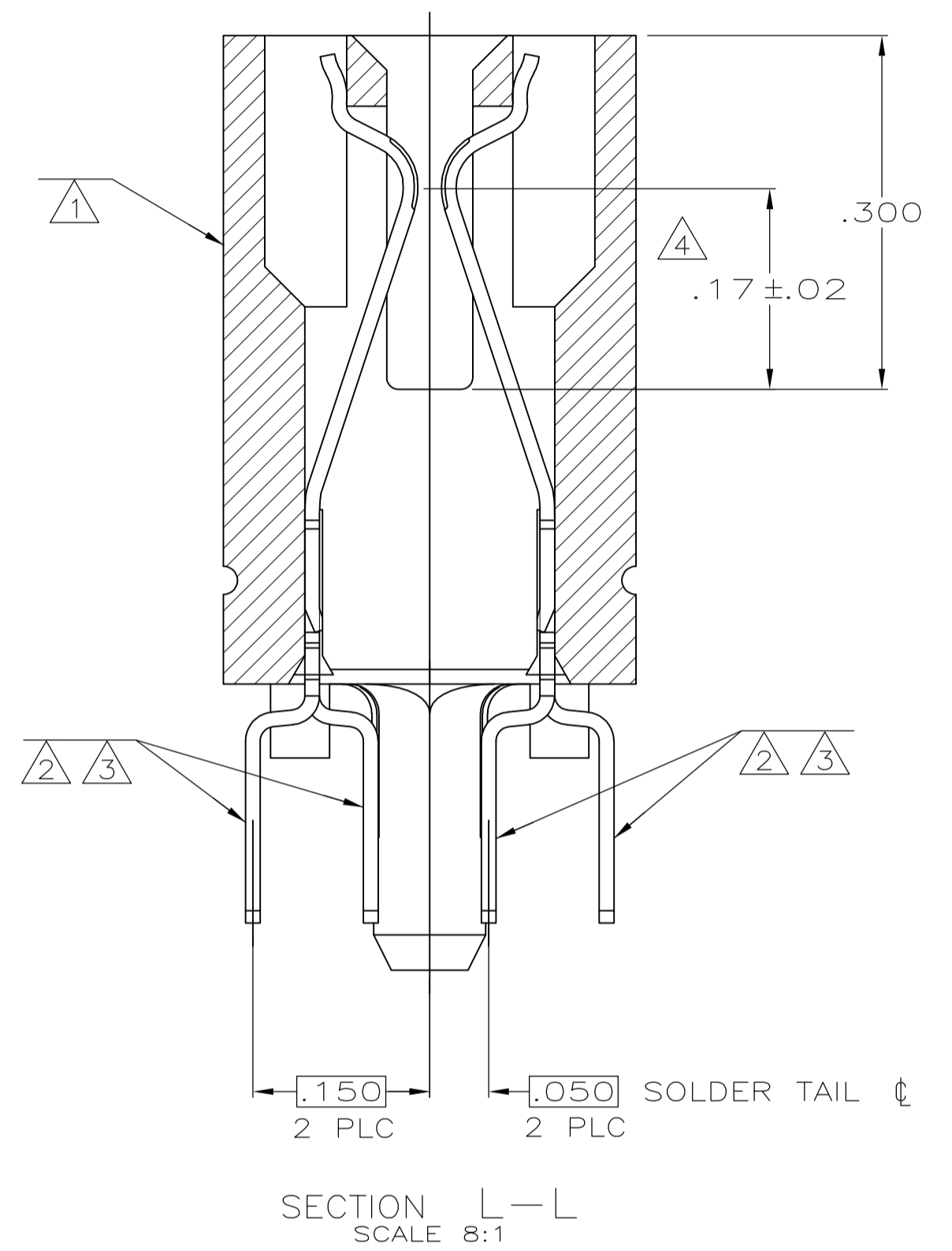
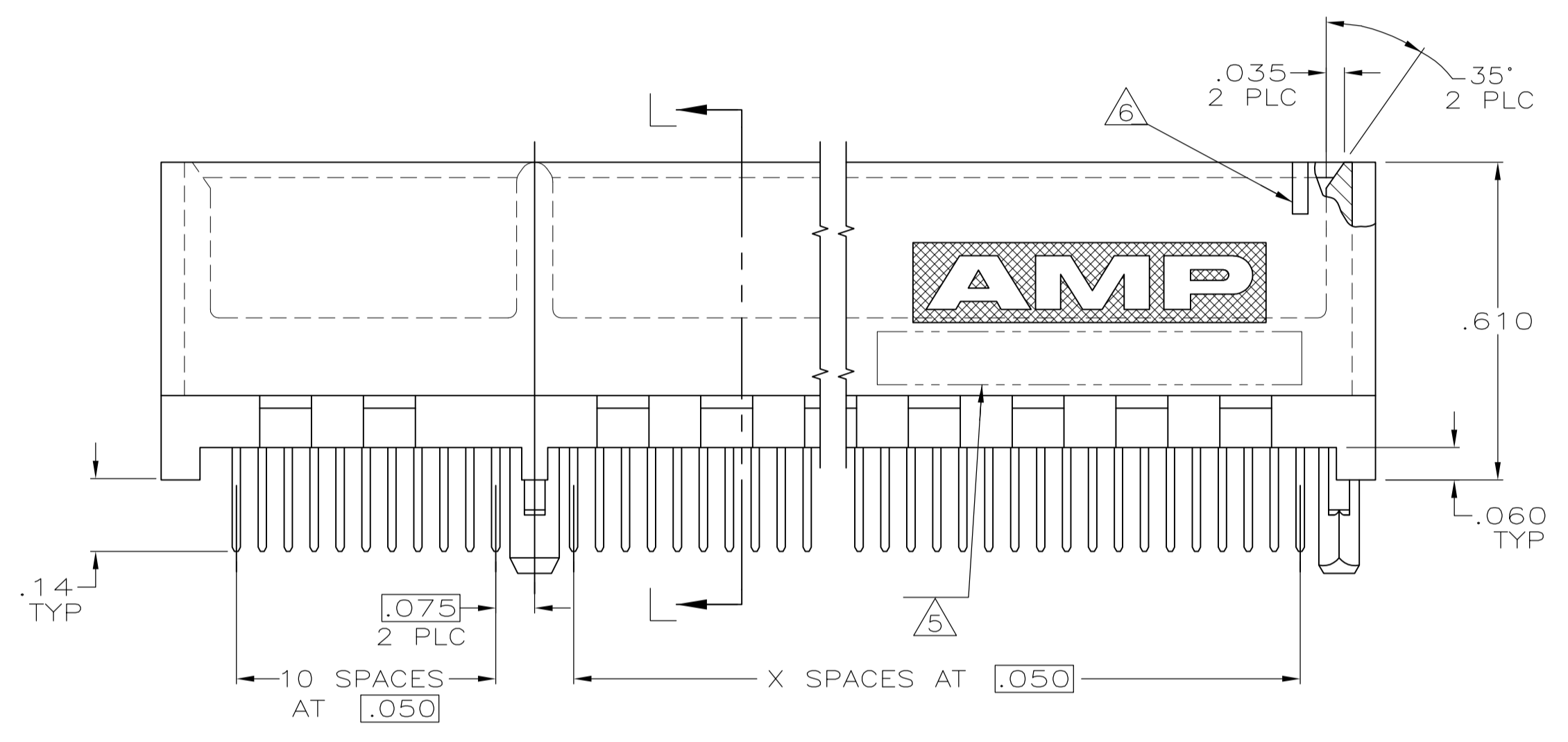
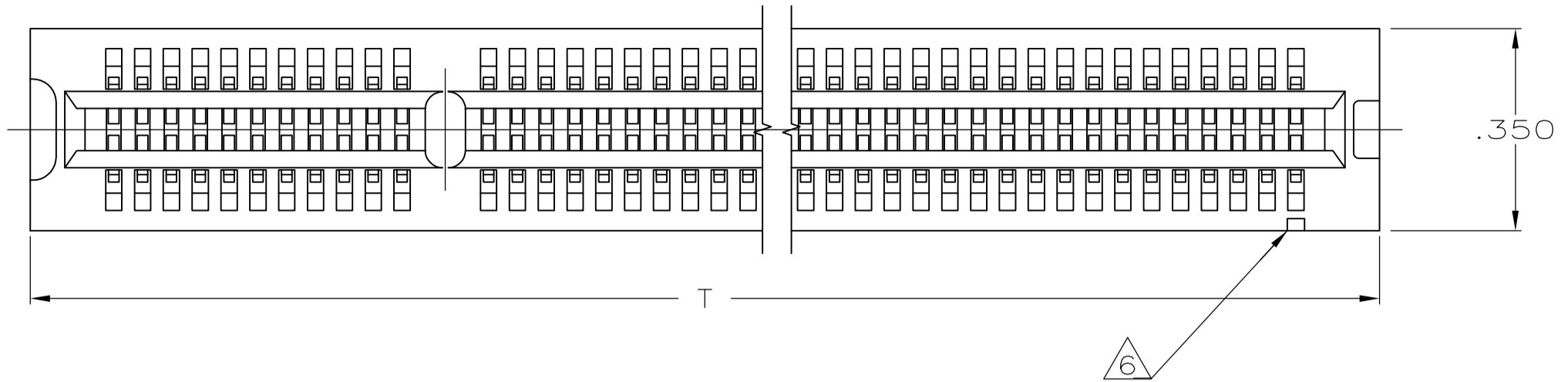
Tel: +86-755-8981 8866 Fax: +86-755-8427 6832

Email & Skype: info@chipsmall.com Web: www.chipsmall.com

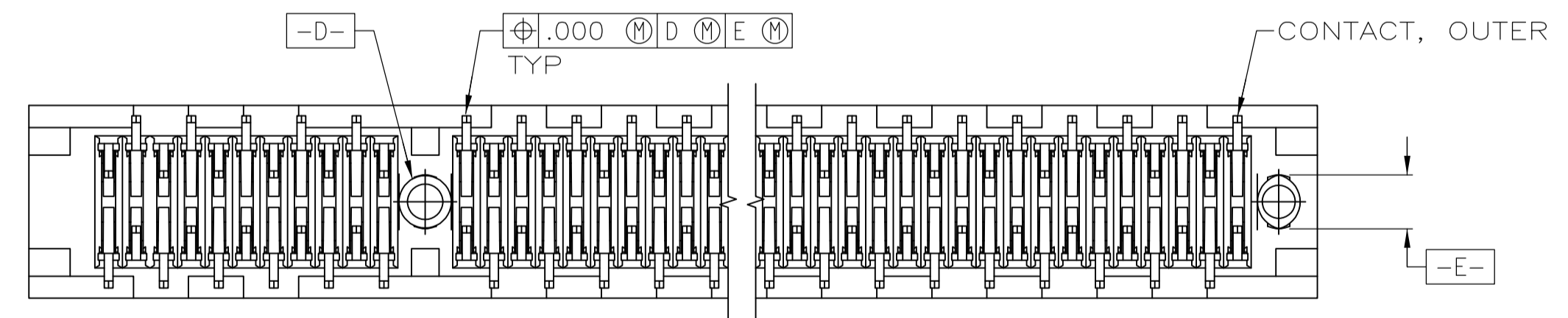
Address: A1208, Overseas Decoration Building, #122 Zhenhua RD., Futian, Shenzhen, China



LOC	DIST	P	F	ZONE	LTR	DESCRIPTION	DATE	APPD
AD	14					D REDRAWN PER AD-5103	3/91	MB
						E REVISED PER AD6120	3/31/92	MB
						F REVISED PER AD6278	3/31/92	MB
						G REVISED PER 0010-0072-96	5/16/96	RB MB
						H REVISED PER 0430-0281-96	7/23/97	RB MB
						J REV PER EC 0651-0081-99	04/09/99	KW
						J1 REVISED PER ECO-10-000443	15JAN10	HMR



- 1 HOUSING: HIGH TEMPERATURE THERMOPLASTIC. COLOR: BROWN.
- 2 CONTACT: PHOSPHOR BRONZE.
- 3 CONTACT FINISH: .000100 MIN NICKEL ALL OVER. .000030 MIN GOLD OVER NICKEL IN CONTACT AREA. .000100 MIN TIN-LEAD OVER NICKEL ON SOLDER TAILS.
- 4 DISTANCE FROM CONTACT POINT TO BOTTOM OF CARD SLOT.
- 5 AMP PART NUMBER, DATE CODE AND CSA LOGO MARKED IN APPROXIMATE AREA SHOWN.
- 6 PIN ONE IDENTIFIER NOTCH ONLY ON PART NUMBERS INDICATED.
- 7 OBSOLETE PARTS: OBSOLETE CIS STREAMLINING PER D.RENAUD/D.SINISI

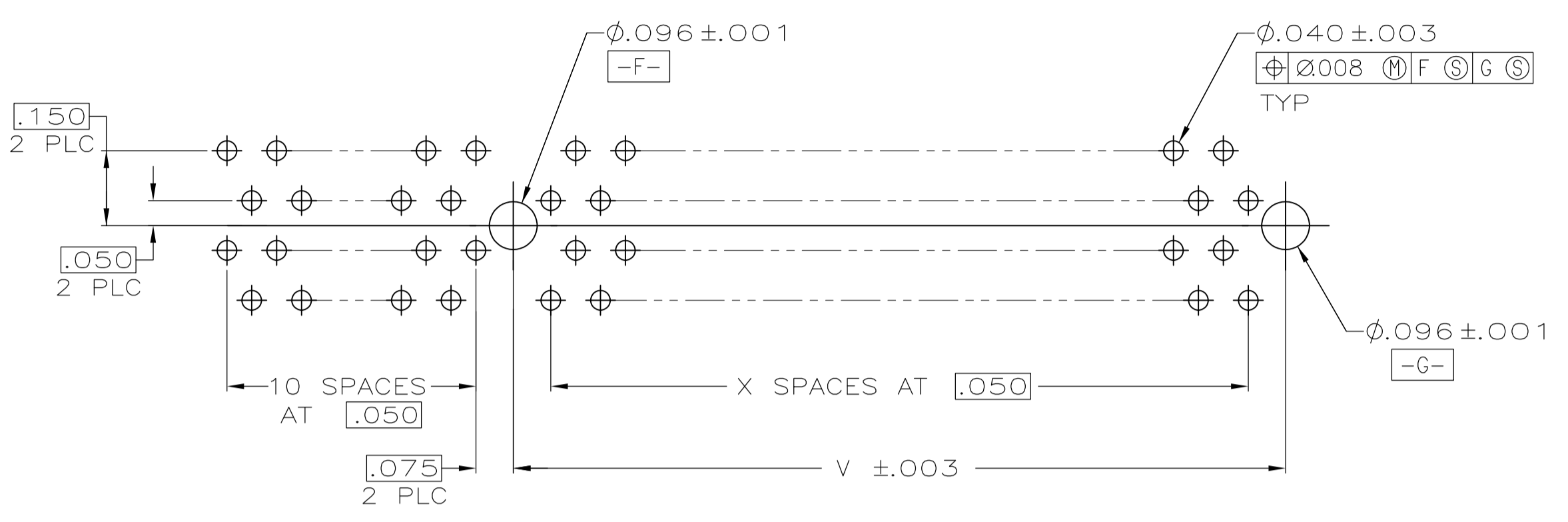


SEE SHEET 2 FOR HOLE PATTERNS

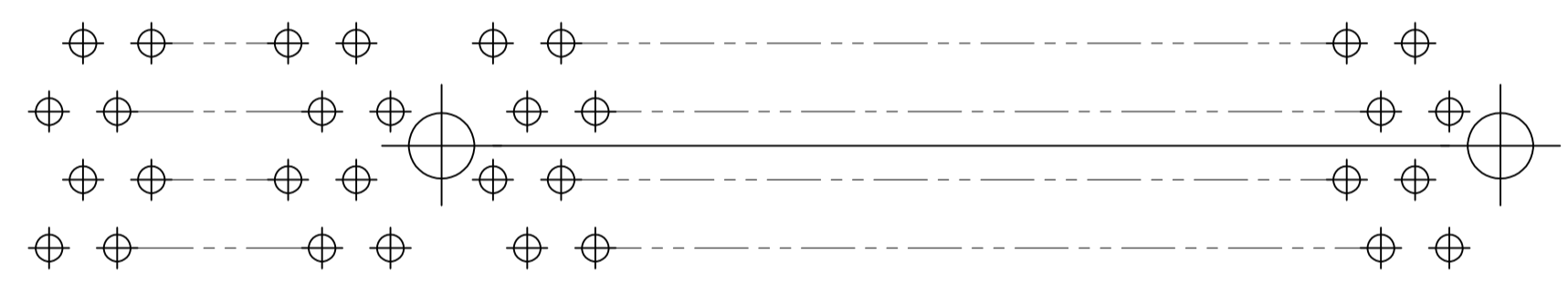
SUPERCEDED BY 5650181-3	NO	B	.700	.660	1.49	11	23	-650181-3
	NO	A	1.550	1.510	2.34	28	40	650181-2
	YES	A	2.350	2.310	3.14	44	56	650181-1
PIN ONE IDENTIFIER	HOLE PATTERN	V	U	T	X	NO OF DUAL POSN	PART NUMBER	

DO NOT SCALE PRINT. UNLESS SPECIFIED DIMENSIONS IN mm [INCHES] TOLERANCES - ON : 2 PLC DEC ± .01 3 PLC DEC ± .005 ANGLES ± 2'	DR 3/20/91 K.L.CLOUSER/UTA CHK 11-21-91 M.BOWERS APPD 11-21-91 M.THUMMA APPD 11-21-91 M.BOWERS	AMP Incorporated Harrisburg, PA 17105-3608		
HOUSING: 1 CONTACT: 2	PRODUCT SPEC 108-14034			NAME CONNECTOR ASSEMBLY, DUAL POSITION, .050 SERIES, STANDARD EDGE
FINISH CONTACT: 3	APPLICATION SPEC 114-26012	SIZE D	CAGE CODE 00779	DRAWING NO 650181
WEIGHT -		SCALE 4:1	SHEET 1 OF 2	

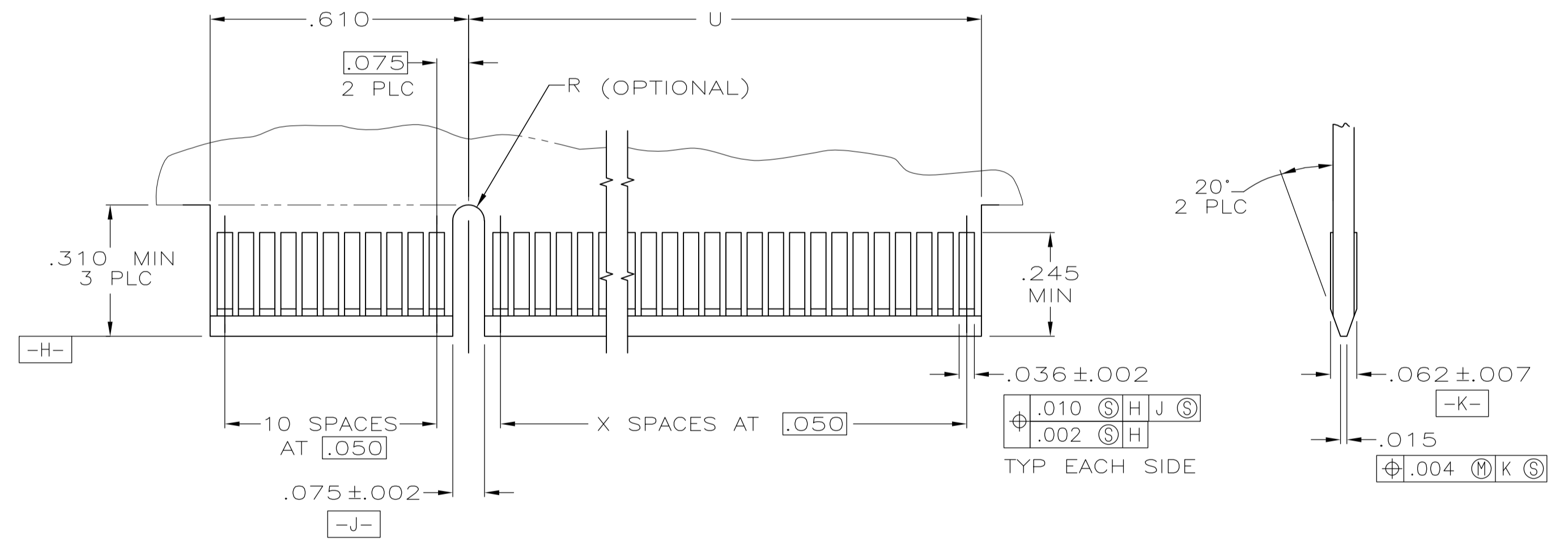
LOC		DIST		ZONE		LTR		REVISIONS		
AD	14	P	F					DESCRIPTION	DATE	APPD
				J1				SEE SHEET 1	-	-



RECOMMENDED CONNECTOR MOUNTING HOLE PATTERN A
 (CONNECTOR SIDE SHOWN)



RECOMMENDED CONNECTOR MOUNTING HOLE PATTERN B
 (CONNECTOR SIDE SHOWN)



RECOMMENDED MATING BOARD EDGE CONFIGURATION

DO NOT SCALE PRINT. UNLESS SPECIFIED DIMENSIONS IN mm [INCHES] TOLERANCES ON: 2 PLC DEC ± .01 3 PLC DEC ± .005 ANGLES ± 2'		DR 3/20/91 K.L.CLOUSER/UTA		AMP Incorporated Harrisburg, PA 17105-3608	
MATERIAL HOUSING: CONTACT:		CHK 11-21-91 M.BOWERS			
FINISH CONTACT:		APPD 11-21-91 M.THUMMA		CONNECTOR ASSEMBLY, DUAL POSITION, .050 SERIES, STANDARD EDGE	
WEIGHT -		APPD 11-21-91 M.BOWERS		SIZE	DRAWING NO
		PRODUCT SPEC 108-14034		D	650181
		APPLICATION SPEC 114-26012		CAGE CODE	
		SCALE 4:1		00779	SHEET 2 OF 2