



Chipsmall Limited consists of a professional team with an average of over 10 year of expertise in the distribution of electronic components. Based in Hongkong, we have already established firm and mutual-benefit business relationships with customers from,Europe,America and south Asia,supplying obsolete and hard-to-find components to meet their specific needs.

With the principle of “Quality Parts,Customers Priority,Honest Operation,and Considerate Service”,our business mainly focus on the distribution of electronic components. Line cards we deal with include Microchip,ALPS,ROHM,Xilinx,Pulse,ON,Everlight and Freescale. Main products comprise IC,Modules,Potentiometer,IC Socket,Relay,Connector.Our parts cover such applications as commercial,industrial, and automotives areas.

We are looking forward to setting up business relationship with you and hope to provide you with the best service and solution. Let us make a better world for our industry!



Contact us

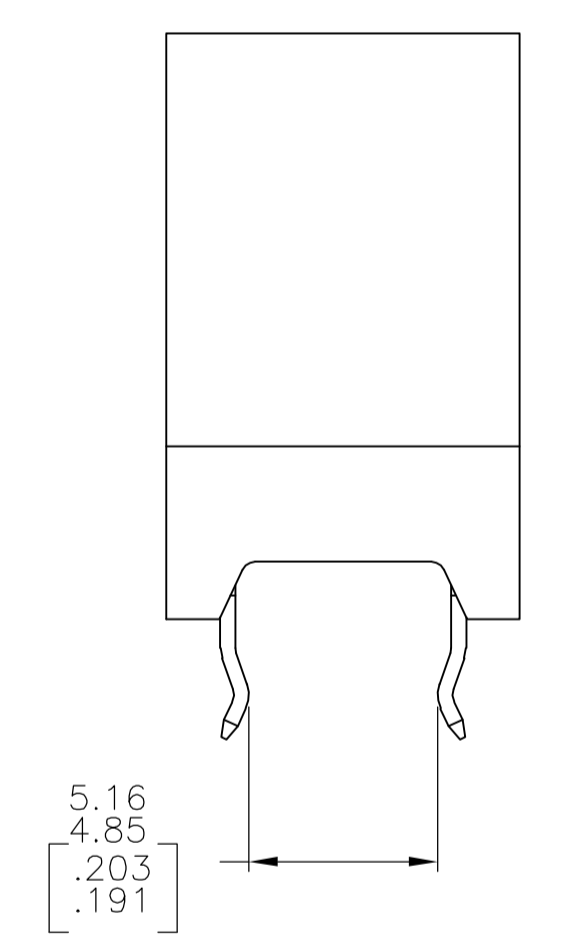
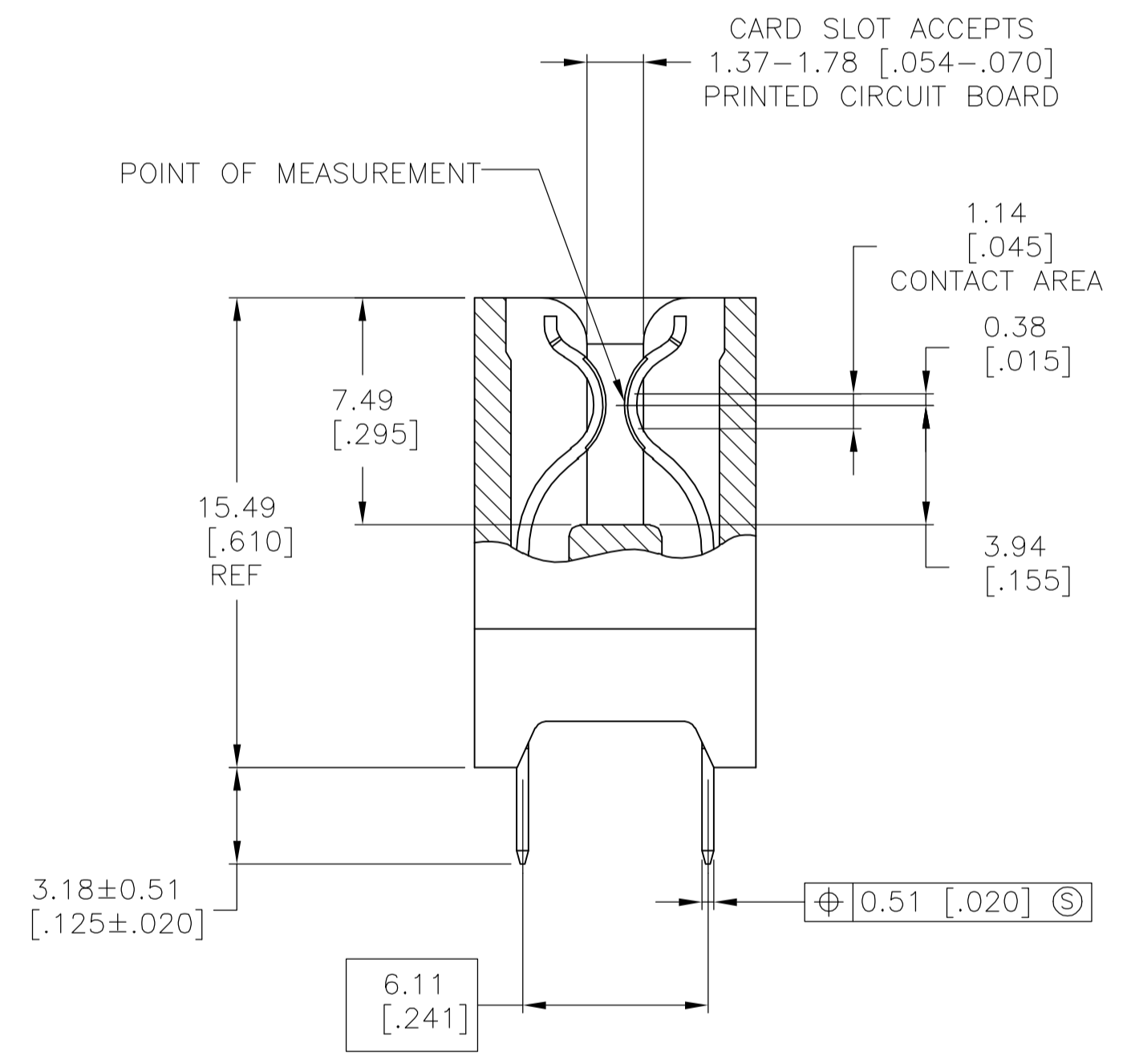
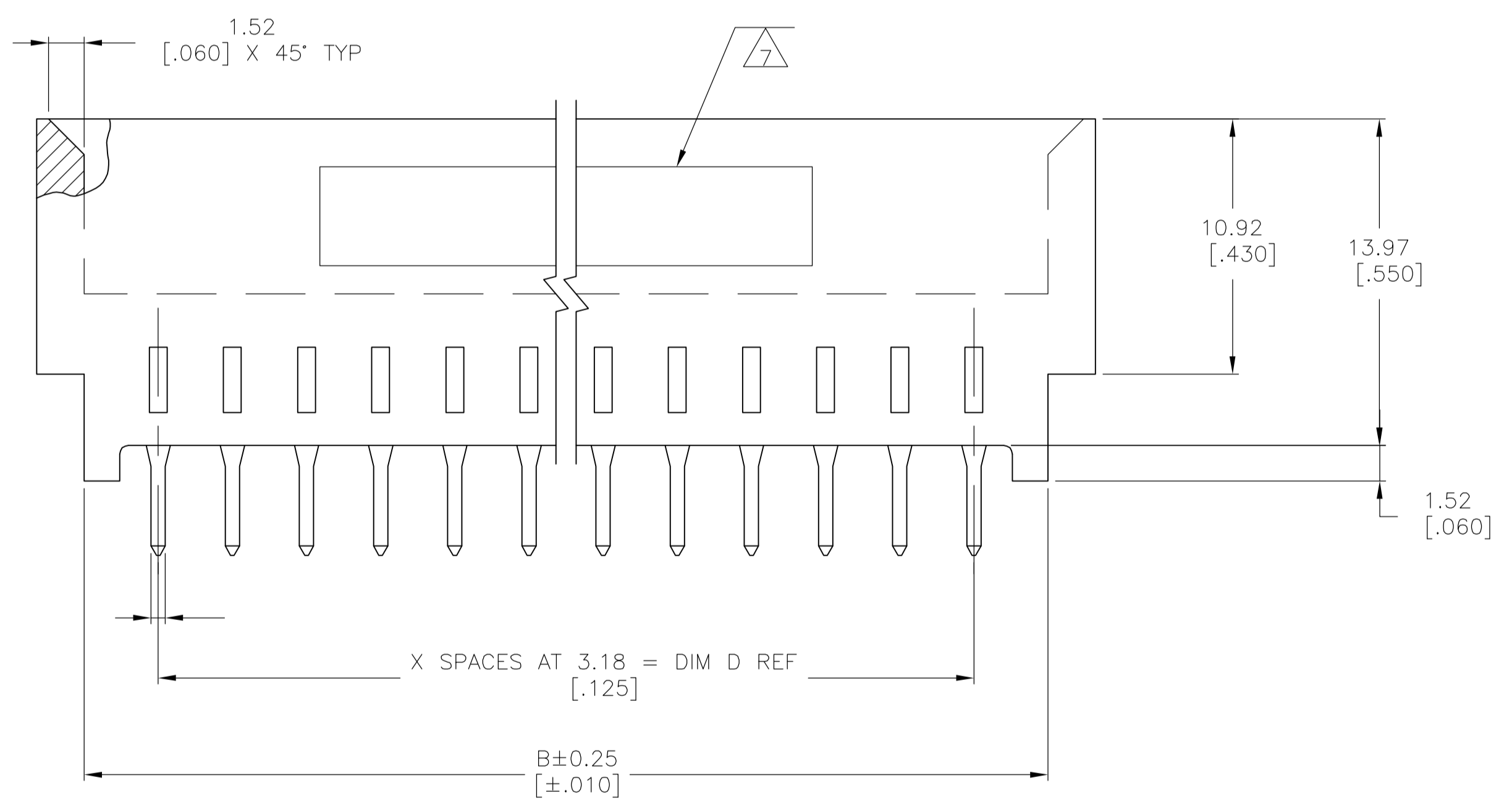
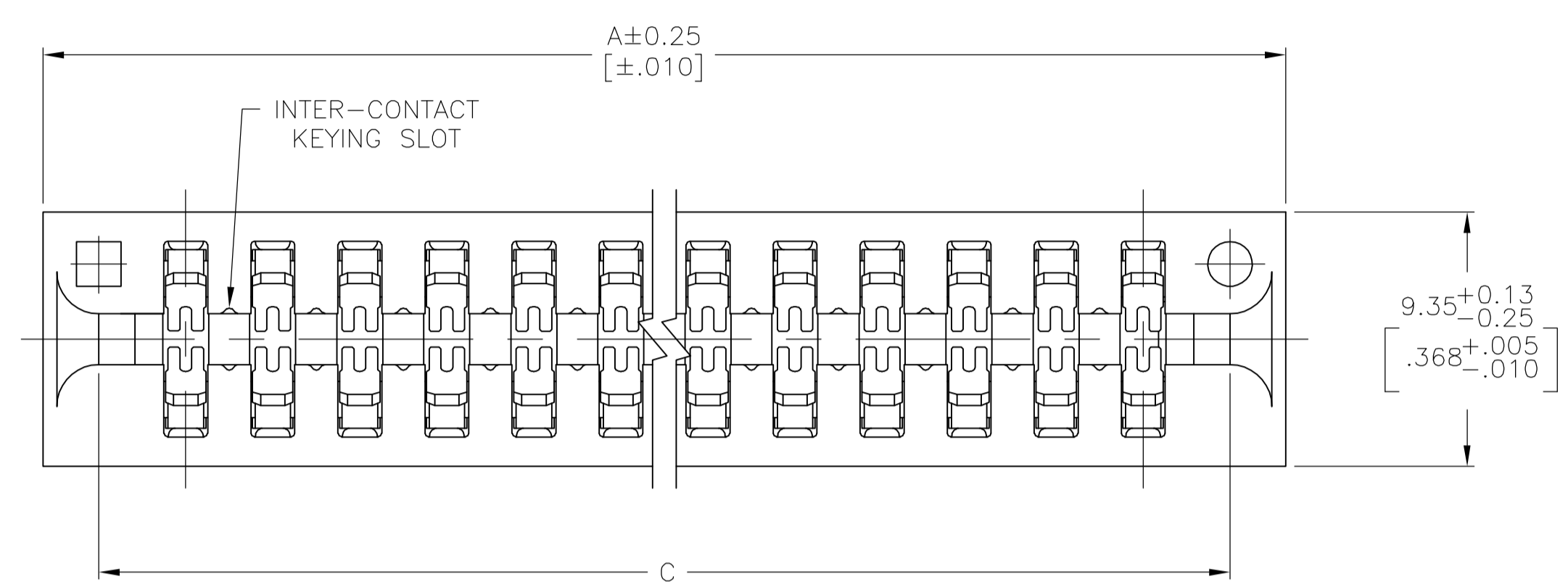
Tel: +86-755-8981 8866 Fax: +86-755-8427 6832

Email & Skype: info@chipsmall.com Web: www.chipsmall.com

Address: A1208, Overseas Decoration Building, #122 Zhenhua RD., Futian, Shenzhen, China



- 1 HOUSING: GLASS FILLED POLYESTER; COLOR: BLACK.
- 2 CONTACT: PHOSPHOR BRONZE.
- 3 NICKEL UNDERPLATE: 0.00127 [.000050] MIN - ALL OVER.
- 4 TIN-LEAD PLATE: 0.00254 [.000100] MIN - SOLDER POSTS.
- 5 GOLD PLATE: 0.00076 [.000030] MIN - CONTACT AREA.
- 6 NICKEL PLATE PER MIL-G-45204.
GOLD PLATE PER QQ-N-290.
- 7 AMP PART NUMBER AND DATE CODE ARE MARKED IN APPROXIMATE AREA SHOWN, EITHER SIDE.
- 8. RECOMMENDED PCB FINISHED HOLE DIA: 1.02 ± 0.08 [.040 ± .003].
- 9. THE RETENTIVE FEATURE OF THIS CONNECTOR IS DESIGNED FOR FULL SEATING IN .062 ± .008 THICK CIRCUIT BOARDS. FOR APPLICATIONS IN BOARDS OF OTHER THICKNESSES CONTACT AMP INCORPORATED.
- 10 MATTE TIN PLATE: 0.00254 [.000100] MIN - SOLDER POSTS.



BOARD RETENTION FEATURE

3-10	15.88 [.625]	22.22 [.875]	22.22 [.875]	26.29 [1.035]	5	6	5-650207-1
3-10	15.88 [.625]	22.22 [.875]	22.22 [.875]	26.29 [1.035]	5	6	650207-1
BOARD RETENTION LOCATION	D	C	B	A	X	NO OF POSN.	PART NUMBER

THIS DRAWING IS A CONTROLLED DOCUMENT. **tyco Electronics** Tyco Electronics Corporation, Harrisburg, Pa 17105-3608

DIMENSIONS: mm [INCHES]	TOLERANCES UNLESS OTHERWISE SPECIFIED:	0 PLC ± -	1 PLC ± -	2 PLC ± 0.13 [.005]	3 PLC ± -	4 PLC ± -	ANGLES ± -	FINISH
MATERIAL: HOUSING: △ CONTACT: △△△△		APVD: R. SHIREY/UTA 11/6/91		CHK: J. DIORAZIO 8-10-92		NAME: J. DIORAZIO 8-10-92		SIZE: A1
CUSTOMER DRAWING		SCALE: 5:1		SHEET: 1 OF 1		REV: C		WEIGHT: -

CONNECTOR ASSEMBLY, STANDARD EDGE II, 3.18 [.125] CL, SELECT BOARD RETENTION

00779C=650207