



Chipsmall Limited consists of a professional team with an average of over 10 year of expertise in the distribution of electronic components. Based in Hongkong, we have already established firm and mutual-benefit business relationships with customers from,Europe,America and south Asia,supplying obsolete and hard-to-find components to meet their specific needs.

With the principle of "Quality Parts,Customers Priority,Honest Operation,and Considerate Service",our business mainly focus on the distribution of electronic components. Line cards we deal with include Microchip,ALPS,ROHM,Xilinx,Pulse,ON,Everlight and Freescale. Main products comprise IC,Modules,Potentiometer,IC Socket,Relay,Connector.Our parts cover such applications as commercial,industrial, and automotives areas.

We are looking forward to setting up business relationship with you and hope to provide you with the best service and solution. Let us make a better world for our industry!



Contact us

Tel: +86-755-8981 8866 Fax: +86-755-8427 6832

Email & Skype: info@chipsmall.com Web: www.chipsmall.com

Address: A1208, Overseas Decoration Building, #122 Zhenhua RD., Futian, Shenzhen, China

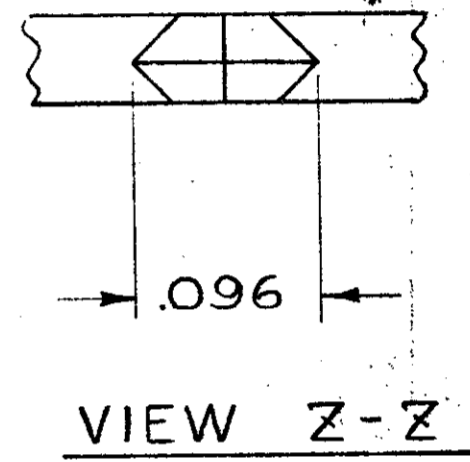
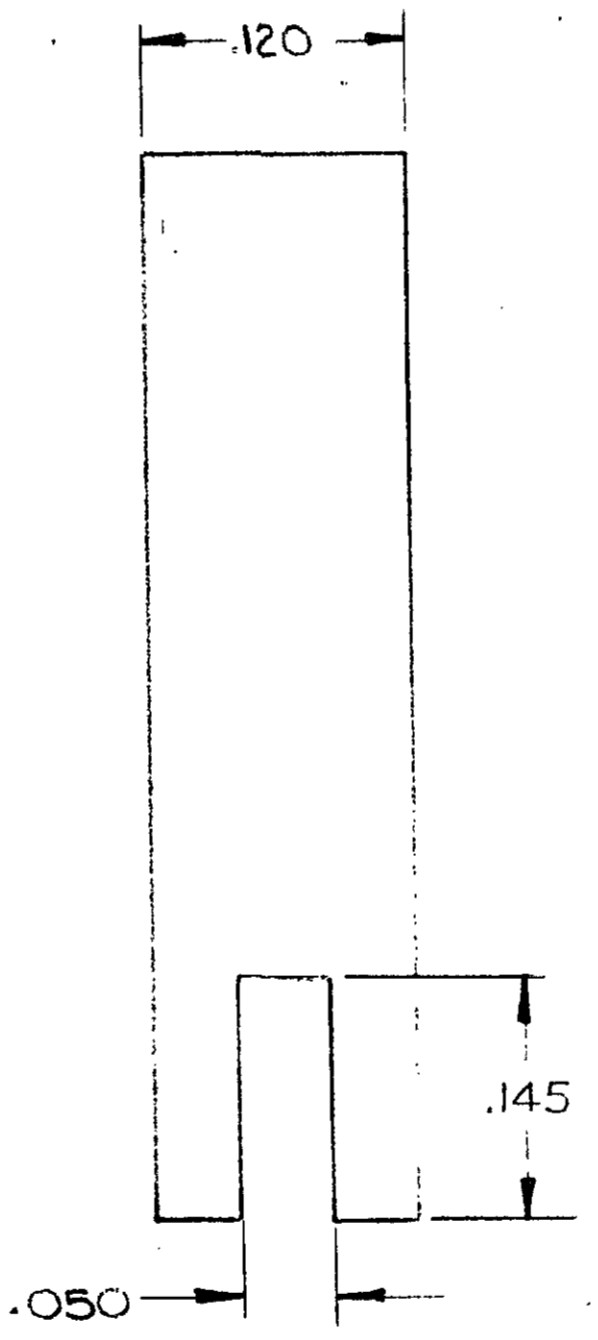
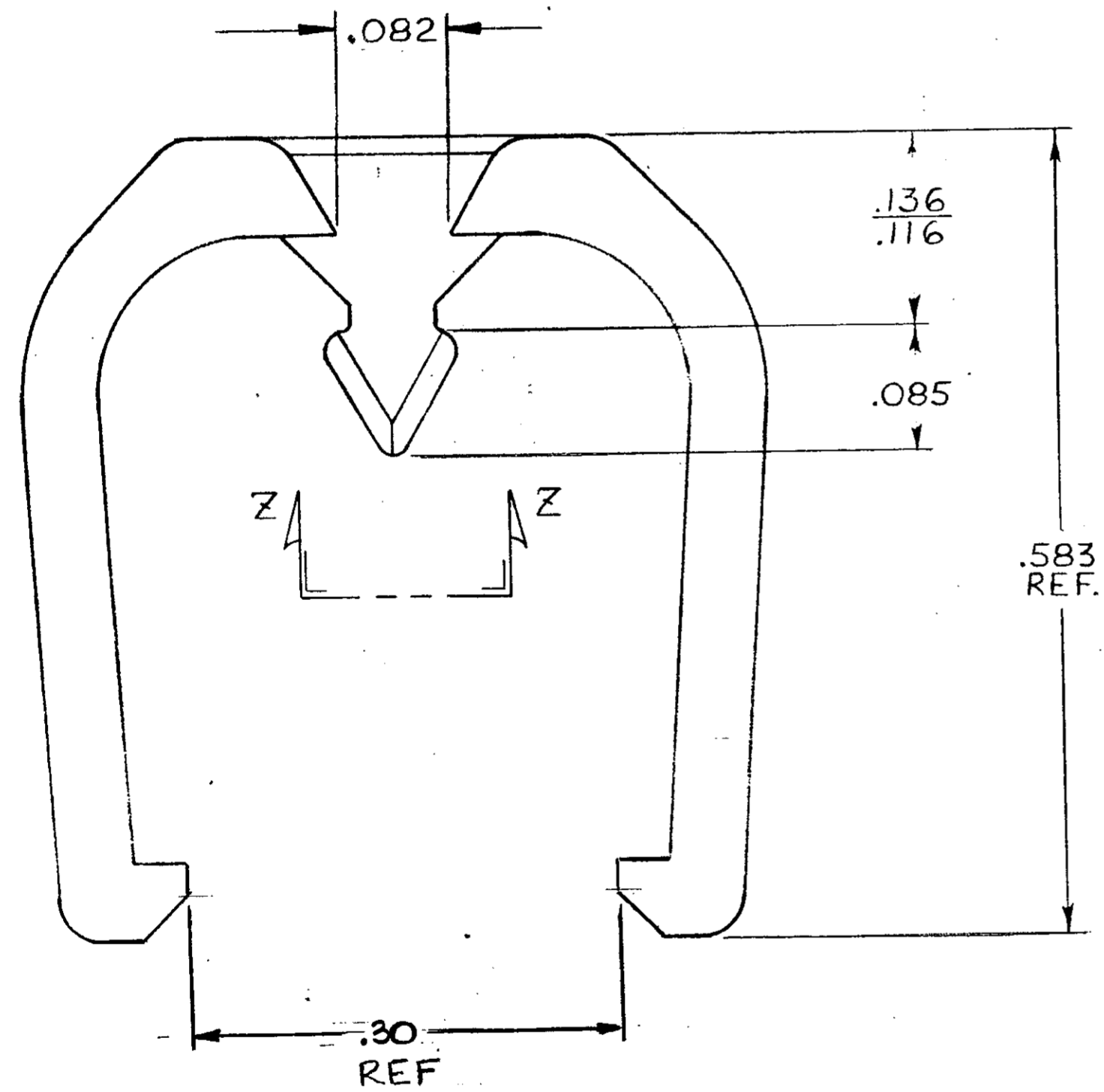
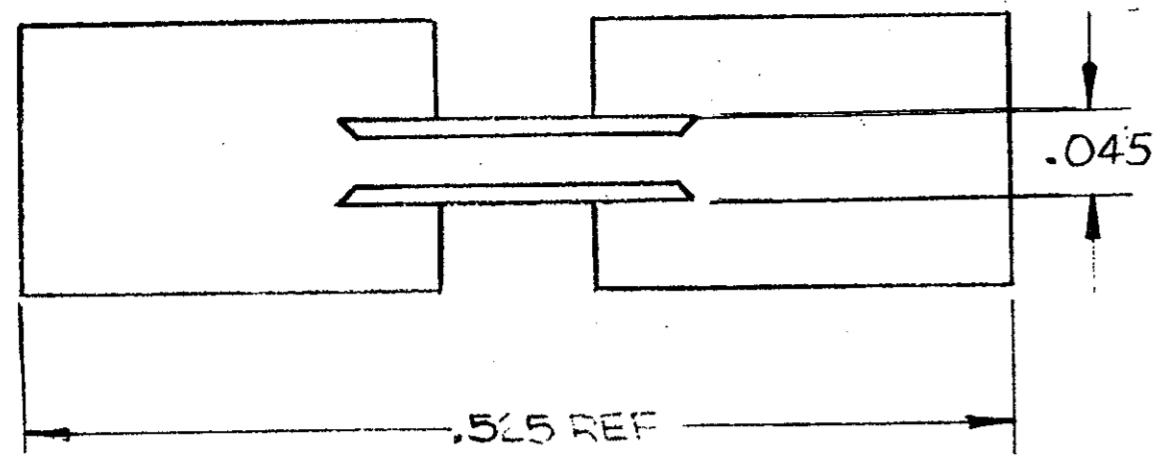


DRAWING MADE IN THIRD ANGLE PROJECTION

THIS DRAWING IS UNPUBLISHED. RELEASED FOR PUBLICATION
 © COPYRIGHT 1983 BY AMP INCORPORATED, HARRISBURG, PA. ALL INTERNATIONAL RIGHTS RESERVED. AMP PRODUCTS MAY BE COVERED BY U.S. AND FOREIGN PATENTS AND/OR PATENTS PENDING.

650289-1 AS SHOWN

REVISIONS					
P/F	ZONE	LTR	DESCRIPTION	DATE	APPROVED
✓	0		REL-1 PER 89-5191-001	6/8/89	HWR
✓	A		REV PER EC 0320-209-97	7-7-97	NS



UNLESS OTHERWISE SPECIFIED DIMENSIONS ARE IN INCHES		CONTRACT NO		AMP AMP INCORPORATED Harrisburg, Pa. 17105	
TOLERANCES ON: DECIMALS .010 ANGLES		DR <i>D. Wareham 6/8/89</i>	CHK <i>HWRose 6/89</i>	NAME KEYING FLUG, MOTHER BOARD TWIN LEAF, .150¢ AND .156¢	
MATERIAL LCP : GLASS-FILLED COLOR: NATURAL		APPD <i>Howard W. Rose 6/89</i>	APPD <i>Howard W. Rose 6/89</i>	SIZE C	FSCM NO 00779
FINISH		DSGN APPD	OTHER APPD	DRAWING NO 650289	
				SCALE	SHEET 1 OF 1

CUSTOMER DRAWING