



Chipsmall Limited consists of a professional team with an average of over 10 year of expertise in the distribution of electronic components. Based in Hongkong, we have already established firm and mutual-benefit business relationships with customers from,Europe,America and south Asia,supplying obsolete and hard-to-find components to meet their specific needs.

With the principle of “Quality Parts,Customers Priority,Honest Operation,and Considerate Service”,our business mainly focus on the distribution of electronic components. Line cards we deal with include Microchip,ALPS,ROHM,Xilinx,Pulse,ON,Everlight and Freescale. Main products comprise IC,Modules,Potentiometer,IC Socket,Relay,Connector.Our parts cover such applications as commercial,industrial, and automotives areas.

We are looking forward to setting up business relationship with you and hope to provide you with the best service and solution. Let us make a better world for our industry!



## Contact us

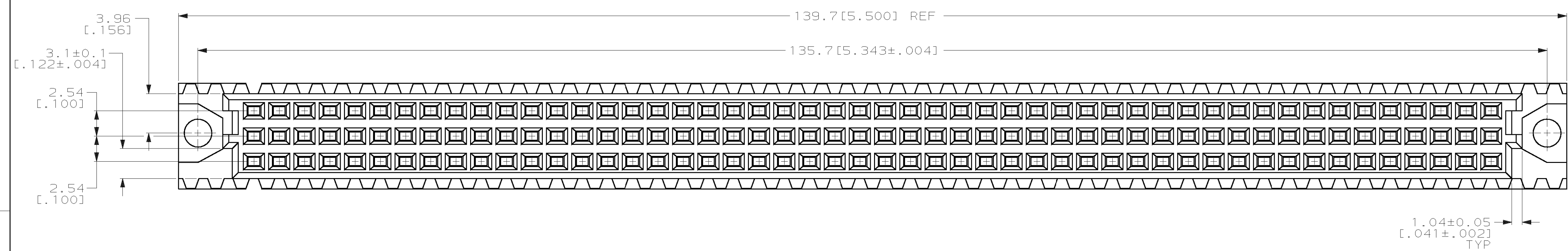
Tel: +86-755-8981 8866 Fax: +86-755-8427 6832

Email & Skype: info@chipsmall.com Web: www.chipsmall.com

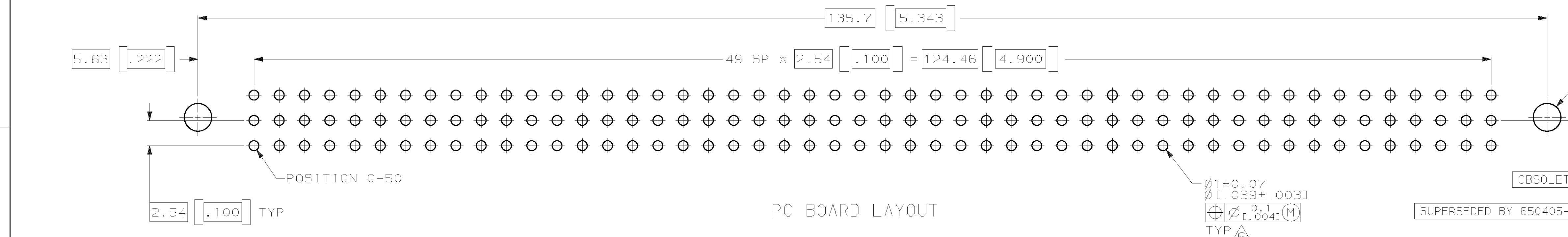
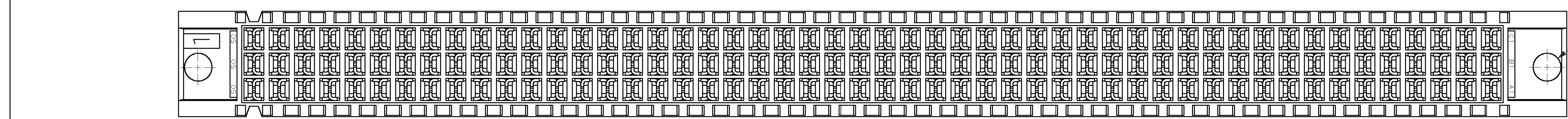
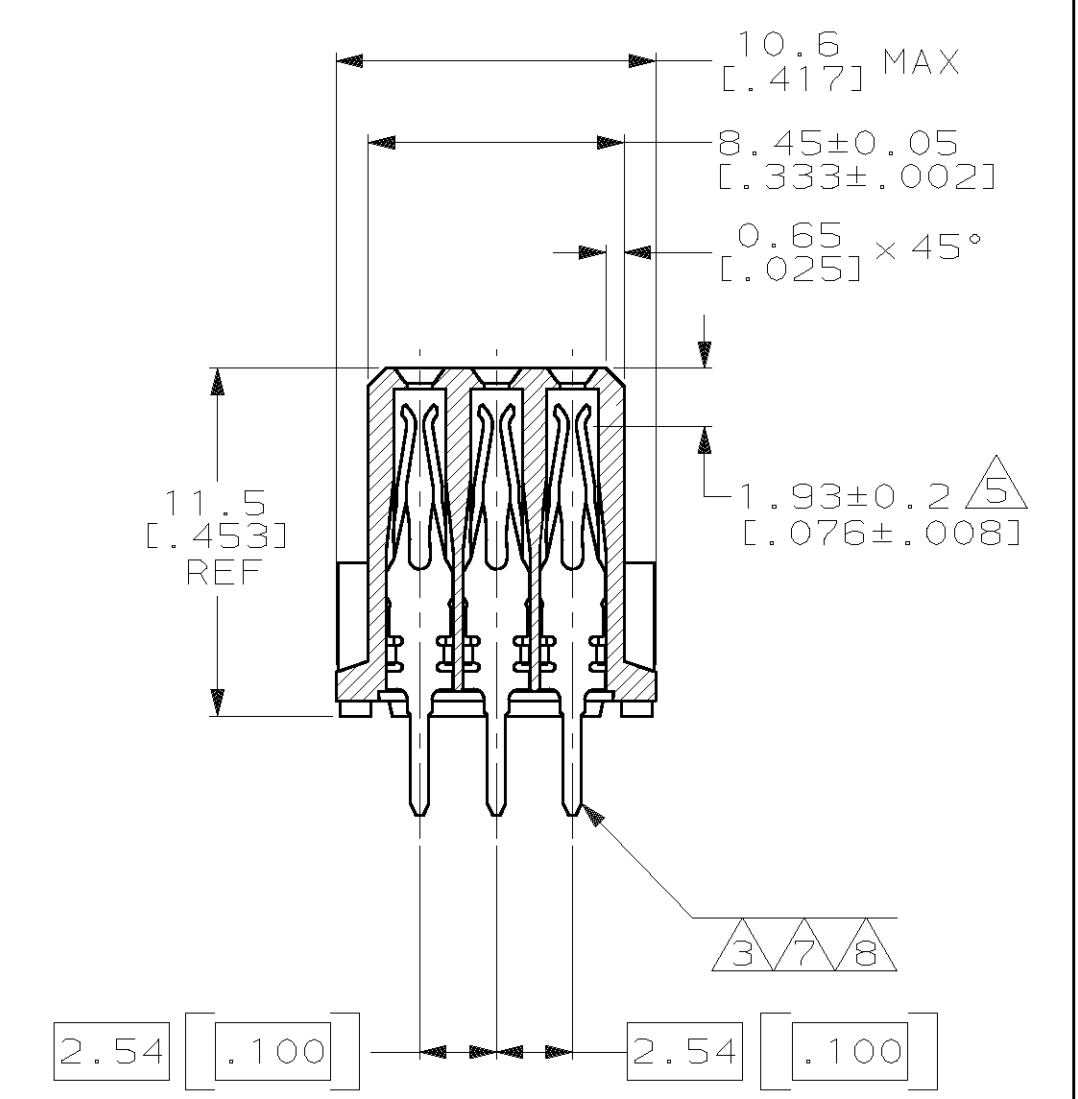
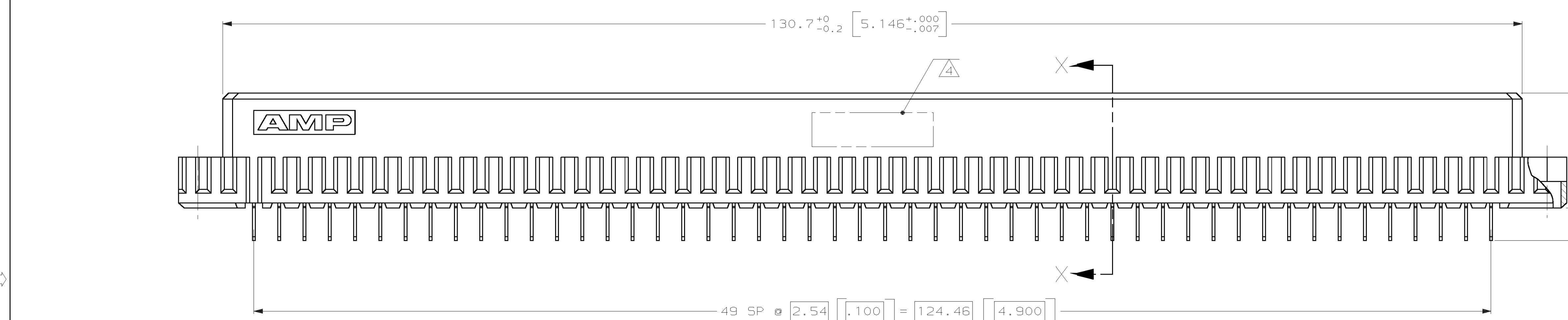
Address: A1208, Overseas Decoration Building, #122 Zhenhua RD., Futian, Shenzhen, China



LOC	DIST	P	F	ZONE	LTR	DESCRIPTION	DATE	APPD
AD	25				E	EC 0010-1437-95	1/11/96	CR
					F	EC 0010-1488-95	4/1/96	CR
					G	REV PER EC OUTB-0367-00	04 JAN 01	CR



- ① HOUSING MATERIAL: GLASS-FILLED POLYESTER. COLOR: GRAY.
- ② CONTACT MATERIAL: PHOSPHOR BRONZE.
- ③ CONTACT FINISH: 0.00076 [0.00030] GOLD IN CONTACT AREA. 0.00127 [0.00050] NICKEL UNDERPLATE ALL OVER. TIN-LEAD ON TAILS.
- ④ PART NUMBER, DATE CODE IDENTIFICATION, CSA LOGO IN THIS APPROXIMATE AREA.
- ⑤ POINT OF MEASUREMENT FOR GOLD.
- ⑥ RECOMMENDED HOLE SIZE FOR MANUAL APPLICATION OF CONNECTOR ONTO PC BOARD.
- ⑦ CONTACT FINISH: DIN 41612 CLASS 3 IN CONTACT AREA. TIN-LEAD ON TAILS.
- ⑧ CONTACT FINISH: DIN 41612 CLASS 2 IN CONTACT AREA. TIN-LEAD ON TAILS.



NOTES	POSITIONS LOADED	C	B	A	NO. OF LOADED POSITIONS	ASSY PART NUMBER
OBSELETE	⑦ 1 THRU 50	X	X	X	150	650405-9
	⑧ 1 THRU 50	X	X	X	150	650405-5
SUPERSEDED BY 650405-5	③ 1 THRU 50	X	X	X	150	650405-4

DO NOT SCALE PRINT. UNLESS SPECIFIED DIMENSIONS IN mm [INCHES] TOLERANCES ON: 1 PLC DEC ± - 2 PLC DEC ± 0.13 [0.005] ANGLES ± -	DR L. BRINER 6/15/89	AMP INCORPORATED Harrisburg, Pa. 17105
HSG ①	CHK J. BROWN 8/1/89	
CONT ②	APPD J. BROWN 8/1/89	
FINISH ③ ④ ⑤ ⑥ ⑦ ⑧	APPD J. BROWN 8/1/89	NAME ASSEMBLY, RECEPTACLE, EUROCARD, SOLDER TAIL, 150 POSITION
	APPLICATION SPEC -	SIZE D 00779
	WEIGHT -	DRAWING NO 650405
		SCALE 4:1
		SHEET 1 OF 1