



Chipsmall Limited consists of a professional team with an average of over 10 year of expertise in the distribution of electronic components. Based in Hongkong, we have already established firm and mutual-benefit business relationships with customers from,Europe,America and south Asia,supplying obsolete and hard-to-find components to meet their specific needs.

With the principle of “Quality Parts,Customers Priority,Honest Operation,and Considerate Service”,our business mainly focus on the distribution of electronic components. Line cards we deal with include Microchip,ALPS,ROHM,Xilinx,Pulse,ON,Everlight and Freescale. Main products comprise IC,Modules,Potentiometer,IC Socket,Relay,Connector.Our parts cover such applications as commercial,industrial, and automotives areas.

We are looking forward to setting up business relationship with you and hope to provide you with the best service and solution. Let us make a better world for our industry!



Contact us

Tel: +86-755-8981 8866 Fax: +86-755-8427 6832

Email & Skype: info@chipsmall.com Web: www.chipsmall.com

Address: A1208, Overseas Decoration Building, #122 Zhenhua RD., Futian, Shenzhen, China

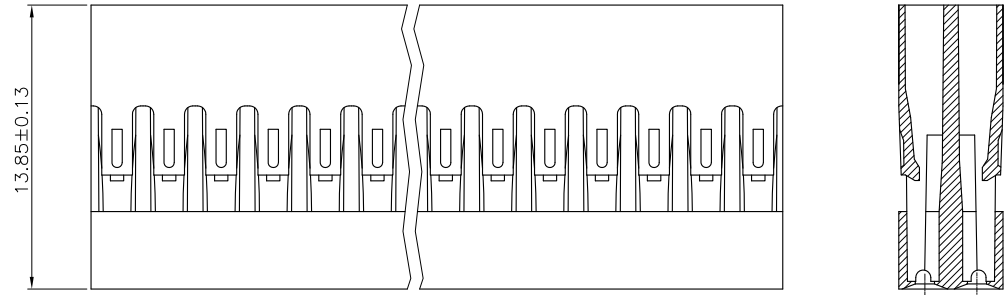


PRODUCT NUMBER
65043-0XX(E)LF

PIN STYLE
SEE SHEET 2

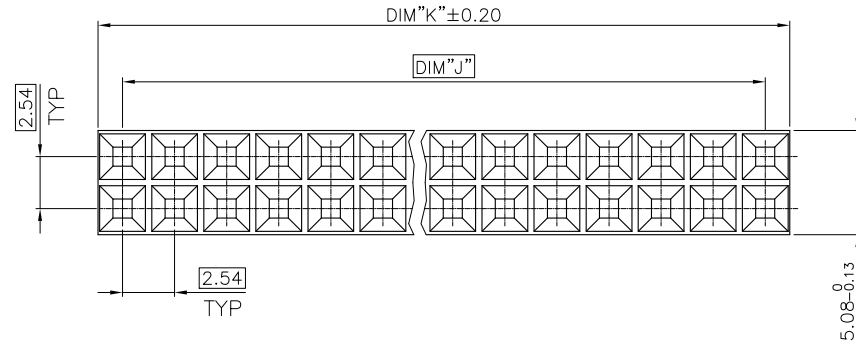
INDICATES THE PRODUCT IS RoHS
COMPLIANT, SEE NOTE 6

65043-YXXLF OR 65043-YXXELF ARE
EXACTLY THE SAME PRODUCTS.
EXTENSION "E" JUST FOR OLD EUROPEAN
DESIGN AND MANUFACTURING SITE



NOTES:

1. MOLDING MATERIAL : MODIFIED POLYPHELYNENE
COLOR BLACK, UL 94 V0
2. LATCH MUST WITHSTAND 18N MIN PULL OUT FORCE
3. STANDARD PACKAGING IN POLYBAGS
4. TERMINALS MUST BE CRIMPED PROPERLY FOR
SATISFACTORY LATCHING :
- FOR CRIMPING INSTRUCTIONS, SEE TA-75 AND TA-295
- FOR TERMINAL APPLICATION SEE TA-531.
PRODUCT SPECIFICATION: BUS-12-067.
5. THIS HOUSING IS INTENDED FOR USE WITH
MINI PV TERMINAL WITH 22-36 GAUGE WIRE
6. RoHs COMPLIANT PRODUCT SPECIFICATIONS :
- MEETS PACKAGING SPECS AS PER GS-14-920
- PRODUCT MEETS EUROPEAN UNION DIRECTIVES
AND OTHER COUNTRY REGULATIONS AS
DESCRIBED IN GS-22-008.
- THE PRODUCT IS NOT INTENDED TO BE EXPOSED
TO A MANUFACTURING SOLDER PROCESS.



mat'l code		surface		tolerance		projection		product family		
SEE NOTES		ISO 1302		ISO 406 ISO 1101				BERCONN		
ltr	ecn no	dr	date	tolerances unless otherwise specified		mm		title		
BG	V08-0022	LMU	08.01.15	angles	linear	.x ± 0.3		MINI LATCH HOUSING DOUBLE ROW 2.54mm		
BH	F12-0064	LMU	12.06.08			.xx ± 0.13				
BJ	B-14321	LMU	13.03.21			.xxx ± 0.05				
				dr	L.MULIN	12.06.08		dwg no		
				engr	L.MULIN	12.06.08		sheet 1 of 2		
				chr				size		
				appd	JCO	12.06.09		65043		
sheet index		revision sheet	BJ	BH			scale 5:1		A3	
			1	2			type		CUSTOMER Drawing	

PIN STYLE	No. OF POS.	DIM J	DIM K
35	2x02	2.54	4.93
34	2x03	5.08	7.47
33	2x04	7.62	10.01
32	2x05	10.16	12.55
31	2x06	12.70	15.09
30	2x07	15.24	17.63
29	2x08	17.78	20.17
28	2x09	20.32	22.71
27	2x10	22.86	25.25
26	2x11	25.40	27.79
25	2x12	27.94	30.33
24	2x13	30.48	32.87
23	2x14	33.02	35.41
22	2x15	35.56	37.95
21	2x16	38.10	40.49
20	2x17	40.64	43.03
19	2x18	43.18	45.57
18	2x19	45.72	48.11
17	2x20	48.26	50.65
16	2x21	50.80	53.19
15	2x22	53.34	55.73
14	2x23	55.88	58.27
13	2x24	58.42	60.81
12	2x25	60.96	63.35
11	2x26	63.50	65.89
10	2x27	66.04	68.43
09	2x28	68.58	70.97
08	2x29	71.12	73.51
07	2x30	73.66	76.05
06	2x31	76.20	78.59
05	2x32	78.74	81.13
04	2x33	81.28	83.67
03	2x34	83.82	86.21
02	2x35	86.36	88.75
01	2x36	88.90	91.29



FCJconnect.com

Copyright FCJ

mal't. code				surface		tolerance		projection		product family	
SEE NOTES				ISO 1302		ISO 406 ISO 1101				BERCONN	
ltr	ecn no	dr	date	tolerances unless otherwise specified							
BG	V08-0022	HTB	08.01.15	angles	linear	.x ±0.3				scale 5:1	
BH	F12-0064	LMU	12.06.08			.xx ±0.13					
						.xxx ±0.05				title	
				dr	L.MULIN	11.01.10				MINI LATCH HOUSING	
				engr	L.MULIN	11.01.10				DOUBLE ROW 2.54mm	
				chr						dwg no	
				appd	L.MU	11.01.10				65043	
sheet index	revision sheet									type CUSTOMER Drawing	