



Chipsmall Limited consists of a professional team with an average of over 10 year of expertise in the distribution of electronic components. Based in Hongkong, we have already established firm and mutual-benefit business relationships with customers from,Europe,America and south Asia,supplying obsolete and hard-to-find components to meet their specific needs.

With the principle of “Quality Parts,Customers Priority,Honest Operation,and Considerate Service”,our business mainly focus on the distribution of electronic components. Line cards we deal with include Microchip,ALPS,ROHM,Xilinx,Pulse,ON,Everlight and Freescale. Main products comprise IC,Modules,Potentiometer,IC Socket,Relay,Connector.Our parts cover such applications as commercial,industrial, and automotives areas.

We are looking forward to setting up business relationship with you and hope to provide you with the best service and solution. Let us make a better world for our industry!



Contact us

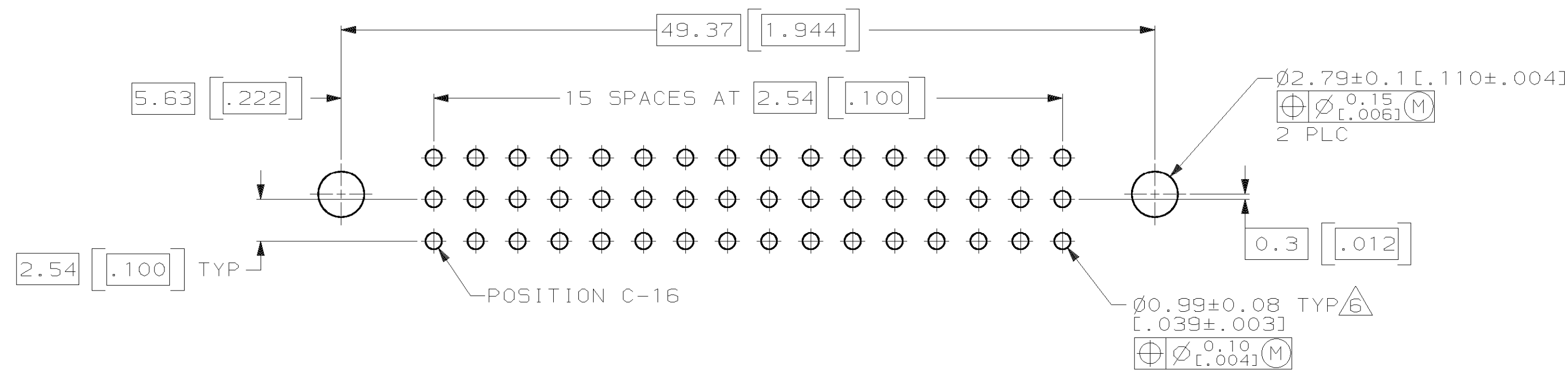
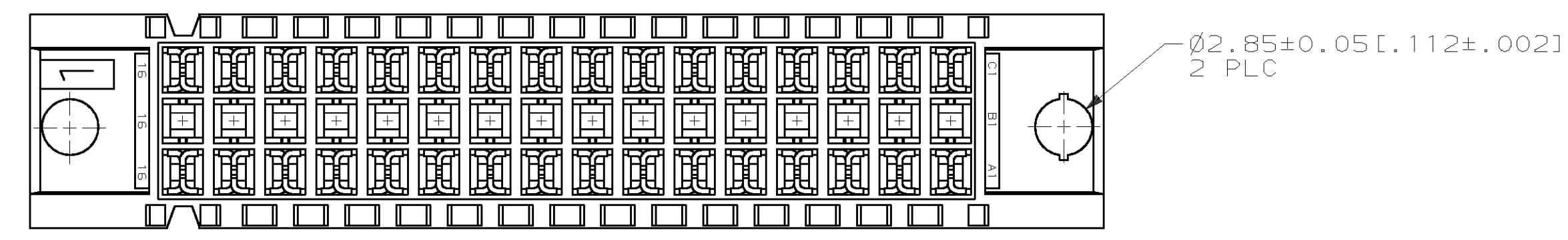
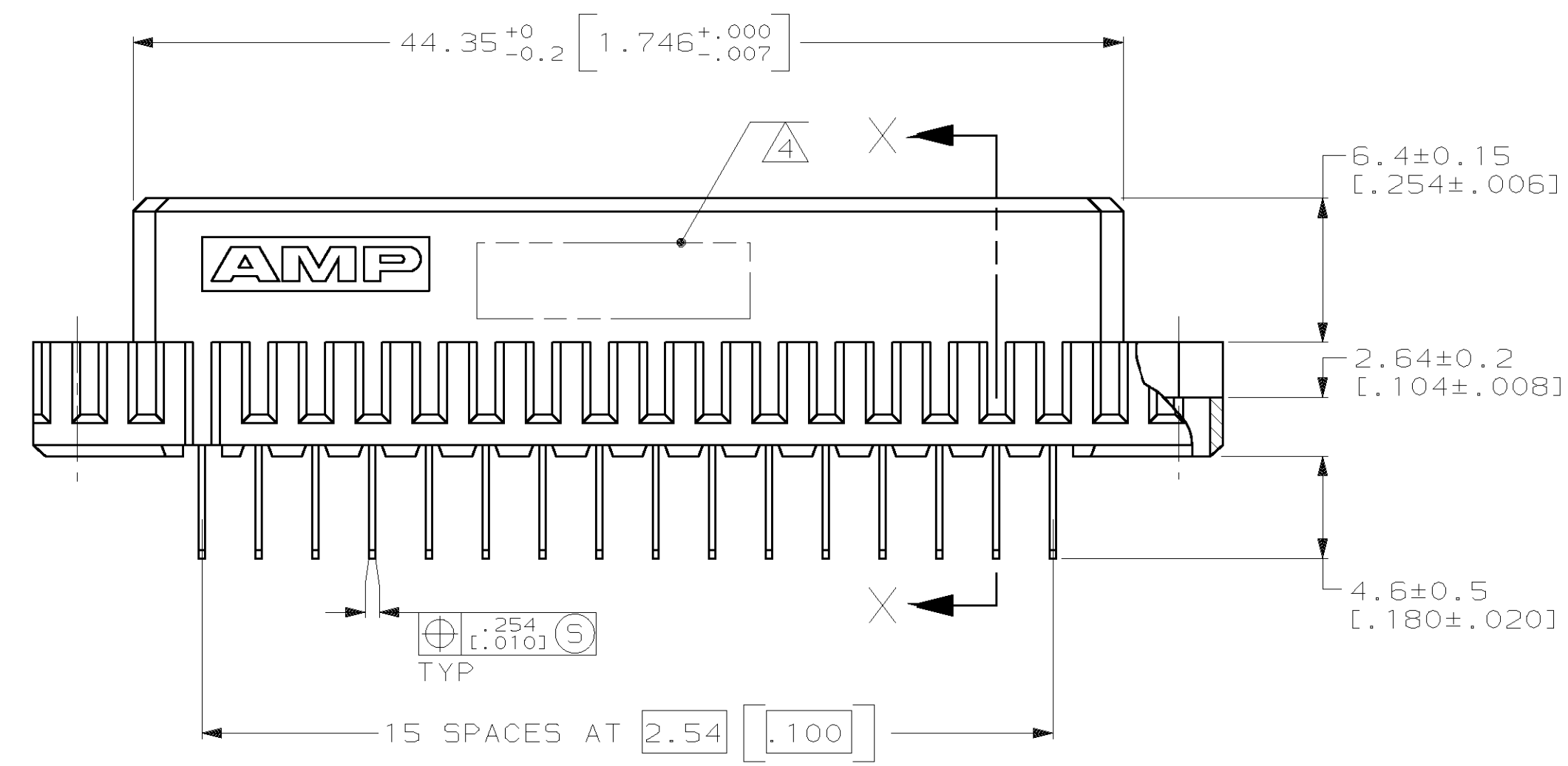
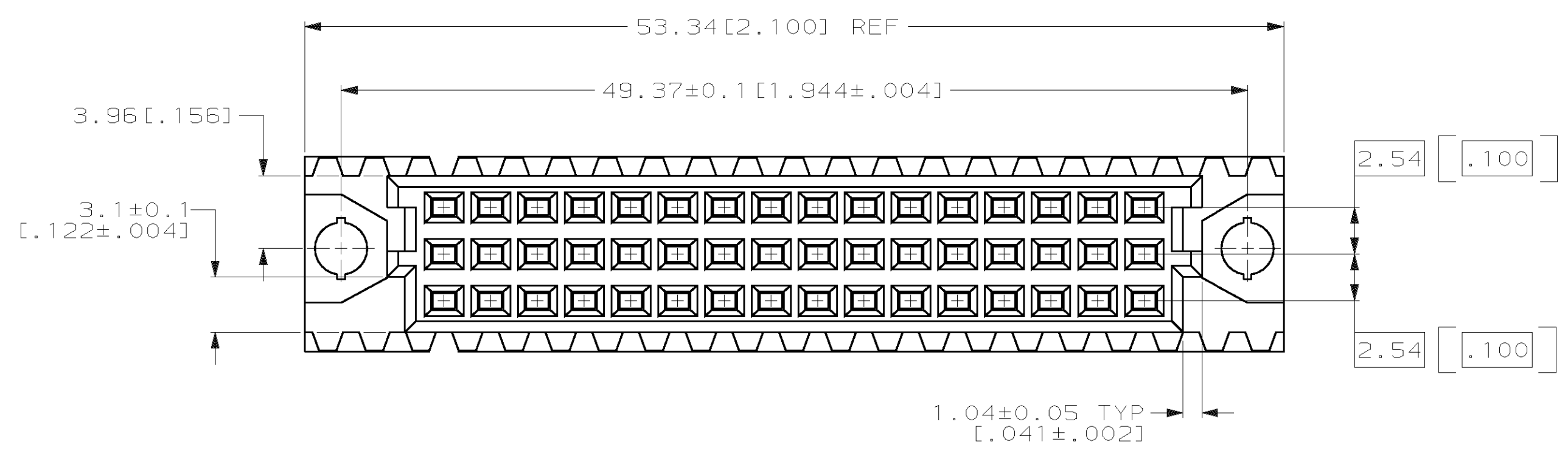
Tel: +86-755-8981 8866 Fax: +86-755-8427 6832

Email & Skype: info@chipsmall.com Web: www.chipsmall.com

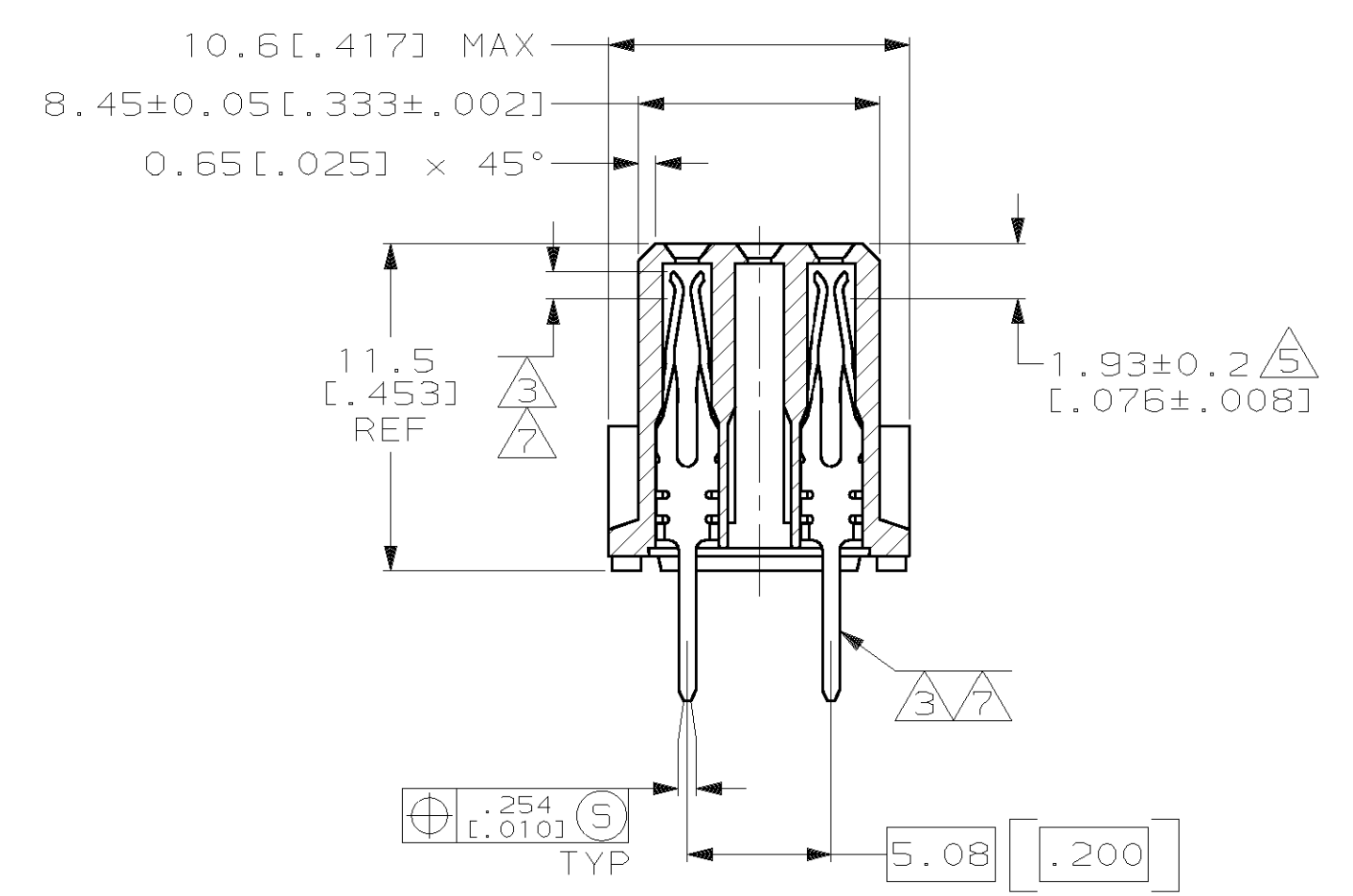
Address: A1208, Overseas Decoration Building, #122 Zhenhua RD., Futian, Shenzhen, China



LOC		DIST		P		F		ZONE		LTR		REVISIONS			
AD	25											DESCRIPTION	DATE	APPD	
												E	EC 0504-0113-96	12/13/96	CR
												F	REV PER EC 0U1B-0367-00	09 JAN 01	CR



- 1 HOUSING MATERIAL: GLASS-FILLED POLYESTER. COLOR: GRAY.
- 2 CONTACT MATERIAL: PHOSPHOR BRONZE.
- 3 CONTACT FINISH: 0.00076[.000030] GOLD IN CONTACT AREA. 0.00127[.000050] NICKEL UNDERPLATE ALL OVER. TIN-LEAD ON POSTS.
- 4 PART NUMBER, DATE CODE IDENTIFICATION, CSA LOGO IN THIS APPROXIMATE AREA ON REVERSE SIDE.
- 5 POINT OF MEASUREMENT FOR GOLD.
- 6 RECOMMENDED HOLE SIZE FOR MANUAL APPLICATION OF CONNECTOR ONTO PC BOARD.
- 7 CONTACT FINISH: DIN 41612 CLASS 2 IN CONTACT AREA. TIN-LEAD ON POSTS.



SECTION X-X

POSITIONS LOADED	C	B	A	NO. OF LOADED POSITION	ASSY PART NUMBER
	1 THRU 16	X	-		
1 THRU 16	X	-	X	32	650466-4

DO NOT SCALE PRINT. UNLESS SPECIFIED DIMENSIONS IN mm INCHES. TOLERANCES ON: 1 PLC DEC ±- 2 PLC DEC ±0.13[.005] ANGLES ±-	DR L. BRINER 3/12/90 CHK C. RICHARD 1/23/96 APPD C. RICHARD 1/23/96 MATERIAL HSG CONT	NAME RECEPTACLE ASSEMBLY, EUROCARD, TYPE "C"
FINISH CONT	APPLICATION SPEC WEIGHT	SIZE D FSCM NO 00779 DRAWING NO 650466 SCALE 4:1 SHEET 1 OF 1