



Chipsmall Limited consists of a professional team with an average of over 10 year of expertise in the distribution of electronic components. Based in Hongkong, we have already established firm and mutual-benefit business relationships with customers from,Europe,America and south Asia,supplying obsolete and hard-to-find components to meet their specific needs.

With the principle of “Quality Parts,Customers Priority,Honest Operation,and Considerate Service”,our business mainly focus on the distribution of electronic components. Line cards we deal with include Microchip,ALPS,ROHM,Xilinx,Pulse,ON,Everlight and Freescale. Main products comprise IC,Modules,Potentiometer,IC Socket,Relay,Connector.Our parts cover such applications as commercial,industrial, and automotives areas.

We are looking forward to setting up business relationship with you and hope to provide you with the best service and solution. Let us make a better world for our industry!



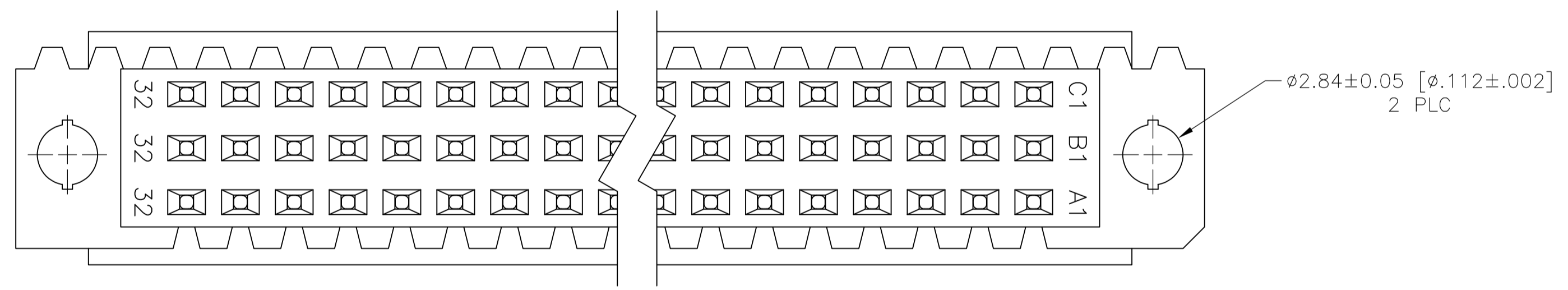
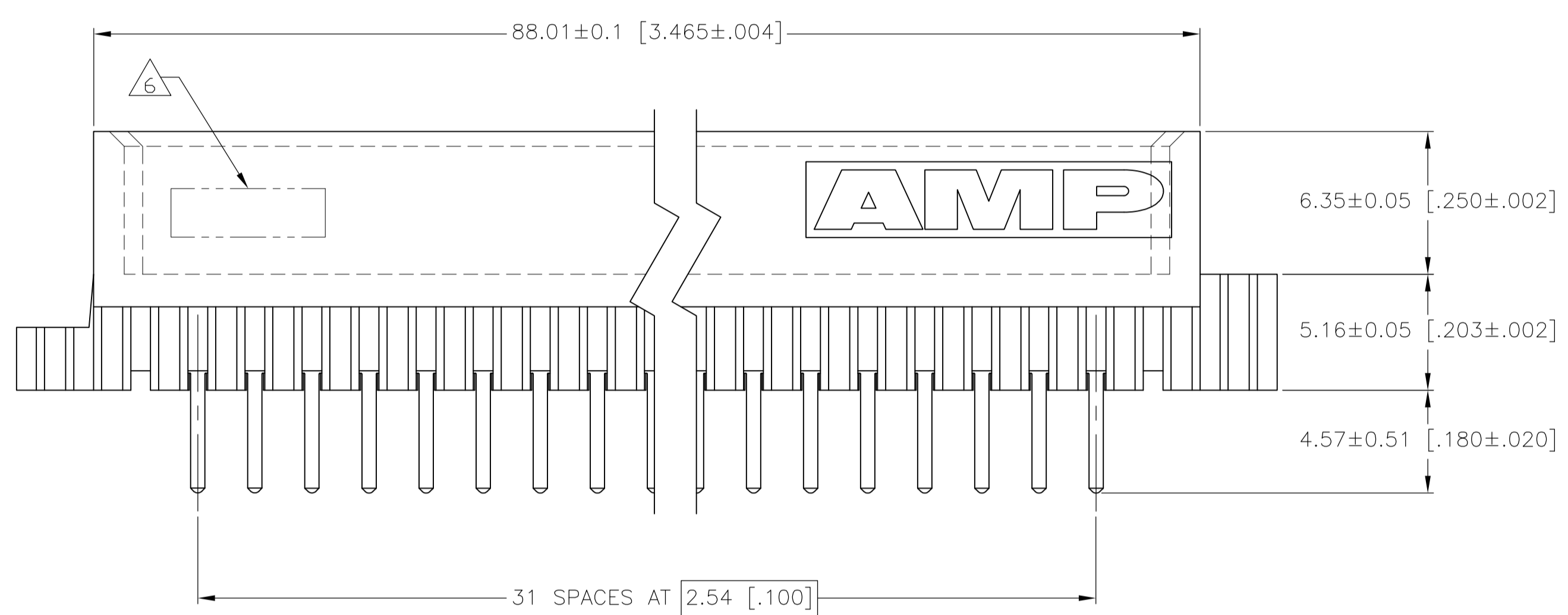
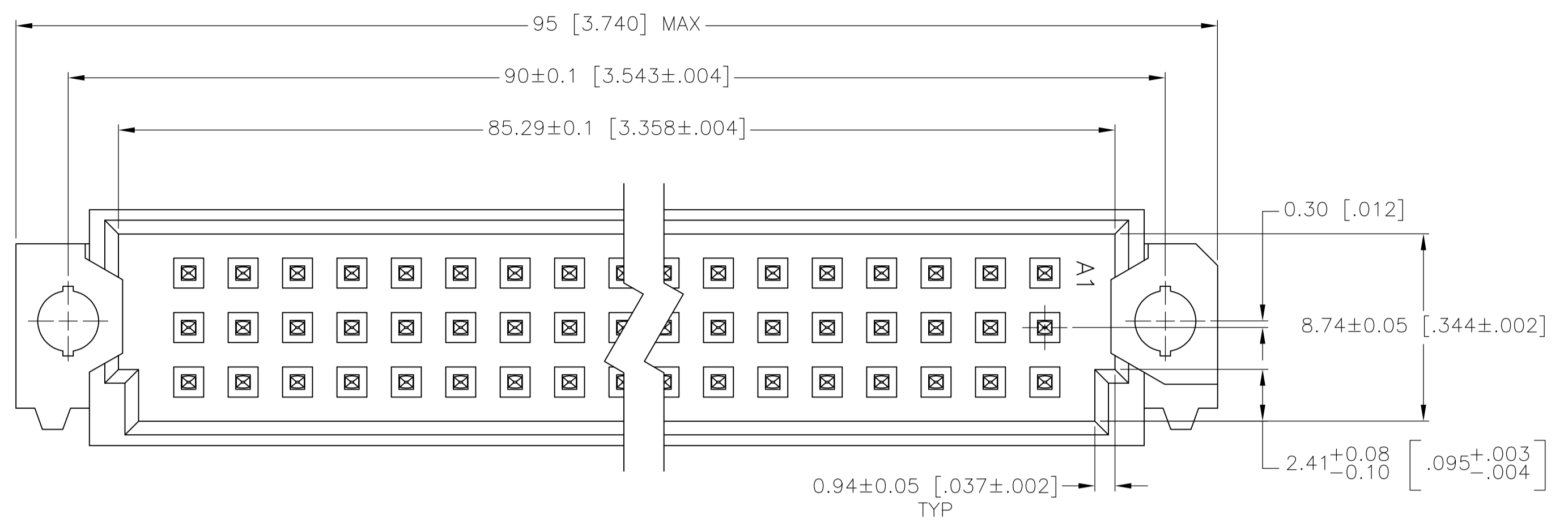
## Contact us

Tel: +86-755-8981 8866 Fax: +86-755-8427 6832

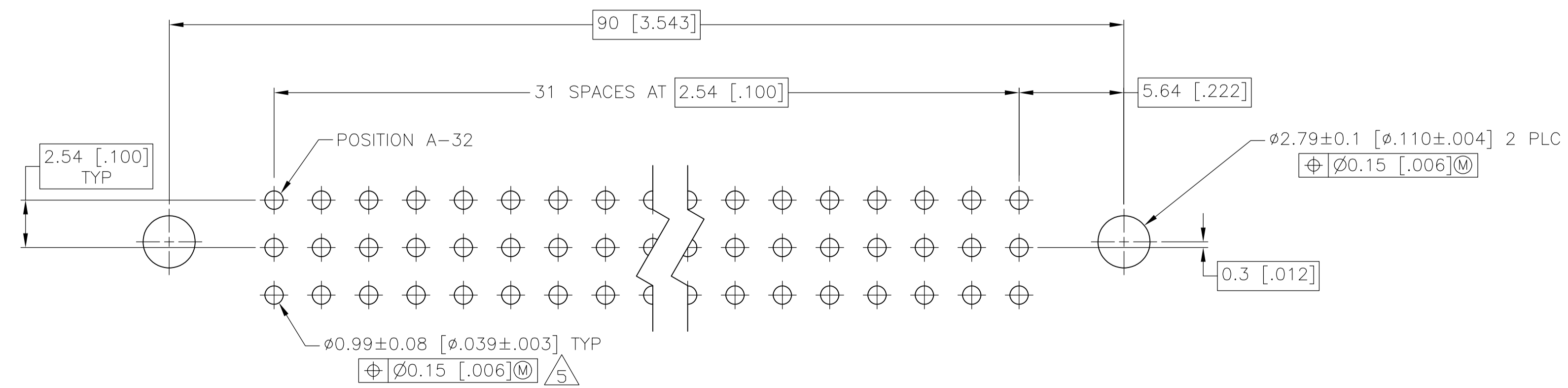
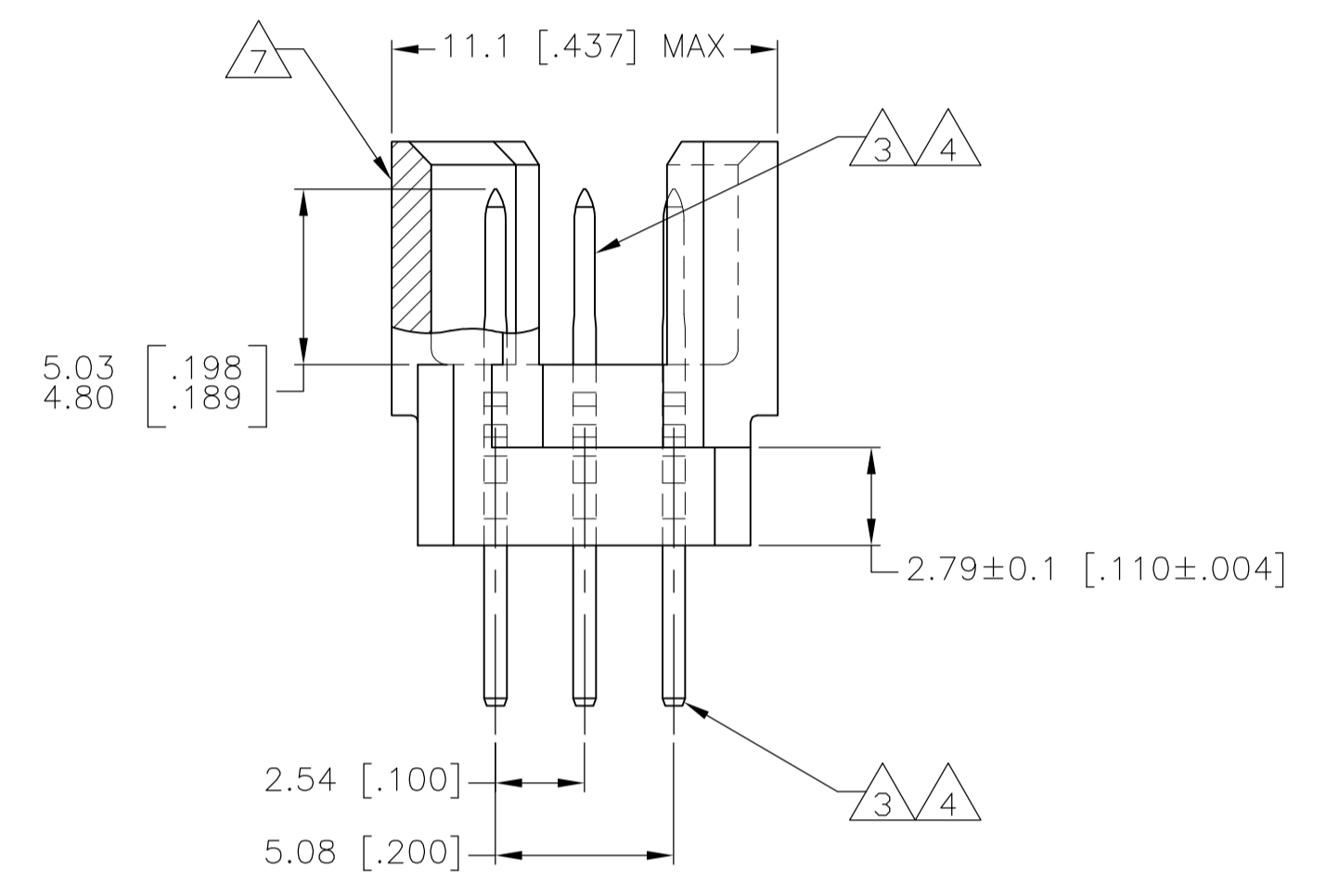
Email & Skype: info@chipsmall.com Web: www.chipsmall.com

Address: A1208, Overseas Decoration Building, #122 Zhenhua RD., Futian, Shenzhen, China





- 1 HOUSING MATERIAL: GLASS-FILLED POLYESTER, GRAY.
- 2 POST MATERIAL: BRASS.
- 3 POST FINISH: DIN 41612 CLASS 3 IN CONTACT AREA. TIN-LEAD PLATE ON POSTS.
- 4 POST FINISH: DIN 41612 CLASS 2 IN CONTACT AREA. TIN-LEAD PLATE ON POSTS.
- 5 RECOMMENDED HOLE SIZE FOR MANUAL APPLICATION OF CONNECTOR ONTO PC BOARD.
- 6 PART NUMBER, DATE CODE MARKED THIS APPROXIMATE AREA.
- 7 MARKING ON THIS SIDE.



PC BOARD LAYOUT

OBSOLETE	3	1-32	X	X	X	96	650470-9
	4	1-32	X	X	X	96	650470-5
NOTES	POSITIONS LOADED	C	B	A	NO OF LOADED POSITIONS	ASSY PART NUMBER	
THIS DRAWING IS A CONTROLLED DOCUMENT.		DIN L.BRINER 18MAR91		STE TE Connectivity			
DIMENSIONS: mm [INCHES]		TOLERANCES UNLESS OTHERWISE SPECIFIED:		D.C.RUBENDALL 26MAR91			
0 PLC ± -		1 PLC ± -		NAME D.C.RUBENDALL 26MAR91			
2 PLC ± 0.13 [.005]		3 PLC ± -		PRODUCT SPEC			
4 PLC ± -		ANGLES ± -		APPLICATION SPEC			
MATERIAL 1 2		FINISH 3 4		SIZE CAGE CODE DRAWING NO		RESTRICTED TO	
				A1 00779 C=650470		-	
CUSTOMER DRAWING		SCALE 5:1		SHEET 1 of 1		REV H1	