



Chipsmall Limited consists of a professional team with an average of over 10 year of expertise in the distribution of electronic components. Based in Hongkong, we have already established firm and mutual-benefit business relationships with customers from,Europe,America and south Asia,supplying obsolete and hard-to-find components to meet their specific needs.

With the principle of “Quality Parts,Customers Priority,Honest Operation,and Considerate Service”,our business mainly focus on the distribution of electronic components. Line cards we deal with include Microchip,ALPS,ROHM,Xilinx,Pulse,ON,Everlight and Freescale. Main products comprise IC,Modules,Potentiometer,IC Socket,Relay,Connector.Our parts cover such applications as commercial,industrial, and automotives areas.

We are looking forward to setting up business relationship with you and hope to provide you with the best service and solution. Let us make a better world for our industry!



Contact us

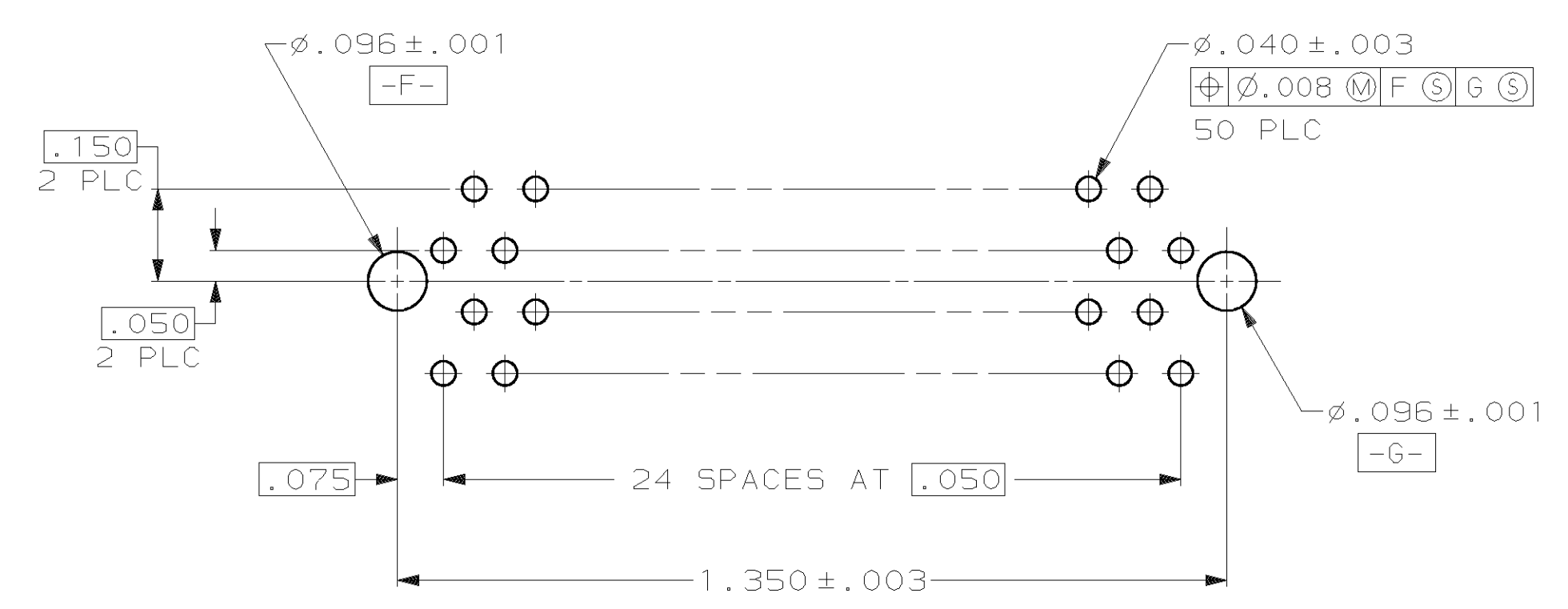
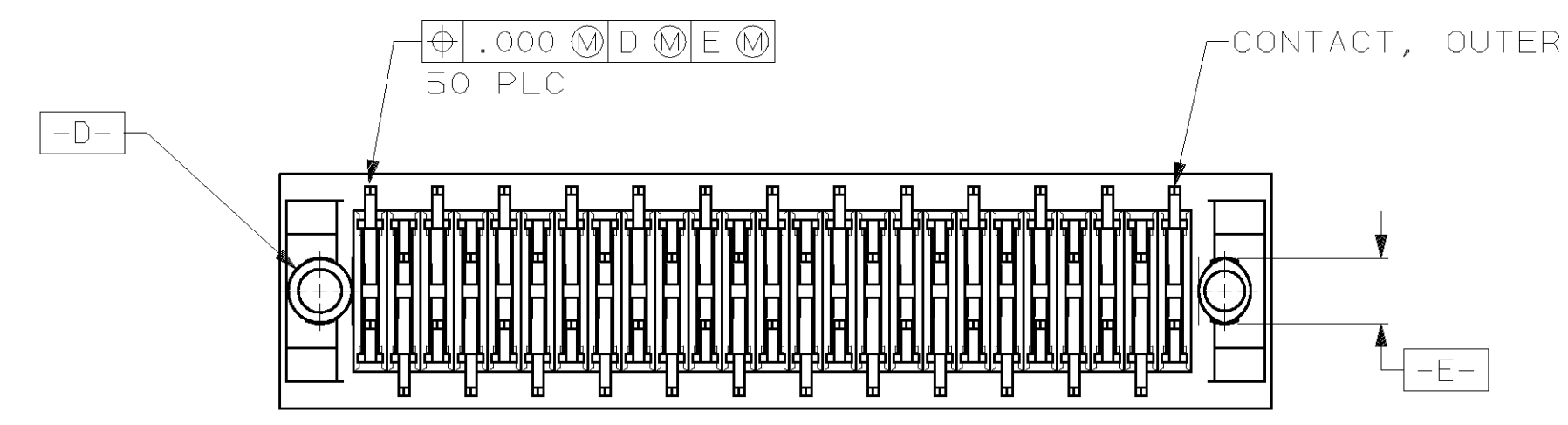
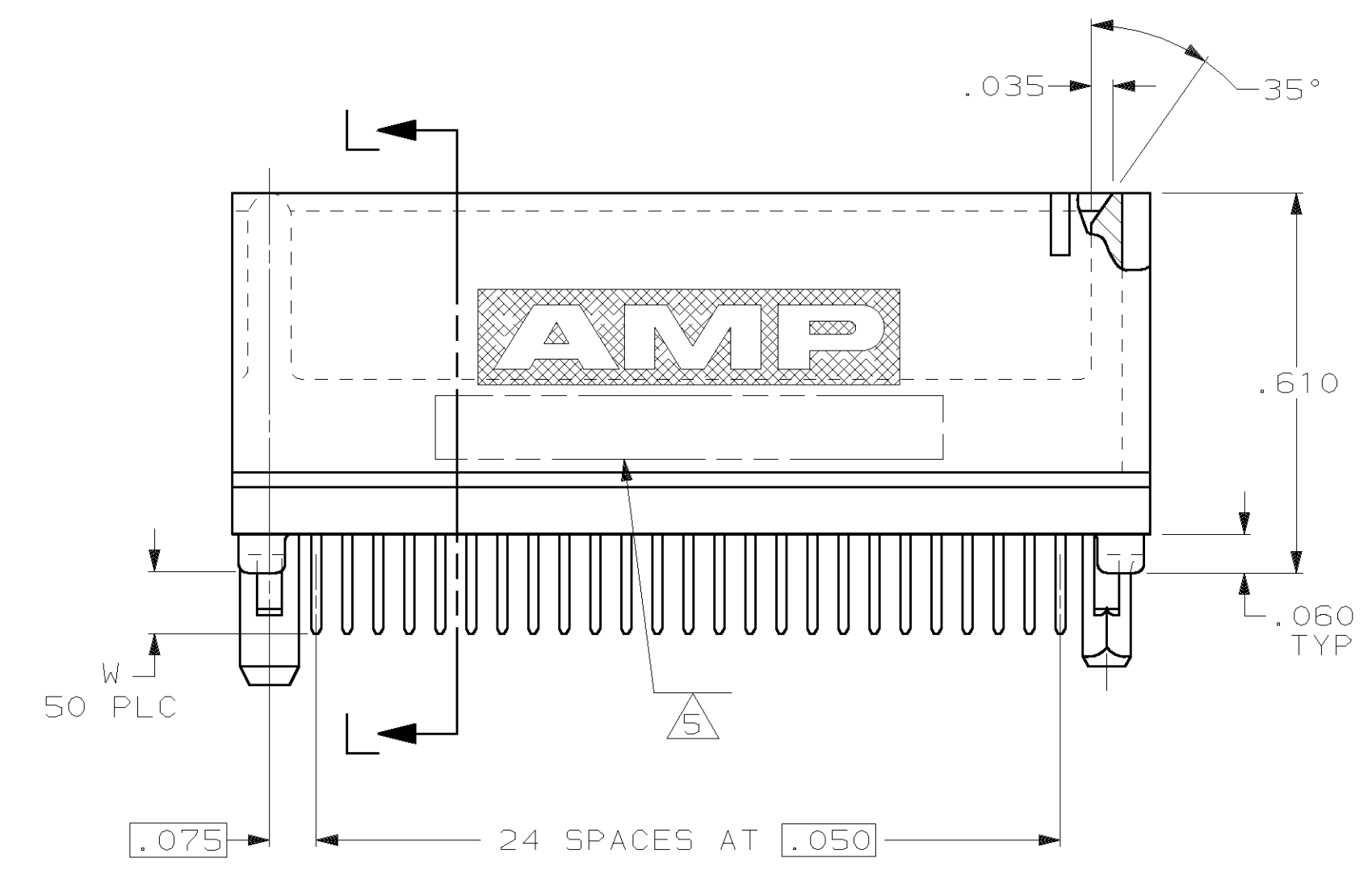
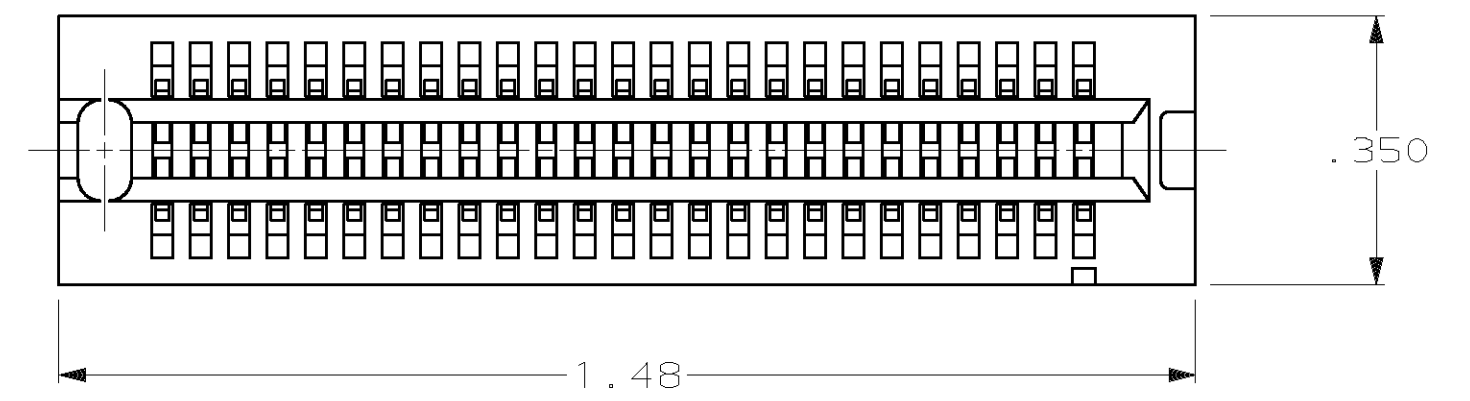
Tel: +86-755-8981 8866 Fax: +86-755-8427 6832

Email & Skype: info@chipsmall.com Web: www.chipsmall.com

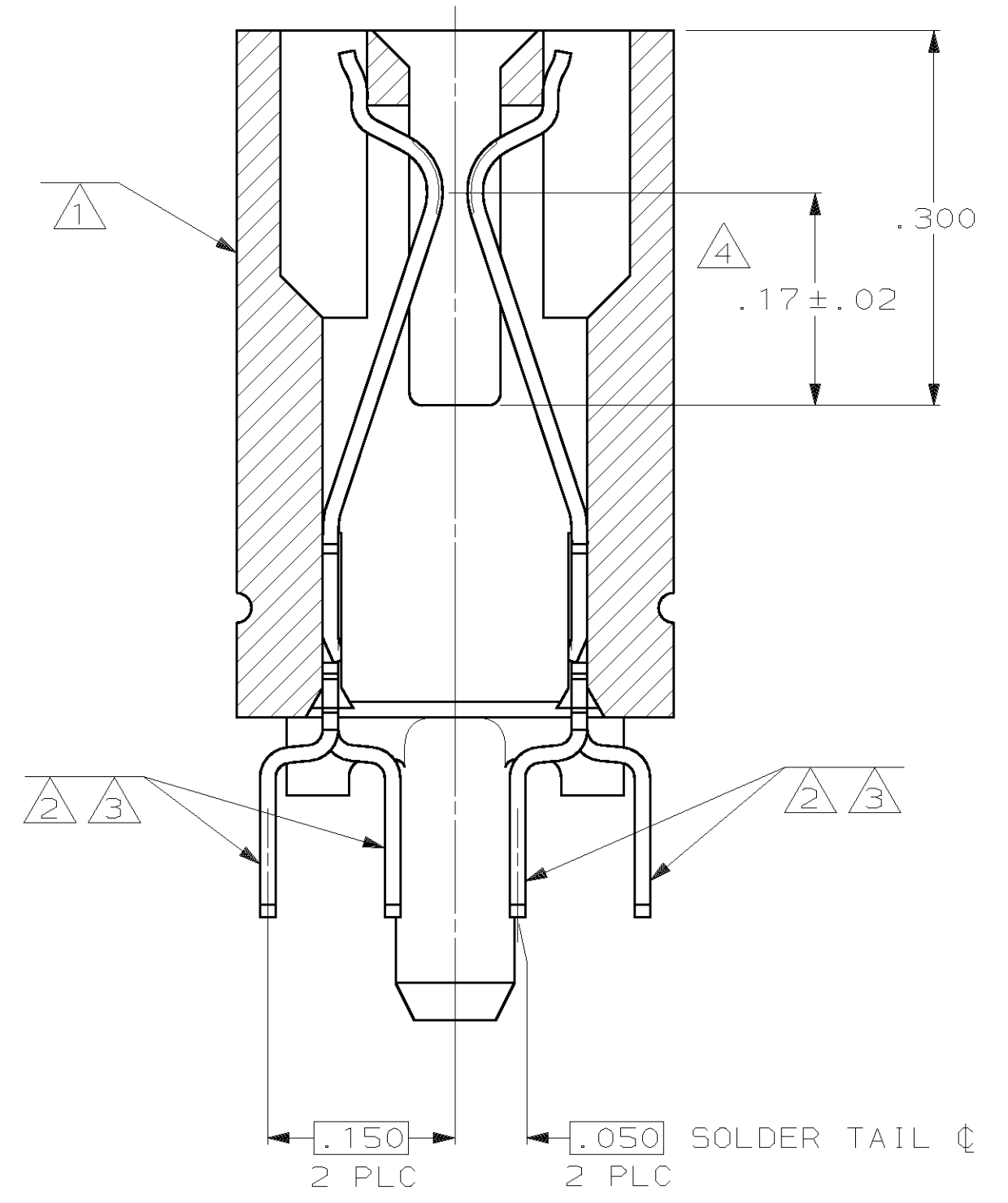
Address: A1208, Overseas Decoration Building, #122 Zhenhua RD., Futian, Shenzhen, China



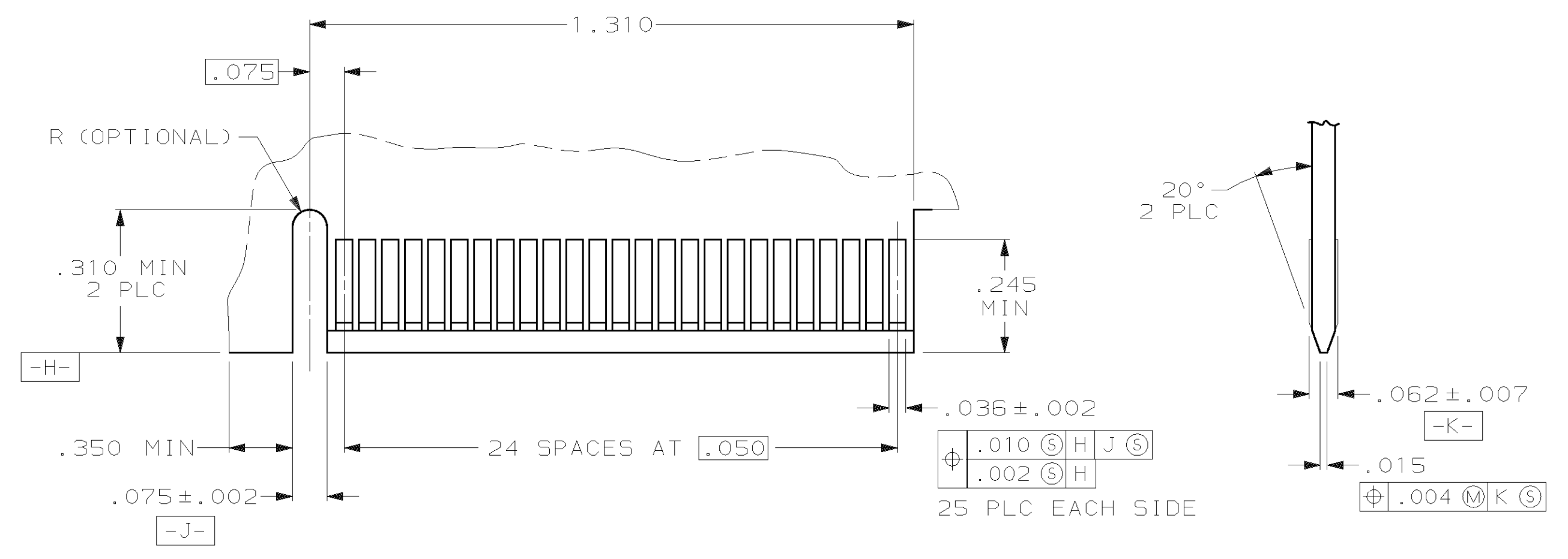
LOC	DIST	P	F	ZONE	LTR	DESCRIPTION	DATE	APPD
AD	25							
				B		REDRAWN PER AD-5103	3/91	MB
				C		REVISED PER AD6120	4/28/92	MB
				D		REVISED PER 0010-1146-94	7/29/94	SG
				E		REVISED PER 0010-0072-96	5/16/96	RB MB
				F		REV PER EC 0512-0047-02	12/10/02	RG MP



RECOMMENDED CONNECTOR MOUNTING HOLE PATTERN
 (CONNECTOR SIDE SHOWN)



SECTION L-L
 SCALE 8:1



RECOMMENDED MATING BOARD EDGE CONFIGURATION

- 1 HOUSING: HIGH TEMPERATURE THERMOPLASTIC. COLOR: BROWN.
- 2 CONTACT: PHOSPHOR BRONZE.
- 3 CONTACT FINISH: .000100 MIN NICKEL ALL OVER.
.000030 MIN GOLD OVER NICKEL IN CONTACT AREA.
.000100 MIN TIN-LEAD OVER NICKEL ON SOLDER TAILS.
- 4 DISTANCE FROM CONTACT POINT TO BOTTOM OF CARD SLOT.
- 5 AMP PART NUMBER, DATE CODE AND CSA LOGO MARKED IN APPROXIMATE AREA SHOWN.

DO NOT SCALE PRINT. UNLESS SPECIFIED DIMENSIONS IN mm [INCHES] TOLERANCES ON: 2 PLC DEC ± .01 3 PLC DEC ± .005 ANGLES ± 2°		DR 3/21/91 K.L.CLOUSER/UTA		AMP Incorporated Harrisburg, PA 17105-3608	
MATERIAL HOUSING: 1 CONTACT: 2		CHK 11-21-91 M.BOWERS			
FINISH CONTACT: 3		APPD 11-21-91 M.THURMA		NAME CONNECTOR ASSEMBLY, END KEYED, 25 DUAL POSITION, .050 SERIES, STANDARD EDGE	
MATERIAL		APPD 11-21-91 M.BOWERS		SIZE D 00779	
PRODUCT SPEC 108-14034		APPLICATION SPEC 114-26012		CAGE CODE 00779	
WEIGHT		SCALE 4:1		DRAWING NO 650719	
				SHEET 1 OF 1	

.14	650719-2
.10	650719-1
W	PART NUMBER