



Chipsmall Limited consists of a professional team with an average of over 10 year of expertise in the distribution of electronic components. Based in Hongkong, we have already established firm and mutual-benefit business relationships with customers from,Europe,America and south Asia,supplying obsolete and hard-to-find components to meet their specific needs.

With the principle of "Quality Parts,Customers Priority,Honest Operation,and Considerate Service",our business mainly focus on the distribution of electronic components. Line cards we deal with include Microchip,ALPS,ROHM,Xilinx,Pulse,ON,Everlight and Freescale. Main products comprise IC,Modules,Potentiometer,IC Socket,Relay,Connector.Our parts cover such applications as commercial,industrial, and automotives areas.

We are looking forward to setting up business relationship with you and hope to provide you with the best service and solution. Let us make a better world for our industry!



Contact us

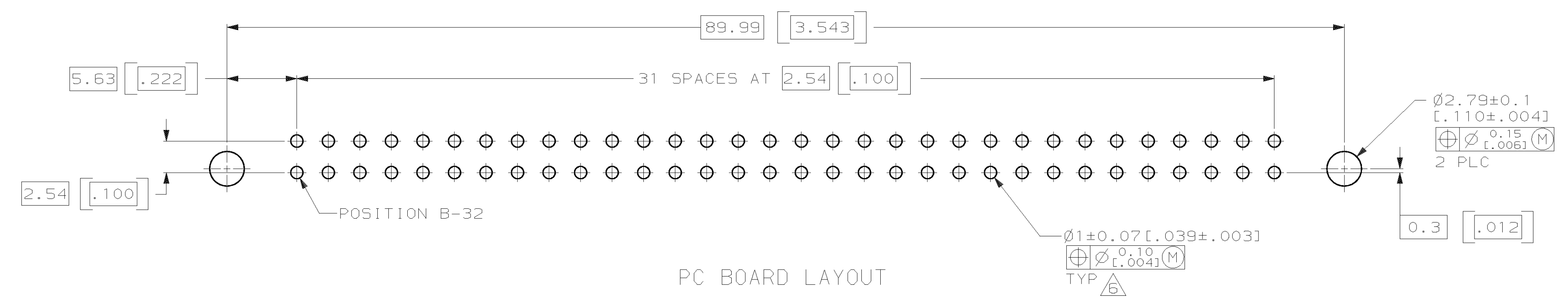
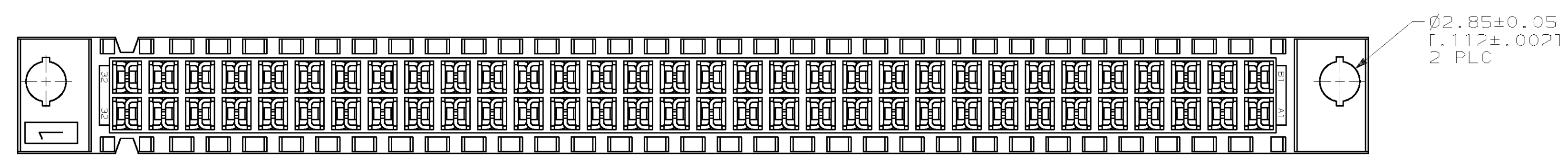
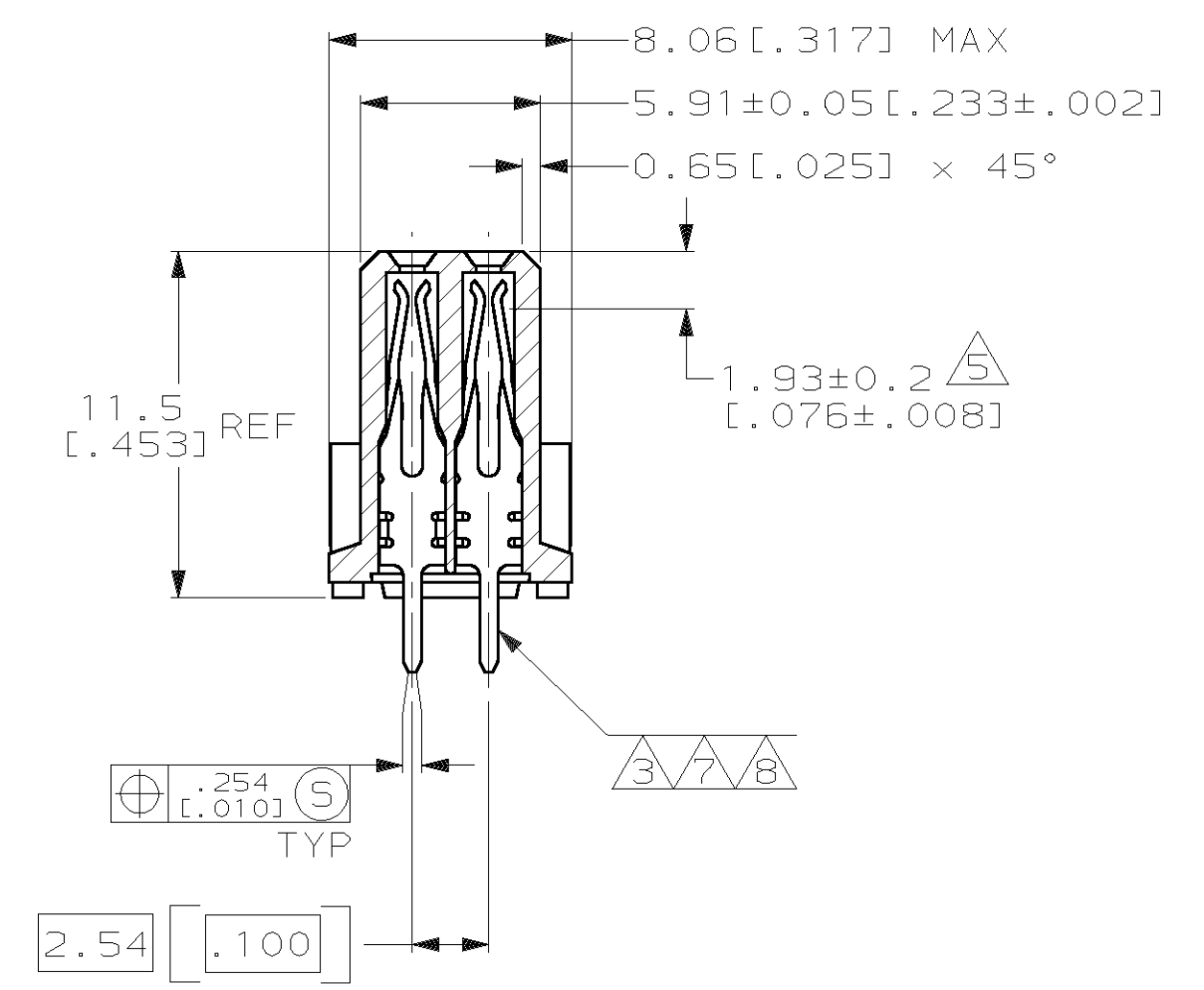
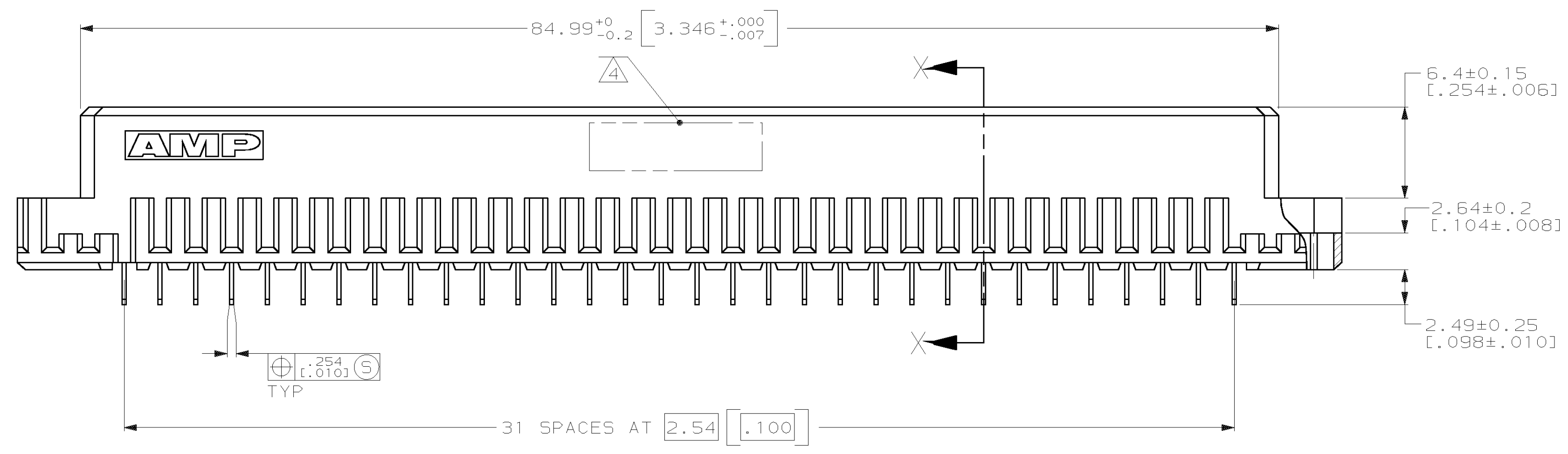
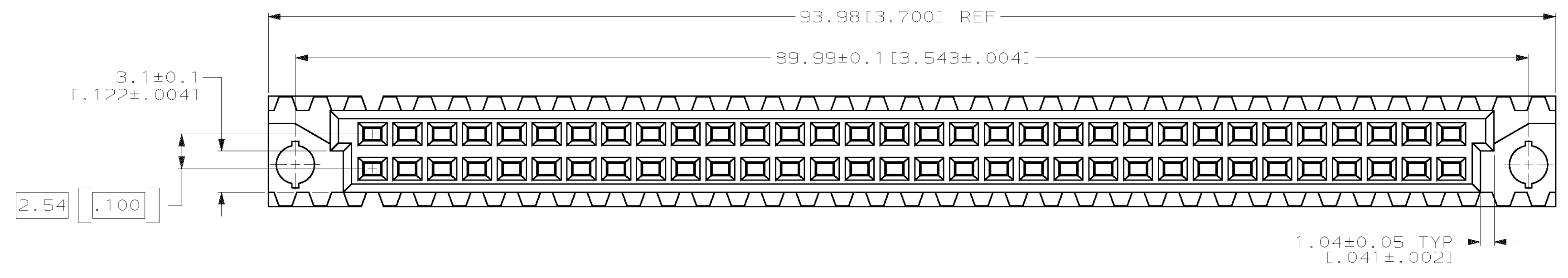
Tel: +86-755-8981 8866 Fax: +86-755-8427 6832

Email & Skype: info@chipsmall.com Web: www.chipsmall.com

Address: A1208, Overseas Decoration Building, #122 Zhenhua RD., Futian, Shenzhen, China



LOC		DIST		P		F		ZONE		LTR		REVISIONS			
AD	25											DESCRIPTION	DATE	APPD	
												D	EC 0010-1491-95	4/1/96	CR
												E	REV PER EC 0512-0016-03	09JAN04	AS



SECTION X-X

NOTE	POSITIONS LOADED	B	A	NO. OF LOADED POSITION	ASSY PART NUMBER
OBSOLETE	1 THRU 32	X	X	64	650859-9
	1 THRU 32	X	X	64	650859-5
SUPERSEDED BY 650859-5	1 THRU 32	X	X	64	650859-4

DO NOT SCALE PRINT. UNLESS SPECIFIED DIMENSIONS IN mm [INCHES]. TOLERANCES ON: 1 PLC DEC ± - 2 PLC DEC ± 0.13 [.005] ANGLES ± -	DR L. BRINER 6/27/90 CHK J. BROWN 7/18/90 APPD J. BROWN 7/18/90 MATERIAL HSG CONT	DR L. BRINER 6/27/90 CHK J. BROWN 7/18/90 APPD J. BROWN 7/19/90 MATERIAL HSG CONT	NAME RECEPTACLE ASSEMBLY, EUROCARD, TYPE B
FINISH CONT	APPLICATION SPEC	SIZE D	FSCM NO 00779
		DRAWING NO	650859
		SCALE	4:1
		SHEET	1 OF 1

