



Chipsmall Limited consists of a professional team with an average of over 10 year of expertise in the distribution of electronic components. Based in Hongkong, we have already established firm and mutual-benefit business relationships with customers from,Europe,America and south Asia,supplying obsolete and hard-to-find components to meet their specific needs.

With the principle of “Quality Parts,Customers Priority,Honest Operation,and Considerate Service”,our business mainly focus on the distribution of electronic components. Line cards we deal with include Microchip,ALPS,ROHM,Xilinx,Pulse,ON,Everlight and Freescale. Main products comprise IC,Modules,Potentiometer,IC Socket,Relay,Connector.Our parts cover such applications as commercial,industrial, and automotives areas.

We are looking forward to setting up business relationship with you and hope to provide you with the best service and solution. Let us make a better world for our industry!



Contact us

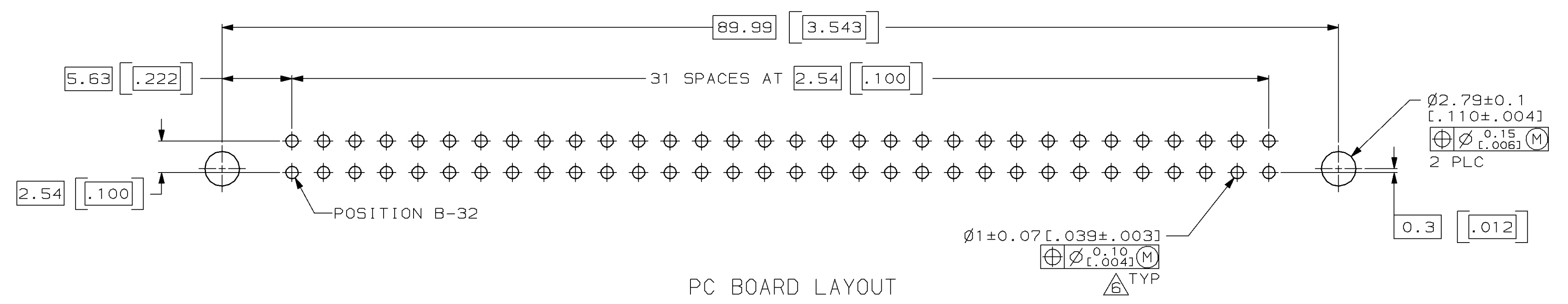
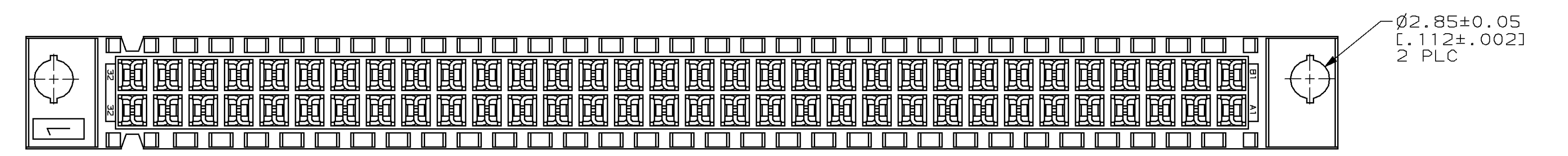
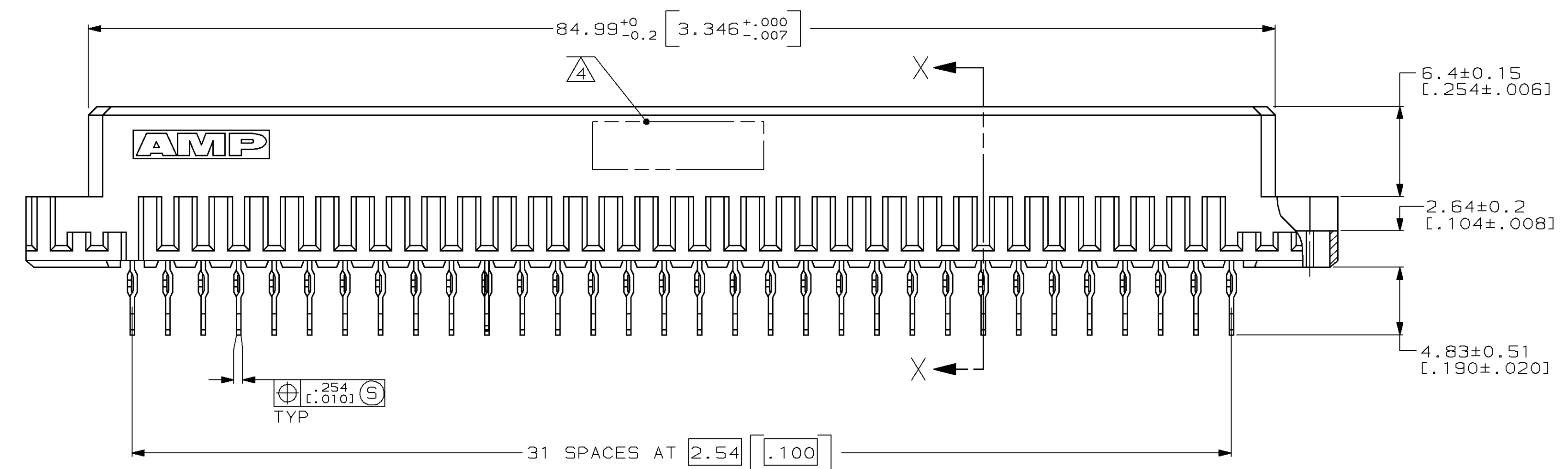
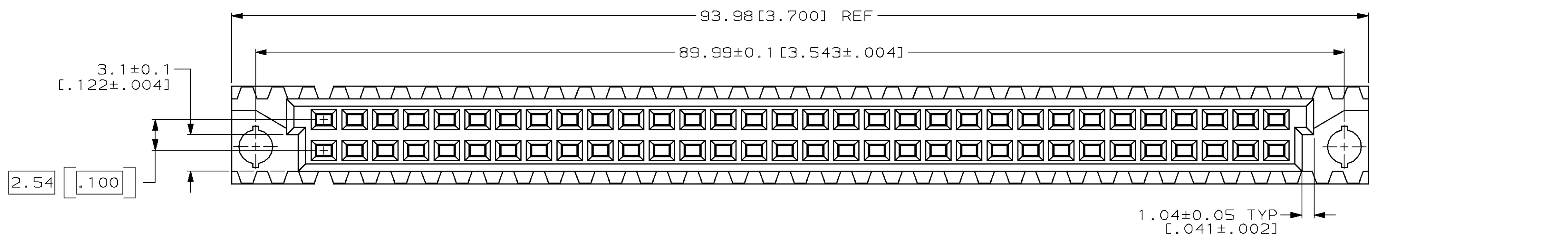
Tel: +86-755-8981 8866 Fax: +86-755-8427 6832

Email & Skype: info@chipsmall.com Web: www.chipsmall.com

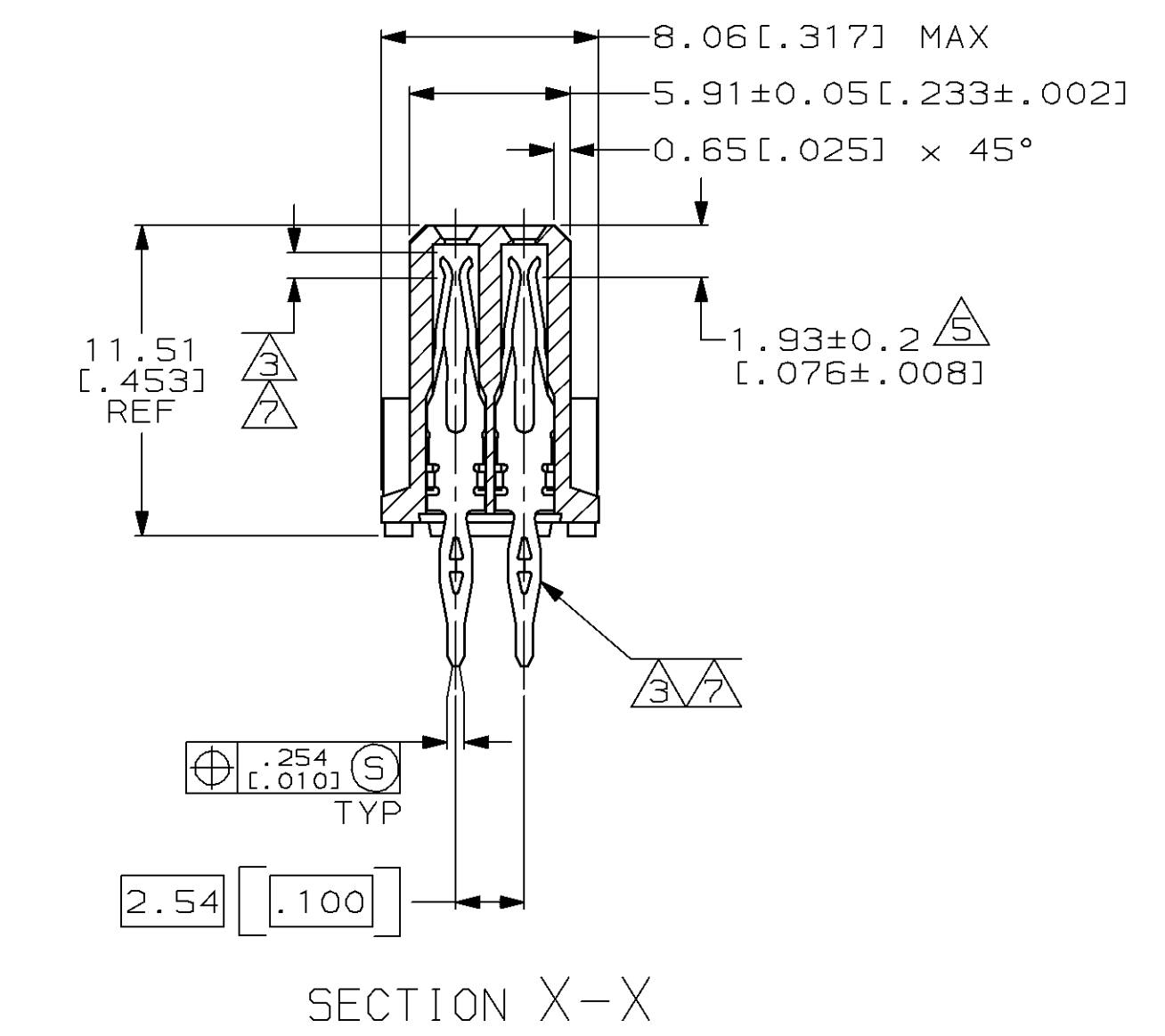
Address: A1208, Overseas Decoration Building, #122 Zhenhua RD., Futian, Shenzhen, China



LOC		DIST		P		F		ZONE		LTR		REVISIONS			
AD	25											DESCRIPTION	DATE	APPD	
												D	EC 0010-1434-95	1/18/96	RAP
												E	EC 0010-1486-95	4/1/96	CR



- △ HOUSING MATERIAL: GLASS-FILLED POLYESTER. COLOR: GRAY.
- △ CONTACT MATERIAL: PHOSPHOR BRONZE.
- △ CONTACT FINISH: DIN 41612 CLASS 2 IN CONTACT AREA. NICKEL UNDERPLATE ALL OVER. TIN-LEAD ON POSTS.
- △ PART NUMBER, DATE CODE IDENTIFICATION, CSA LOGO IN THIS APPROXIMATE AREA, ON REVERSE SIDE.
- △ POINT OF MEASUREMENT FOR GOLD.
- △ ACTION PIN POSTS REQUIRE 1.57 [0.062] MINIMUM THICK PC BOARD. RECOMMENDED PC BOARD HOLES ARE Ø1.151 ± 0.02 [0.0453 ± .001] DRILLED HOLES WITH 0.02-0.07 [0.001-.003] COPPER AND 0.008 [0.0003] MINIMUM TIN-LEAD PLATING. FINISHED HOLES AFTER PLATING, Ø0.94-1.09 [0.037-.043].
- △ CONTACT FINISH: DIN 41612 CLASS 3 IN CONTACT AREA. NICKEL UNDERPLATE ALL OVER. TIN-LEAD ON POSTS.



OBSOLETE	NOTE	POSITIONS LOADED		NO. OF LOADED POSITION	ASSY PART NUMBER	
		B	A			
		1 THRU 32	X	X	64	650865-9
		1 THRU 32	X	X	64	650865-5
SUPERSEDED BY 650865-5		1 THRU 32	X	X	64	650865-4

DO NOT SCALE PRINT. UNLESS SPECIFIED DIMENSIONS IN mm [INCHES]. TOLERANCES ON:	DR L. BRINER 6/27/90	AMP AMP INCORPORATED Harrisburg, Pa. 17105
1 PLC DEC ± -	CHK J. BROWN 7/18/90	
2 PLC DEC ± 0.13 [.005]	APPD J. BROWN 7/18/90	
ANGLES ± -	APPD J. BROWN 7/19/90	
MATERIAL	APPD K.R. PARMER 7/19/90	NAME
HSG △	PRODUCT SPEC	RECEPTACLE ASSEMBLY, EUROCARD, TYPE "B"
CONT △		
FINISH	APPLICATION SPEC	SIZE
CONT △△		D 00779
	WEIGHT	FSCM NO
		00779
		DRAWING NO
		650865
		SCALE
		4:1
		SHEET
		1 OF 1

