



Chipsmall Limited consists of a professional team with an average of over 10 year of expertise in the distribution of electronic components. Based in Hongkong, we have already established firm and mutual-benefit business relationships with customers from,Europe,America and south Asia,supplying obsolete and hard-to-find components to meet their specific needs.

With the principle of “Quality Parts,Customers Priority,Honest Operation,and Considerate Service”,our business mainly focus on the distribution of electronic components. Line cards we deal with include Microchip,ALPS,ROHM,Xilinx,Pulse,ON,Everlight and Freescale. Main products comprise IC,Modules,Potentiometer,IC Socket,Relay,Connector.Our parts cover such applications as commercial,industrial, and automotives areas.

We are looking forward to setting up business relationship with you and hope to provide you with the best service and solution. Let us make a better world for our industry!



Contact us

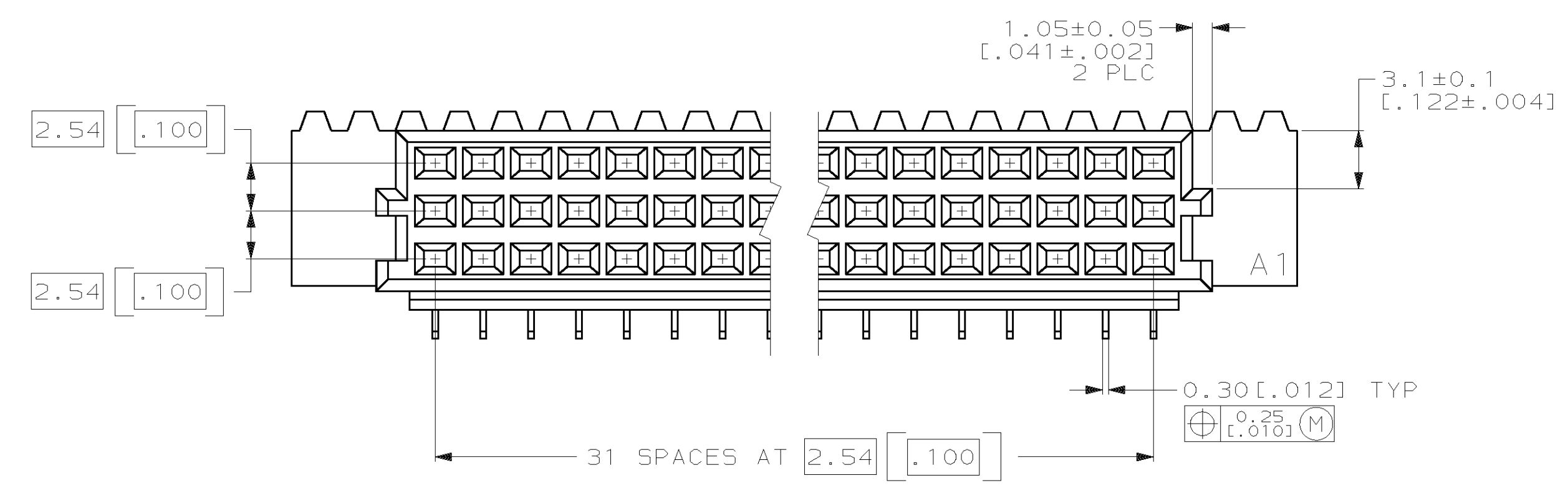
Tel: +86-755-8981 8866 Fax: +86-755-8427 6832

Email & Skype: info@chipsmall.com Web: www.chipsmall.com

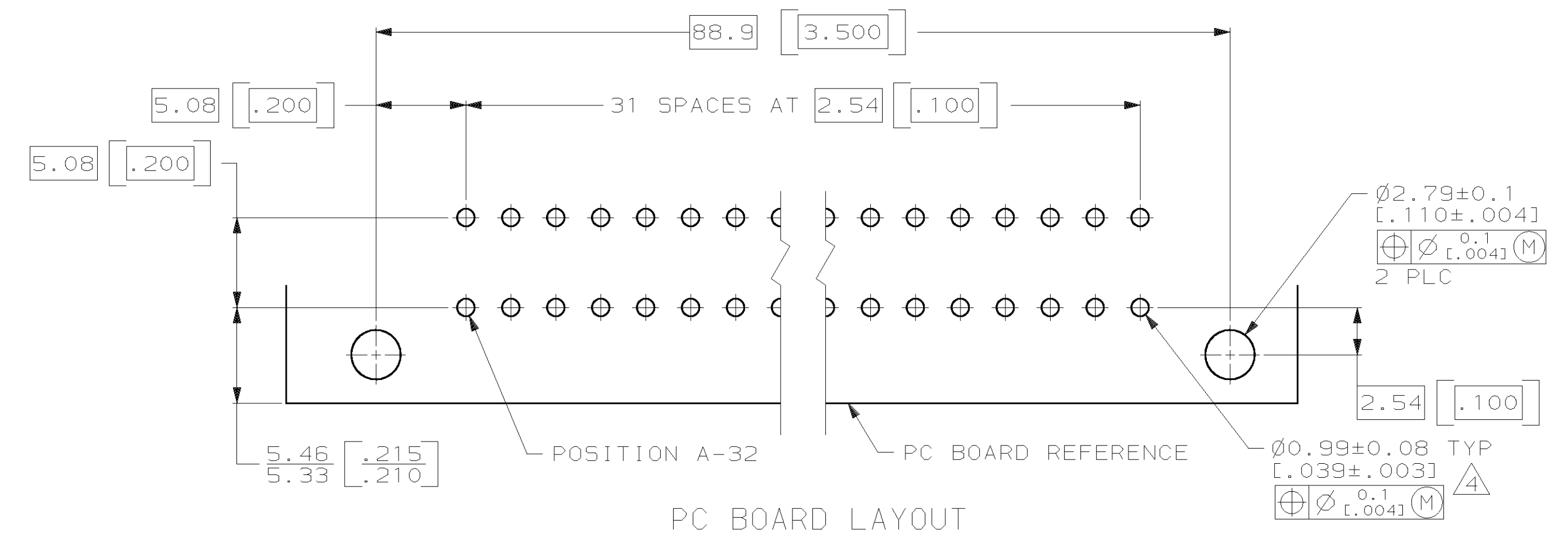
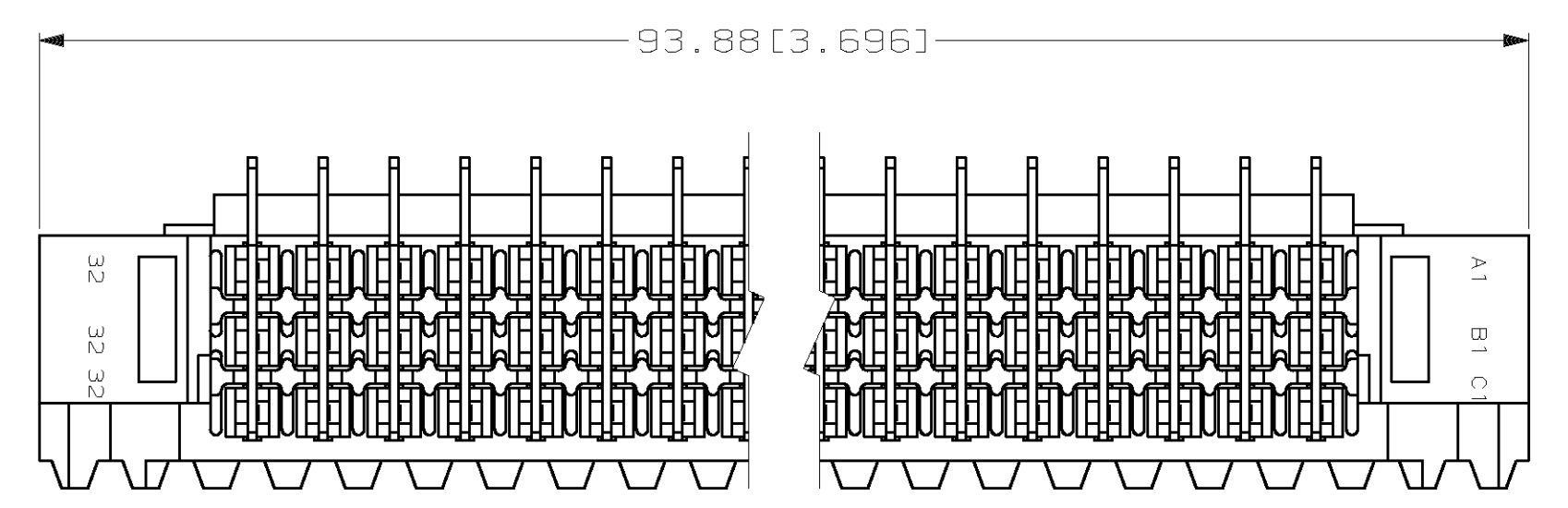
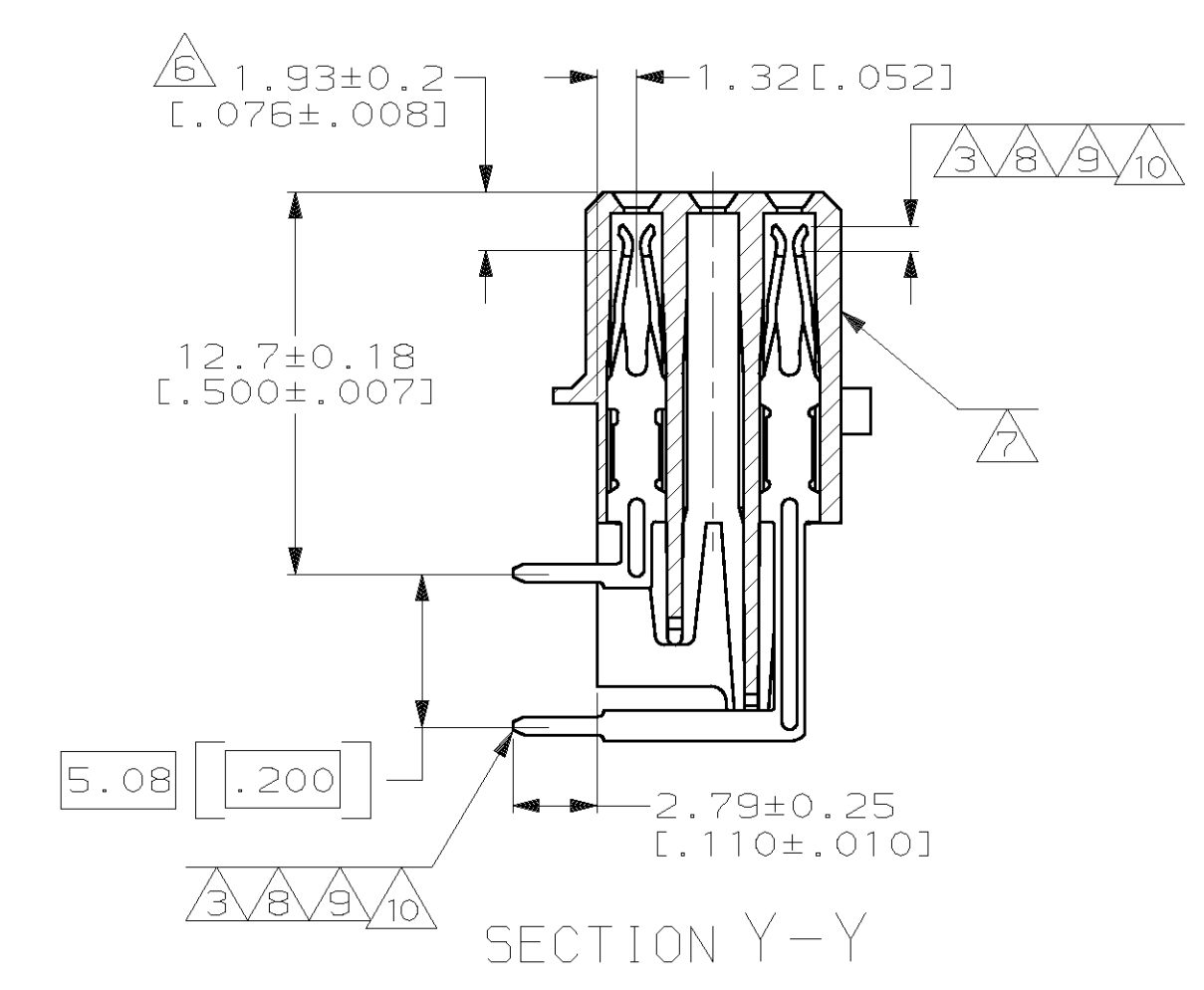
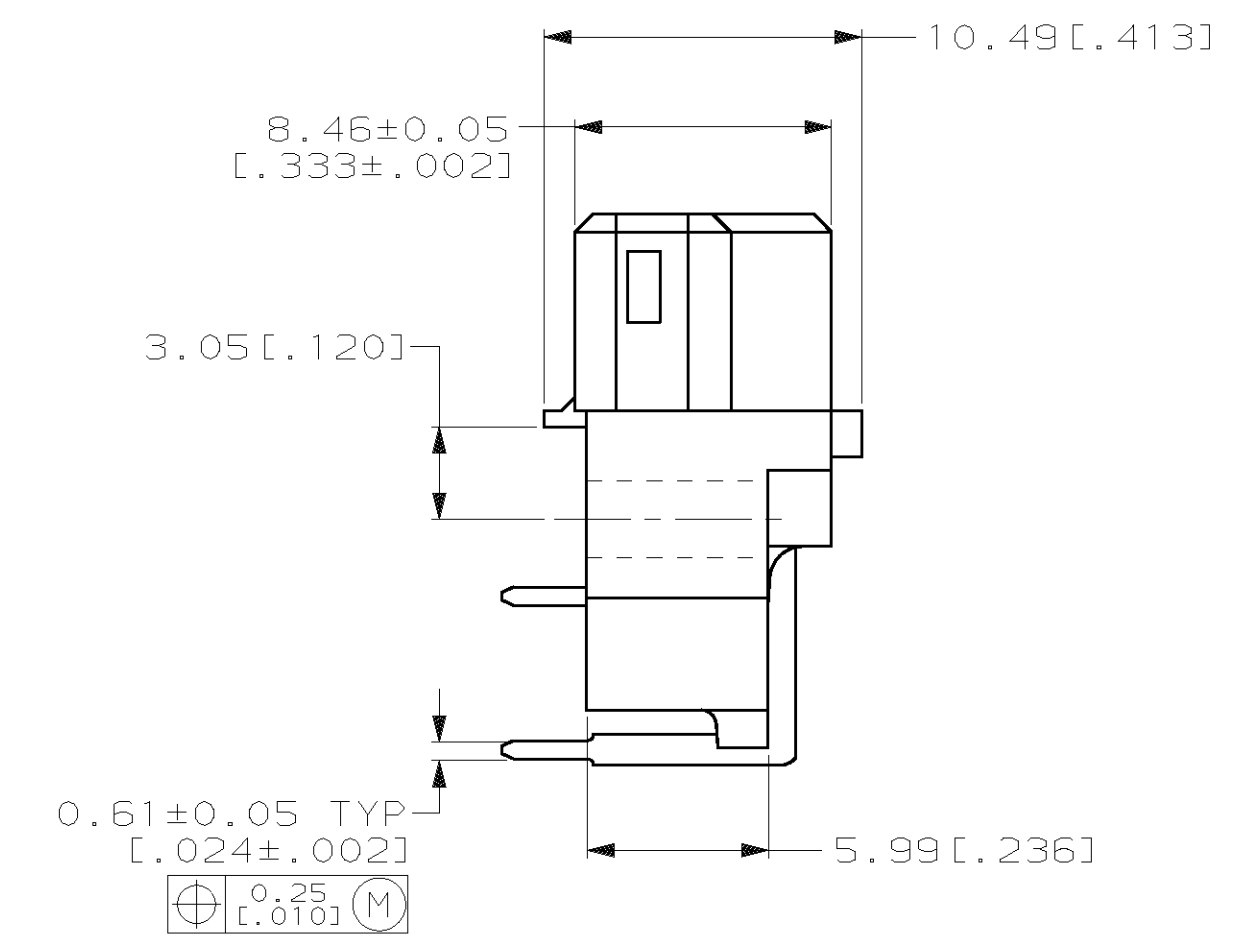
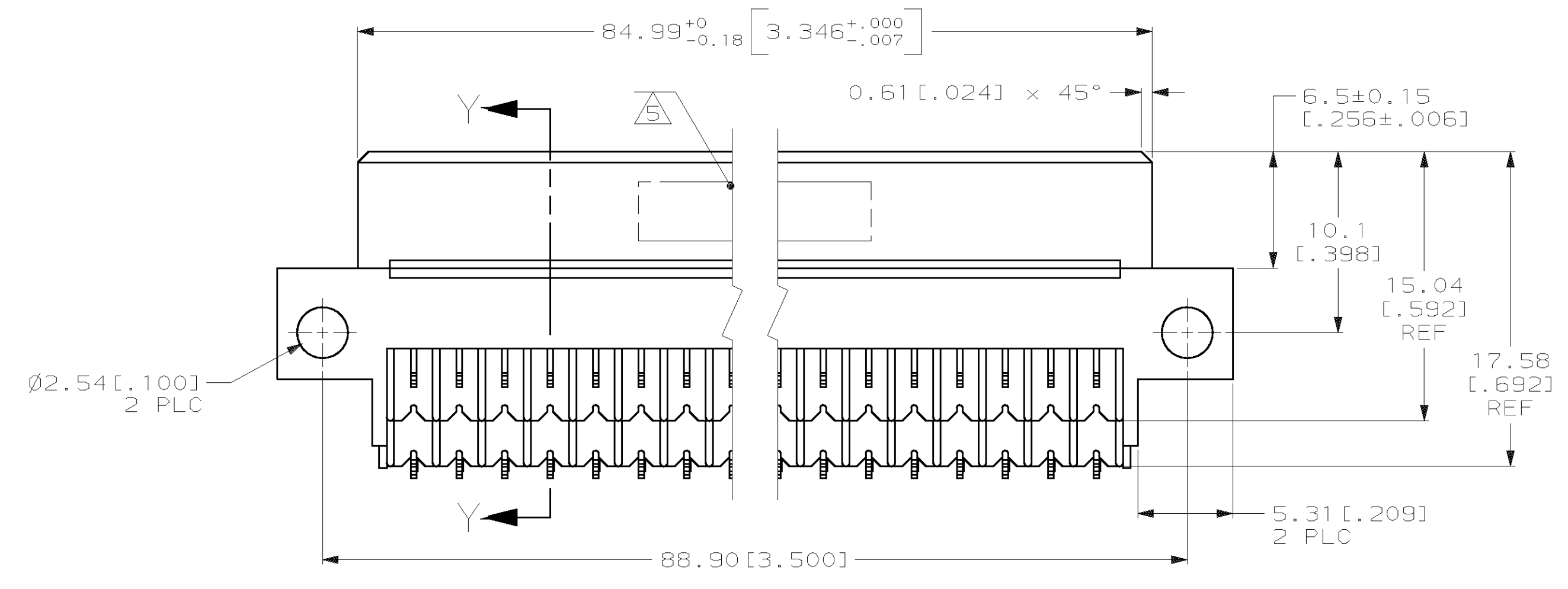
Address: A1208, Overseas Decoration Building, #122 Zhenhua RD., Futian, Shenzhen, China



LOC	DIST	P	F	ZONE	LTR	DESCRIPTION	DATE	APPD
AD	25				R	ADDED -6 PER EC 0621-103-99	08 APR 99	CR
					S	REV PER EC 0U1B-0203-00	15 AUG 00	CR
					T	REV PER EC 0S12-0016-03	09 JAN 04	AS



- ① HOUSING MATERIAL: GLASS-FILLED POLYESTER. COLOR: GRAY.
- ② CONTACT MATERIAL: PHOSPHOR BRONZE.
- ③ CONTACT FINISH: 0.00076[.000030] GOLD IN CONTACT AREA. 0.00127[.000050] NICKEL UNDERPLATE ALL OVER. TIN-LEAD ON POSTS.
- ④ RECOMMENDED HOLE SIZE FOR MANUAL APPLICATION OF CONNECTOR ONTO PC BOARD.
- ⑤ PART NUMBER, DATE CODE IDENTIFICATION, CSA LOGO HOT-STAMPED THIS APPROXIMATE AREA.
- ⑥ CONTACT POINT.
- ⑦ HOT-STAMPING ON THIS SIDE.
- ⑧ CONTACT FINISH: DIN 41612 CLASS 3 IN CONTACT AREA. TIN-LEAD ON POSTS.
- ⑨ CONTACT FINISH: DIN 41612 CLASS 1 IN CONTACT AREA. TIN-LEAD ON POSTS.
- ⑩ CONTACT FINISH: DIN 41612 CLASS 2 IN CONTACT AREA. TIN-LEAD ON POSTS.



NOTES	POSITIONS LOADED	C	B	A	NO. OF LOADED POSITION	ASSY PART NUMBER	
SUPERSEDED BY 650870-4							
OBSOLETE	⑧	1 THRU 32	X	-	X	64	650870-9
OBSOLETE	⑩	1 THRU 32	X	-	X	64	650870-6
OBSOLETE	⑩	1 THRU 32	X	-	X	64	650870-5
OBSOLETE	③	1 THRU 32	X	-	X	64	650870-4
OBSOLETE	⑨	1 THRU 32	X	-	X	64	650870-1

DO NOT SCALE PRINT. UNLESS SPECIFIED DIMENSIONS IN mm [INCHES] TOLERANCES ON: 1 PLC DEC ± . 2 PLC DEC ± 0.13[.005] ANGLES ± -

DR L. BRINER 9/17/90
 CHK N. DRASHER 12/19/91
 APPD N. DRASHER 12/19/91
 MATERIAL HOUSING: ① CONTACT: ②
 FINISH CONTACT: ③, ⑧, ⑨, ⑩
 APPLICATION SPEC -
 WEIGHT -

AMP INCORPORATED Harrisburg, Pa. 17105
 NAME RECEPTACLE ASSEMBLY, EUROCARD, TYPE R
 SIZE D CAGE CODE 00779 DRAWING NO 650870
 SCALE 4:1 SHEET 1 OF 1