



Chipsmall Limited consists of a professional team with an average of over 10 year of expertise in the distribution of electronic components. Based in Hongkong, we have already established firm and mutual-benefit business relationships with customers from,Europe,America and south Asia,supplying obsolete and hard-to-find components to meet their specific needs.

With the principle of “Quality Parts,Customers Priority,Honest Operation,and Considerate Service”,our business mainly focus on the distribution of electronic components. Line cards we deal with include Microchip,ALPS,ROHM,Xilinx,Pulse,ON,Everlight and Freescale. Main products comprise IC,Modules,Potentiometer,IC Socket,Relay,Connector.Our parts cover such applications as commercial,industrial, and automotives areas.

We are looking forward to setting up business relationship with you and hope to provide you with the best service and solution. Let us make a better world for our industry!



Contact us

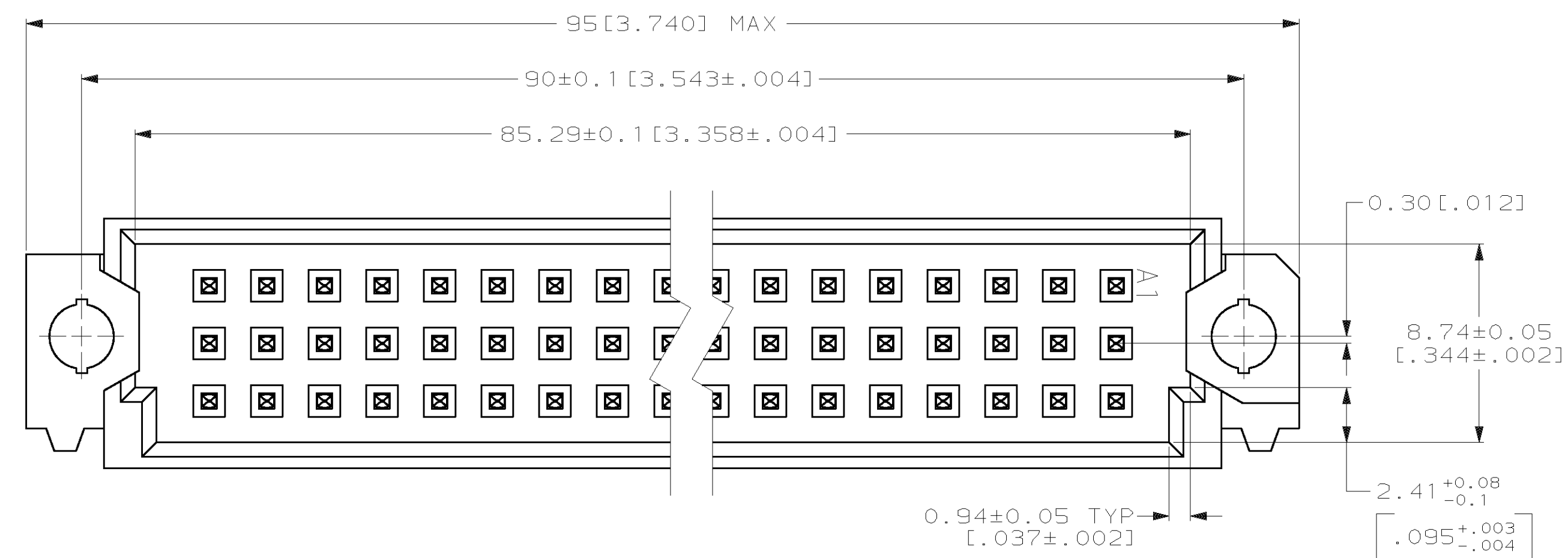
Tel: +86-755-8981 8866 Fax: +86-755-8427 6832

Email & Skype: info@chipsmall.com Web: www.chipsmall.com

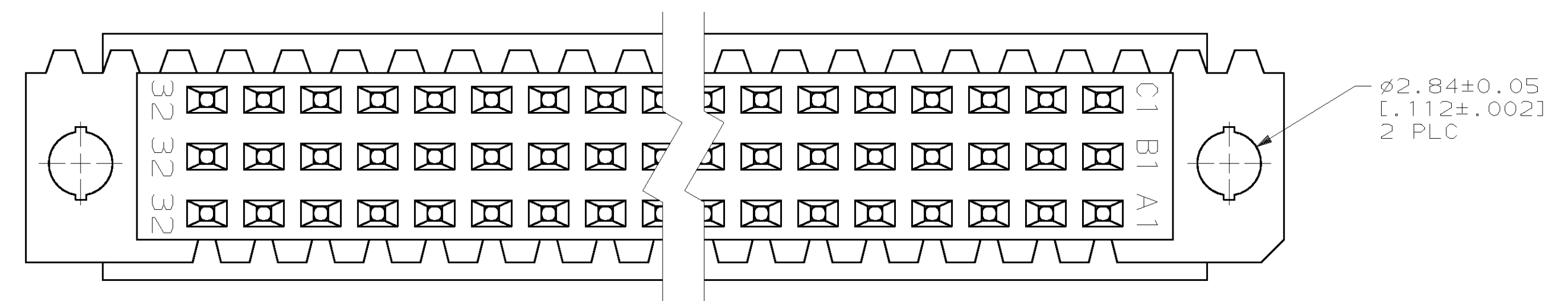
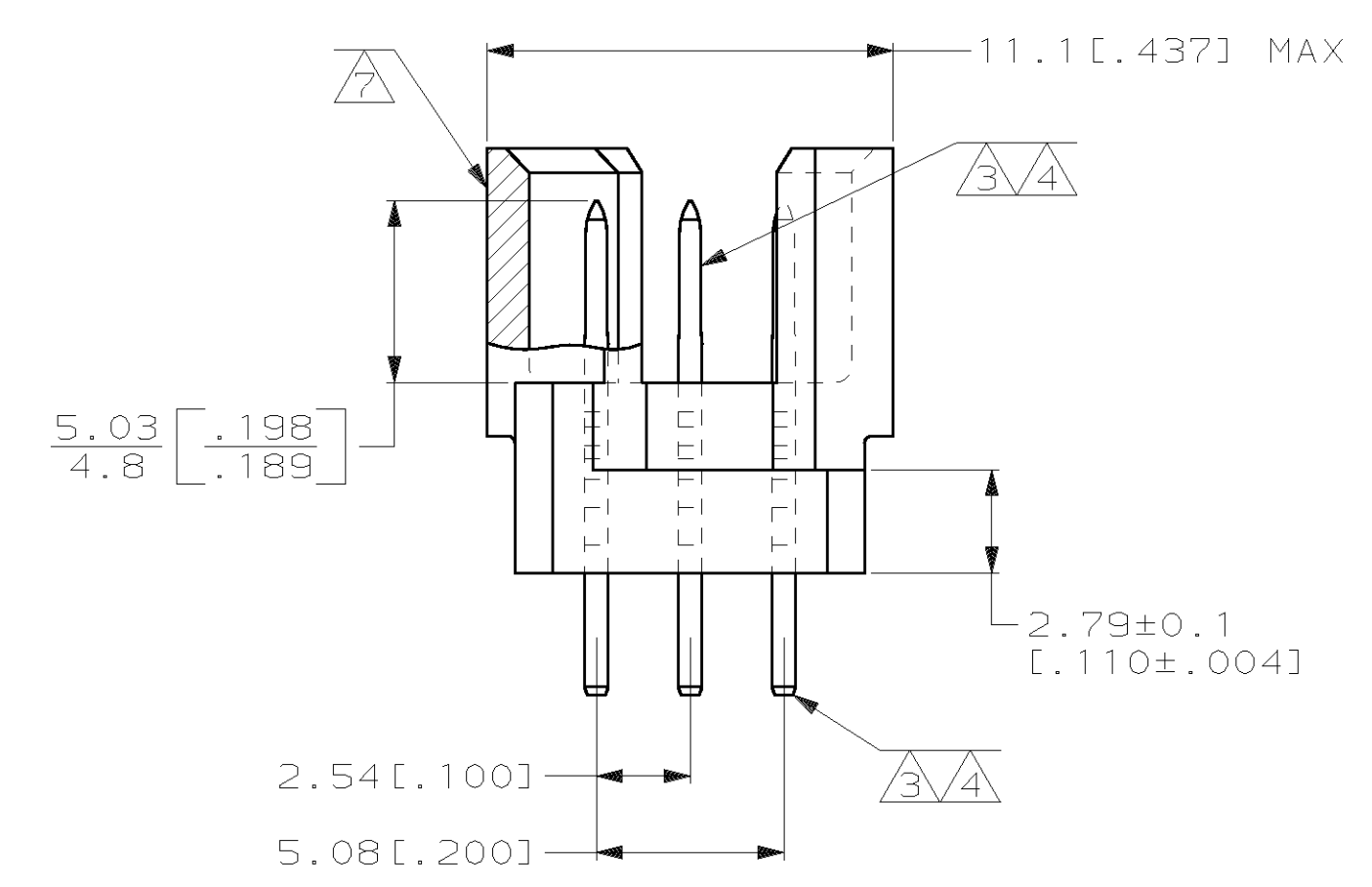
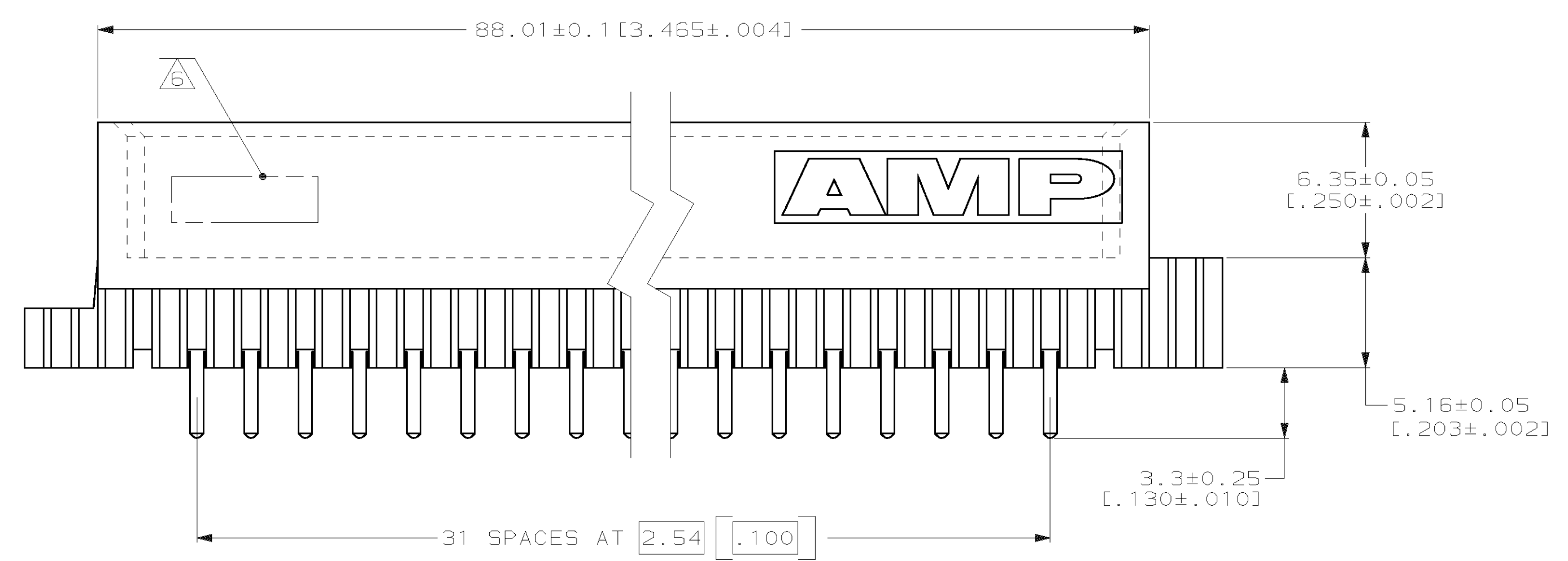
Address: A1208, Overseas Decoration Building, #122 Zhenhua RD., Futian, Shenzhen, China



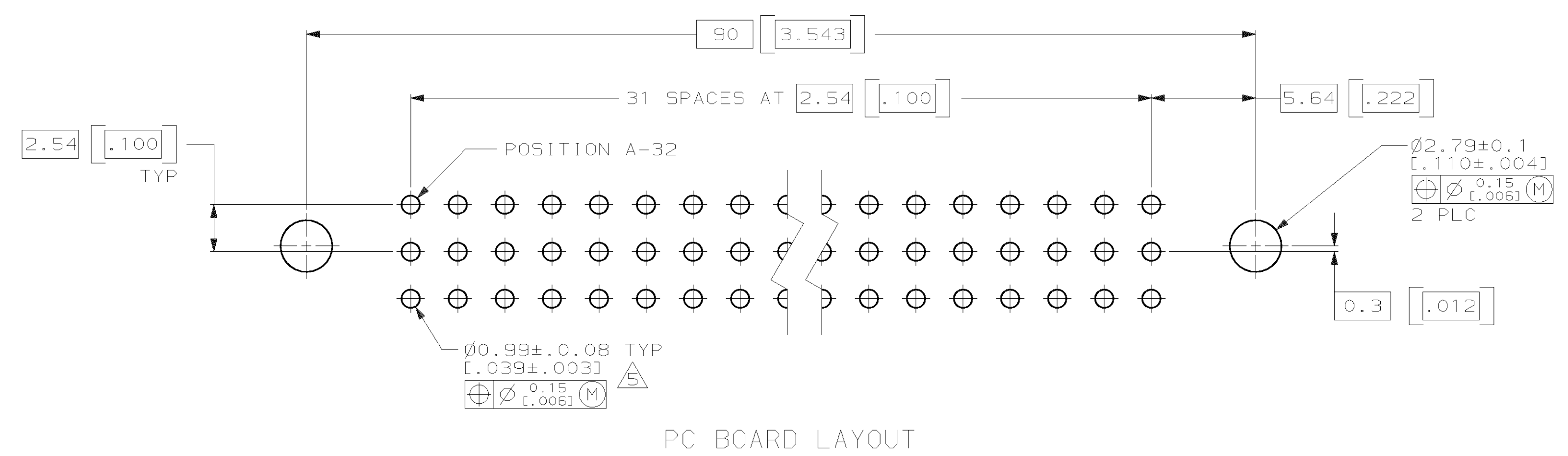
LOC	DIST	P	F	ZONE	LTR	DESCRIPTION	DATE	APPD
AD	25				F	EC 0010-1559-93	11/8/93	LSB
					G	EC 0010-0436-94	3/25/94	LSB
					H	EC 0010-0971-94	7/13/94	LSB
					J	REV PER EC 0512-0016-03	09JAN04	AS



- ① HOUSING MATERIAL: GLASS-FILLED POLYESTER. COLOR: GRAY.
- ② POST MATERIAL: BRASS.
- ③ POST FINISH: DIN 41612 CLASS 3 IN CONTACT AREA. TIN-LEAD PLATE ON POSTS.
- ④ POST FINISH: DIN 41612 CLASS 2 IN CONTACT AREA. TIN-LEAD PLATE ON POSTS.
- ⑤ RECOMMENDED HOLE SIZE FOR MANUAL APPLICATION OF CONNECTOR ONTO PC BOARD.
- ⑥ [PART NUMBER, DATE CODE] MARKED THIS APPROXIMATE AREA.
- ⑦ MARKING ON THIS SIDE.



NOTES	POSITIONS LOADED	ROWS LOADED			NO. OF LOADED POSITION	ASSY PART NUMBER
		C	B	A		
OBSOLETE						



DO NOT SCALE PRINT. UNLESS SPECIFIED DIMENSIONS IN mm [INCHES]		TOLERANCES ON:		PART NO	
1 PLC DEC	±				
2 PLC DEC	± 0.13 [.005]				
ANGLES	±				
MATERIAL		DR	L. BRINER	3/18/91	
HOUSING: ①		CHK	D.C. RUBENDALL	3/26/91	
POST: ②		APPD	D.C. RUBENDALL	3/26/91	
FINISH		APPD	K.R. PARMER	3/26/91	
POST: ③ ④		APPLICATION SPEC			
		WEIGHT			
AMP Incorporated Harrisburg, PA 17105-3608		SIZE	D	CAGE CODE	00779
PIN ASSEMBLY, EUROCARD, TYPE R		DRAWING NO	650908		
		SCALE	5:1		
		SHEET	1 OF 1		