



Chipsmall Limited consists of a professional team with an average of over 10 year of expertise in the distribution of electronic components. Based in Hongkong, we have already established firm and mutual-benefit business relationships with customers from,Europe,America and south Asia,supplying obsolete and hard-to-find components to meet their specific needs.

With the principle of “Quality Parts,Customers Priority,Honest Operation,and Considerate Service”,our business mainly focus on the distribution of electronic components. Line cards we deal with include Microchip,ALPS,ROHM,Xilinx,Pulse,ON,Everlight and Freescale. Main products comprise IC,Modules,Potentiometer,IC Socket,Relay,Connector.Our parts cover such applications as commercial,industrial, and automotives areas.

We are looking forward to setting up business relationship with you and hope to provide you with the best service and solution. Let us make a better world for our industry!



Contact us

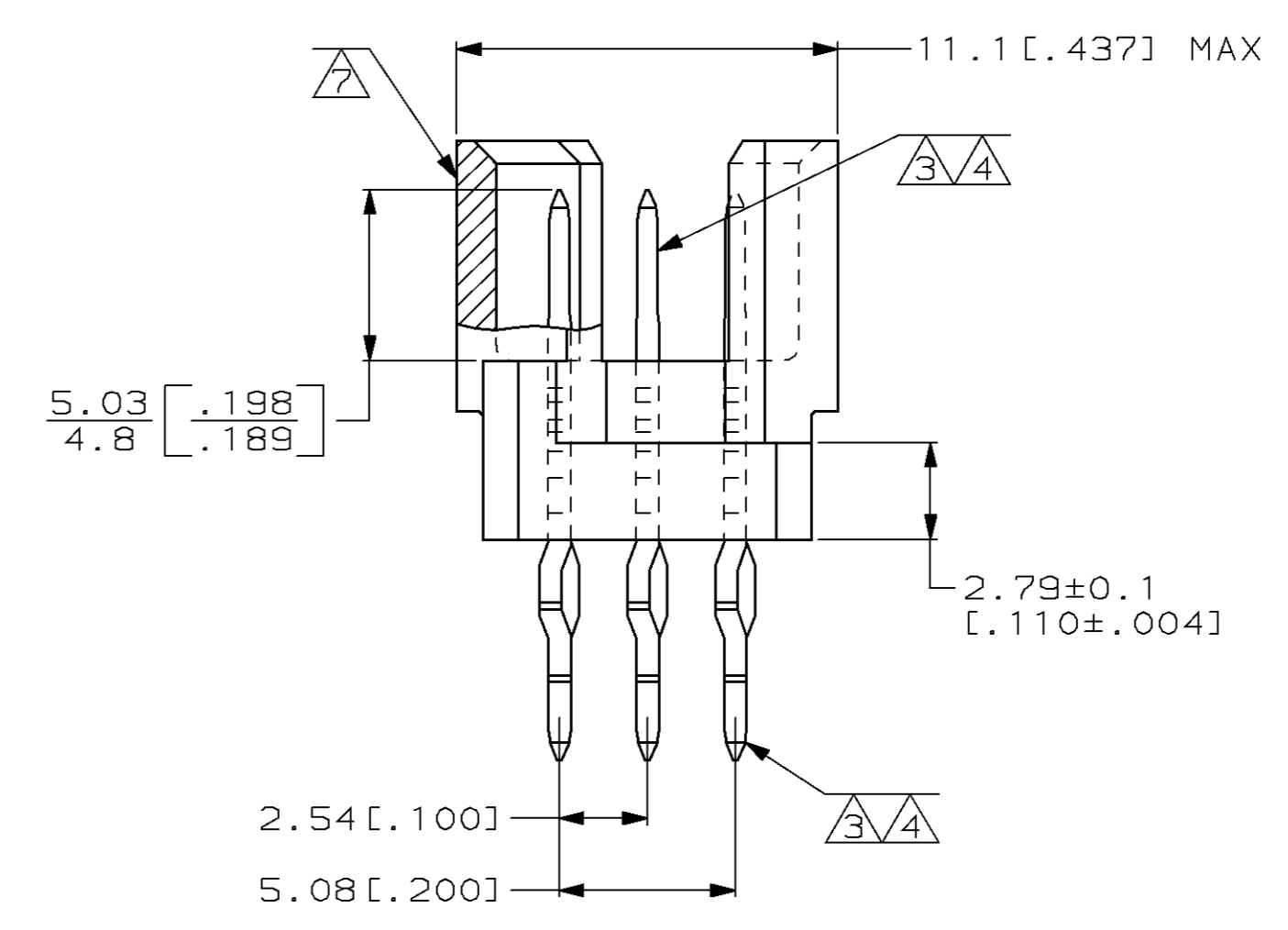
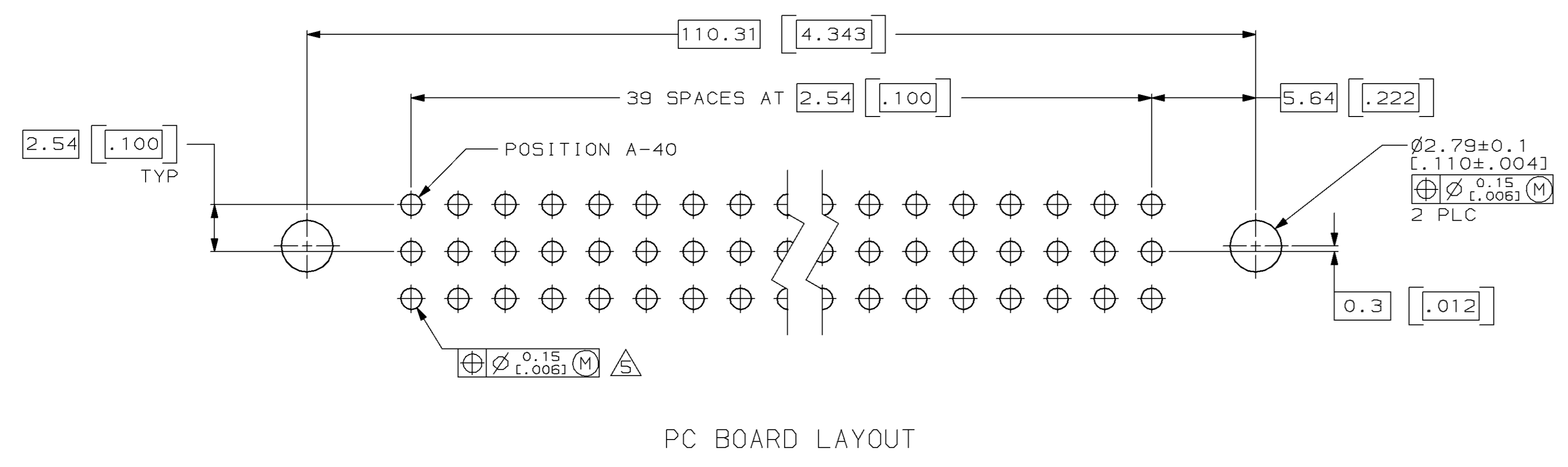
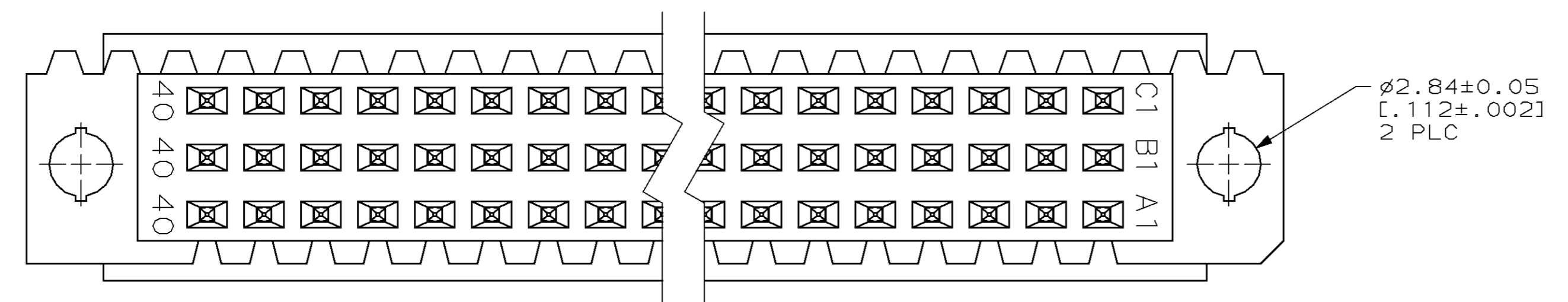
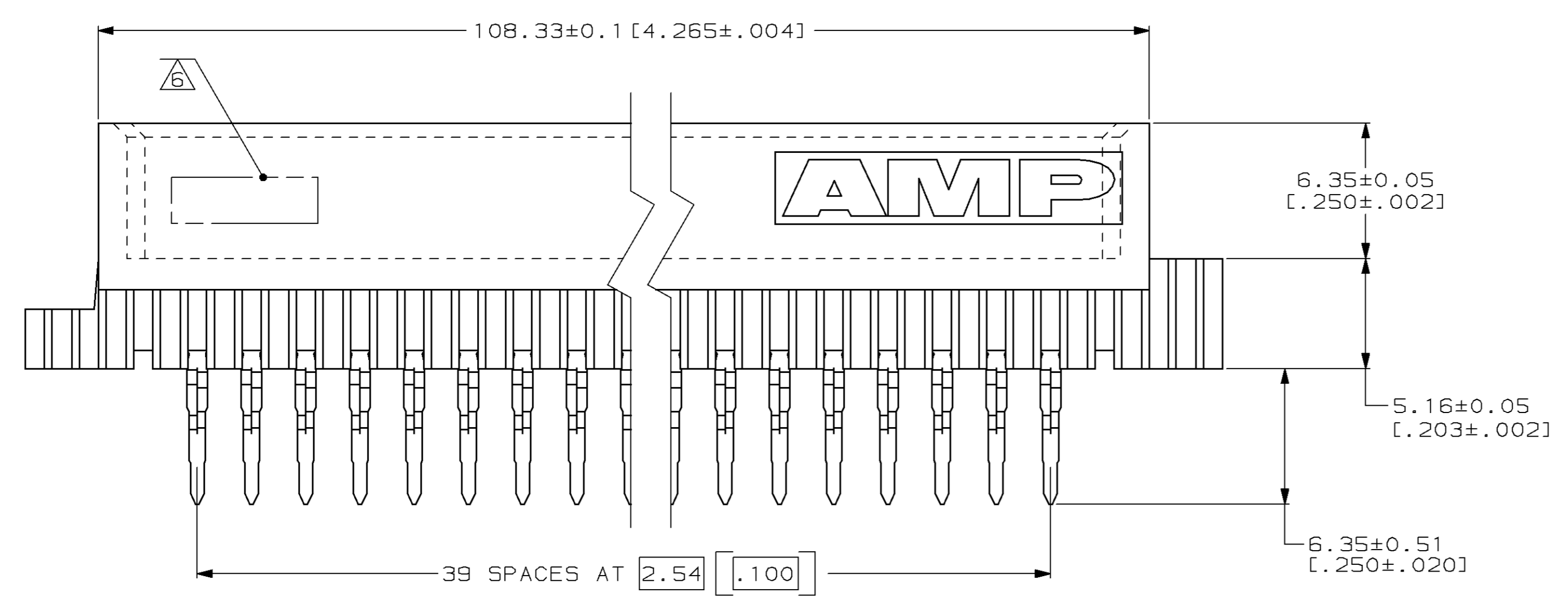
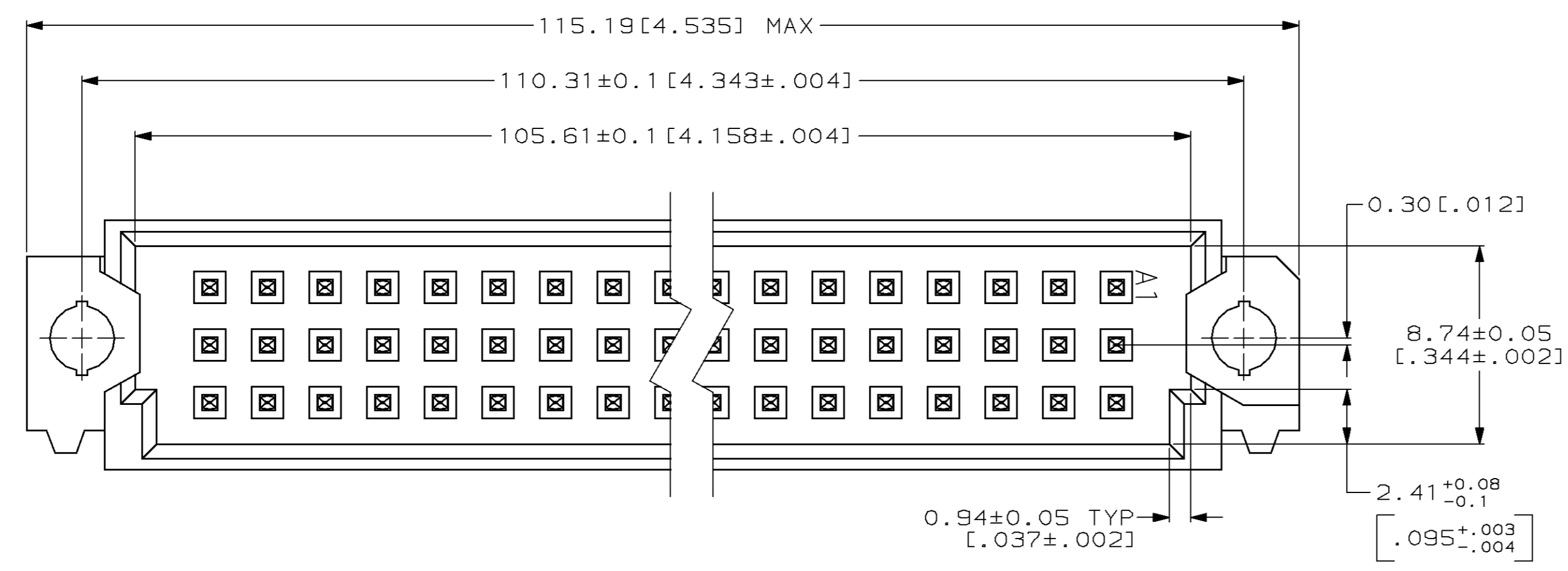
Tel: +86-755-8981 8866 Fax: +86-755-8427 6832

Email & Skype: info@chipsmall.com Web: www.chipsmall.com

Address: A1208, Overseas Decoration Building, #122 Zhenhua RD., Futian, Shenzhen, China



| LOC | | DIST | | P | | F | | ZONE | | LTR | | REVISIONS | | |
|-----|----|------|--|---|--|---|--|------|--|-----|--|-------------------|----------|------|
| AD | 25 | | | | | | | | | | | DESCRIPTION | DATE | APPD |
| | | | | | | | | | | | | H EC 0504-0087-96 | 11/18/96 | CR |



- △ HOUSING MATERIAL: GLASS-FILLED POLYESTER. COLOR: GRAY.
- △ POST MATERIAL: PHOSPHOR BRONZE.
- △ POST FINISH: DIN 41612 CLASS 3 IN CONTACT AREA. TIN-LEAD PLATE ON POSTS.
- △ POST FINISH: DIN 41612 CLASS 2 IN CONTACT AREA. TIN-LEAD PLATE ON POSTS.
- △ ACTION PIN POSTS REQUIRE 2.36 [0.093] MINIMUM THICK PC BOARD. RECOMMENDED PC BOARD HOLES ARE 1.151 [0.0453] DIA PLATED THROUGH WITH 0.02-0.08 [0.001-.003] COPPER AND 0.008 [0.0003] MINIMUM TIN-LEAD PLATING. FINISHED HOLE AFTER PLATING, 0.94-1.09 [0.037-.043] DIA.
- △ [PART NUMBER, DATE CODE] MARKED THIS APPROXIMATE AREA.
- △ MARKING ON THIS SIDE.

SUPERSEDED BY 650921-5

| NOTES | POSITIONS LOADED | C | B | A | NO. OF LOADED POSITION | ASSY PART NUMBER |
|-------|------------------|---|---|---|------------------------|------------------|
| | 1-40 | X | X | X | 120 | 650921-9 |
| | 1-40 | X | X | X | 120 | 650921-5 |

| DO NOT SCALE PRINT. UNLESS SPECIFIED DIMENSIONS IN mm [INCHES] TOLERANCES ON: | | PART NO | |
|---|---------|--|-----------|
| 1 PLC DEC ± - | 3/18/91 | AMP AMP Incorporated Harrisburg, PA 17105-3608 | |
| 2 PLC DEC ± 0.13 [0.005] | 3/26/91 | NAME | |
| ANGLES ± - | 3/26/91 | PIN ASSEMBLY, EUROCARD, TYPE "R" | |
| MATERIAL | 3/26/91 | SIZE | CAGE CODE |
| HOUSING: △ | | D | 00779 |
| POST: △ | | DRAWING NO | 650921 |
| FINISH | | SCALE | 5:1 |
| POST: △/△ | | WEIGHT | - |
| | | SHEET | 1 OF 1 |