



Chipsmall Limited consists of a professional team with an average of over 10 year of expertise in the distribution of electronic components. Based in Hongkong, we have already established firm and mutual-benefit business relationships with customers from,Europe,America and south Asia,supplying obsolete and hard-to-find components to meet their specific needs.

With the principle of “Quality Parts,Customers Priority,Honest Operation,and Considerate Service”,our business mainly focus on the distribution of electronic components. Line cards we deal with include Microchip,ALPS,ROHM,Xilinx,Pulse,ON,Everlight and Freescale. Main products comprise IC,Modules,Potentiometer,IC Socket,Relay,Connector.Our parts cover such applications as commercial,industrial, and automotives areas.

We are looking forward to setting up business relationship with you and hope to provide you with the best service and solution. Let us make a better world for our industry!



## Contact us

Tel: +86-755-8981 8866 Fax: +86-755-8427 6832

Email & Skype: info@chipsmall.com Web: www.chipsmall.com

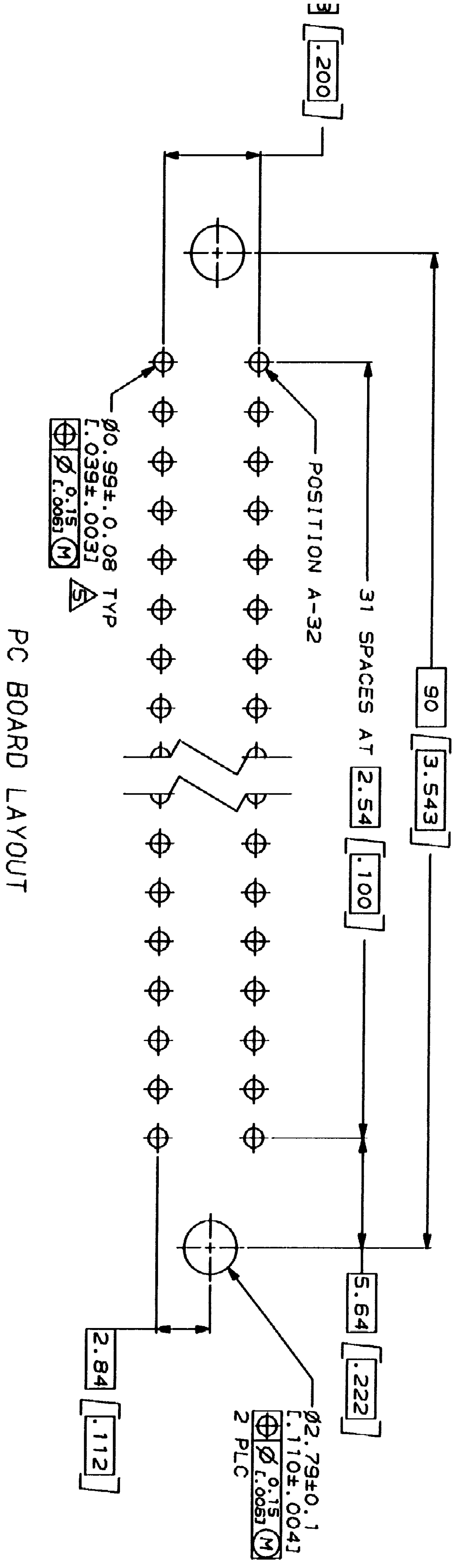
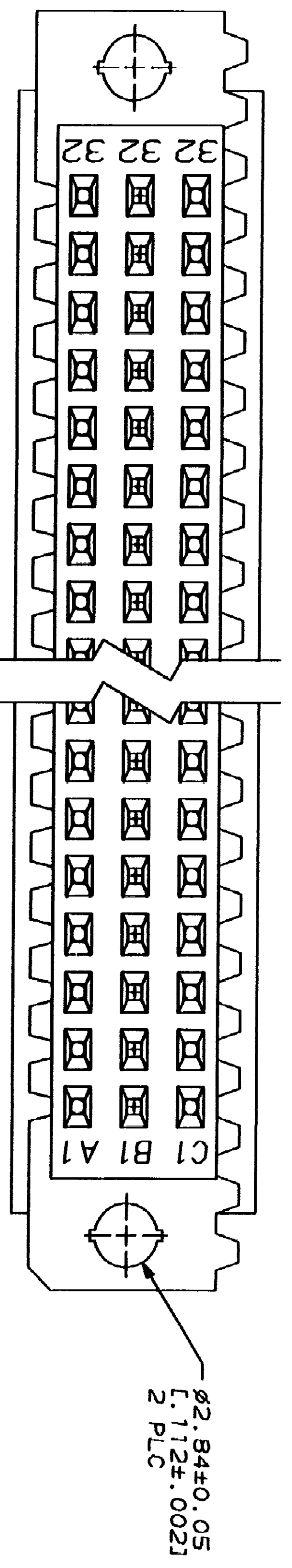
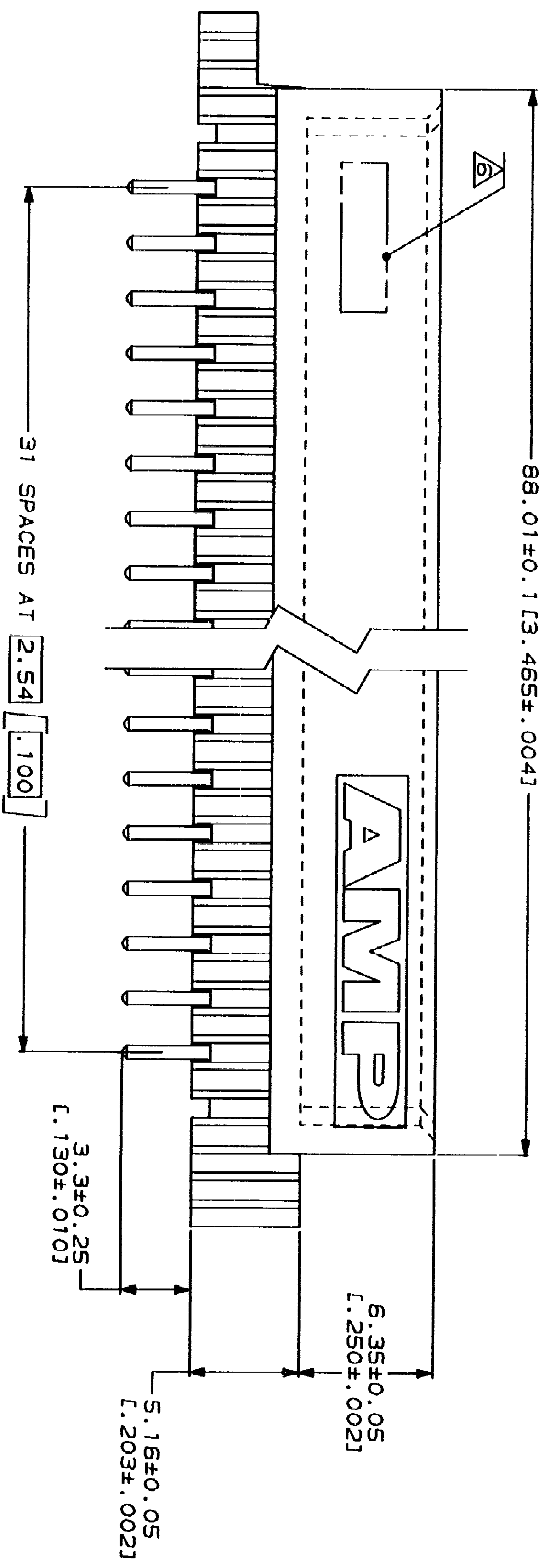
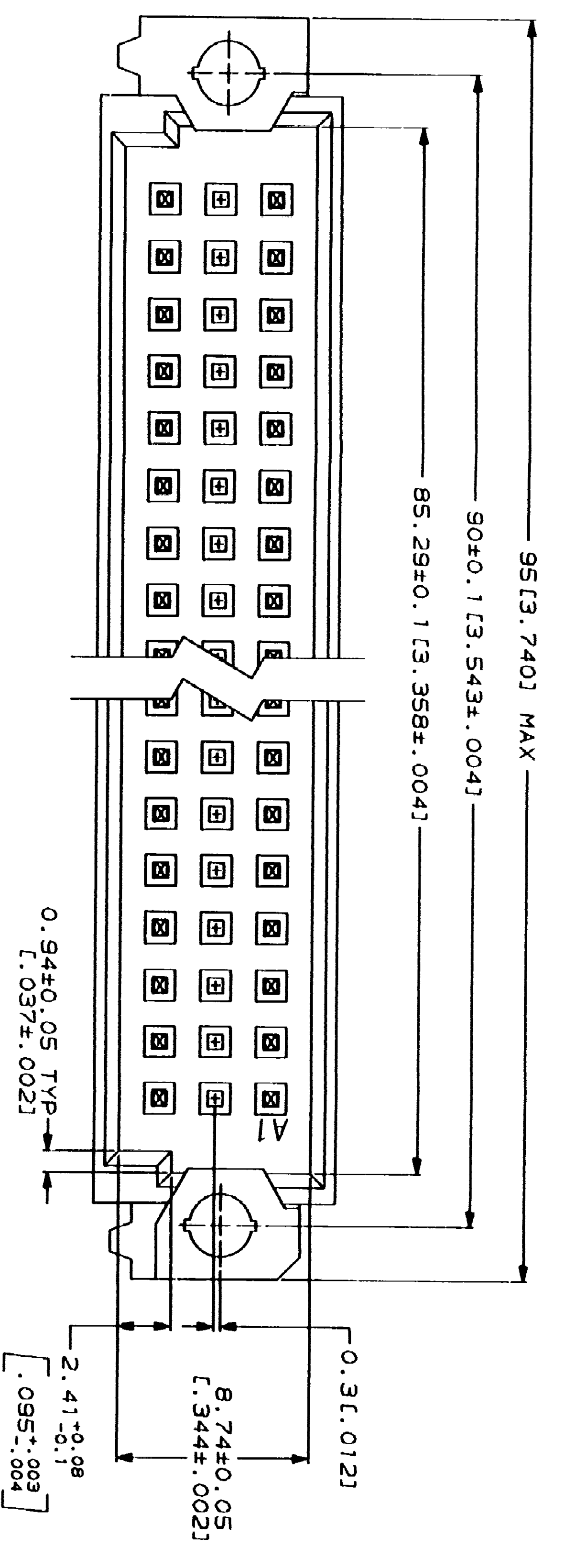
Address: A1208, Overseas Decoration Building, #122 Zhenhua RD., Futian, Shenzhen, China





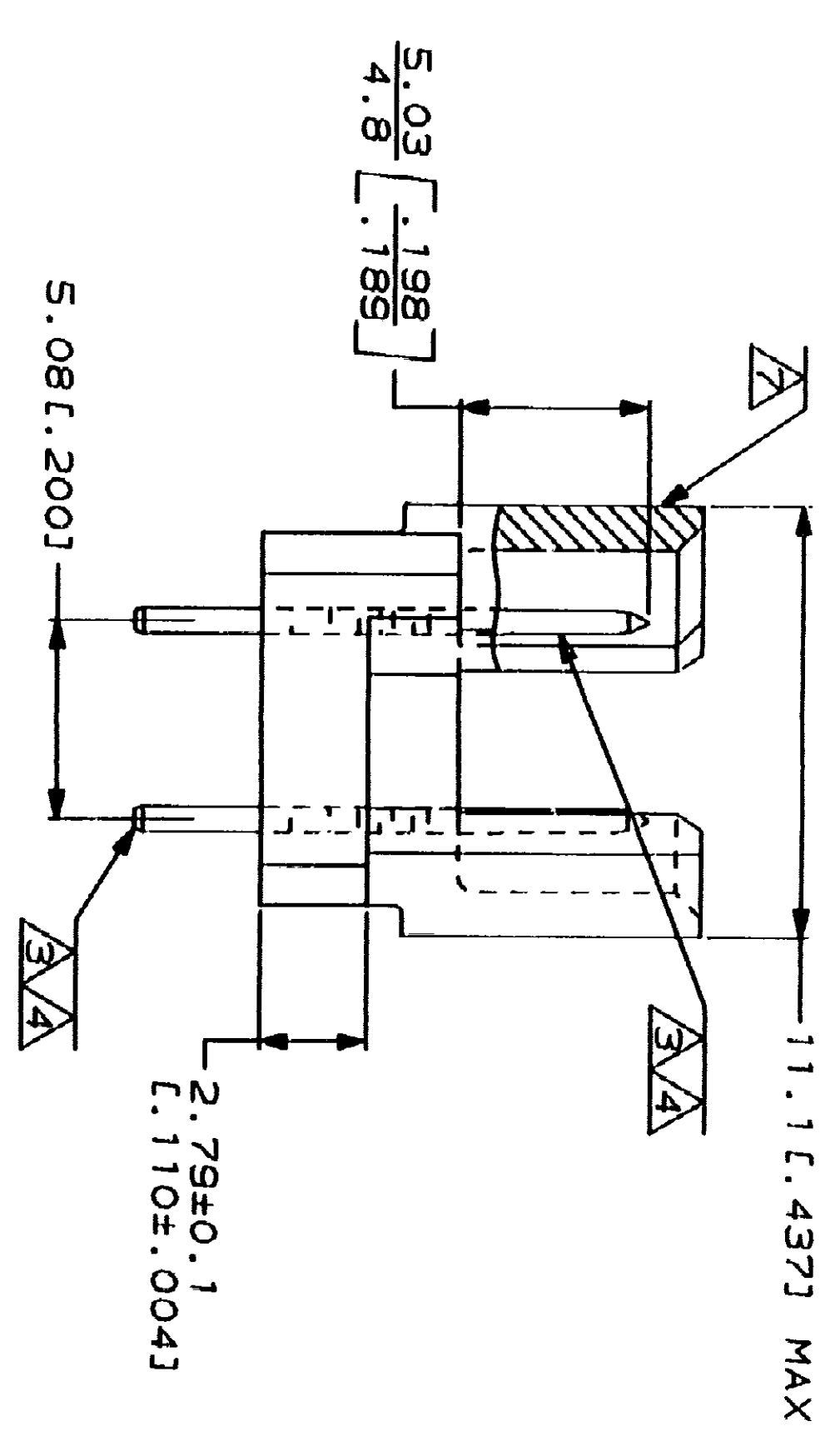
DATE	APPD
6/10/91	LSB
11/14/91	LSB
12/26/91	LSB
6/2/92	LSB
11/2/93	LSB
3/25/94	LSB

PROJECTION  
 RELEASED FOR PUBLICATION  
 BY AMP CORPORATION. ALL INFORMATION BEING FURNISHED.



REV	DATE	BY	DESCRIPTION
0			DRAWN
B			ECN AD5586, AD5640
C			ECN AD5676
D			ECN AD5671
E			ECN AD6256
F			EC 0010-1559-93
G			EC 0010-0436-94

- △ HOUSING MATERIAL: GLASS-FILLED POLYESTER. COLOR: GRAY.
- △ POST MATERIAL: BRASS.
- △ POST FINISH: DIN 41612 CLASS 3 IN CONTACT AREA.
- △ TIN-LEAD PLATE ON POSTS.
- △ POST FINISH: DIN 41612 CLASS 2 IN CONTACT AREA.
- △ TIN-LEAD PLATE ON POSTS.
- △ RECOMMENDED HOLE SIZE FOR MANUAL APPLICATION OF CONNECTOR ONTO PC BOARD.
- △ [PART NUMBER, DATE CODE] MARKED THIS APPROXIMATE AREA.
- △ MARKING ON THIS SIDE.



SUPERSEDED BY 650933-5

REV	DATE	BY	DESCRIPTION
A	1-32		X - X X 64
			X - X X 64

NOTES: POSITIONS LOADED, ROWS LOADED, NO. OF POSITIONS, ASS

DO NOT SCALE PRINT.	OR	DATE	NAME
UNLESS SPECIFIED (DIMENSIONS IN MILLIMETERS)	L. BRINER	3/18/91	AMP
1 P.L.C. DEC ± .0131 (0.0051)	D.C. RUBENDALL	3/26/91	AMP
2 P.L.C. DEC ± 0.131 (0.0051)	D.C. RUBENDALL	3/26/91	AMP
MATERIAL HSG	K.R. PARTNER	3/26/91	AMP
POST			
FINISH			
POST			

PIN ASSEMBLY, EURC TYPE "R"

AMP AMP Incorporated, Harrisburg, PA

SIZE: D 00779 DRAWING NO: 650  
 SCALE: 5:1 SHEET

650933-5 1 OF 1  
 DRAWING  
 CUSTOMER