



Chipsmall Limited consists of a professional team with an average of over 10 year of expertise in the distribution of electronic components. Based in Hongkong, we have already established firm and mutual-benefit business relationships with customers from,Europe,America and south Asia,supplying obsolete and hard-to-find components to meet their specific needs.

With the principle of “Quality Parts,Customers Priority,Honest Operation,and Considerate Service”,our business mainly focus on the distribution of electronic components. Line cards we deal with include Microchip,ALPS,ROHM,Xilinx,Pulse,ON,Everlight and Freescale. Main products comprise IC,Modules,Potentiometer,IC Socket,Relay,Connector.Our parts cover such applications as commercial,industrial, and automotives areas.

We are looking forward to setting up business relationship with you and hope to provide you with the best service and solution. Let us make a better world for our industry!



Contact us

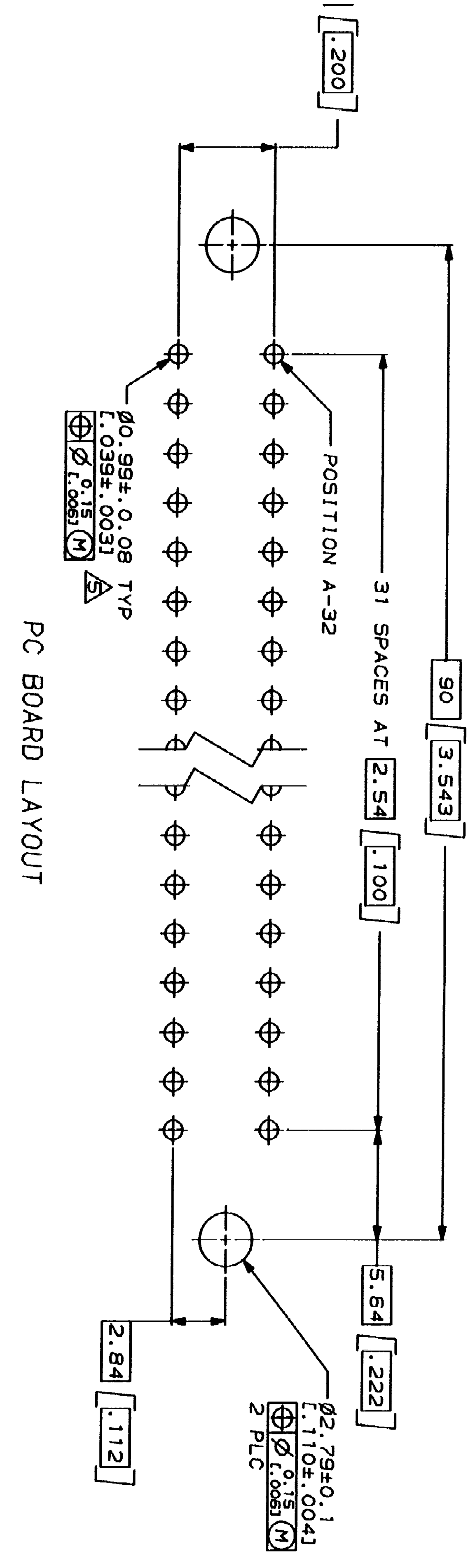
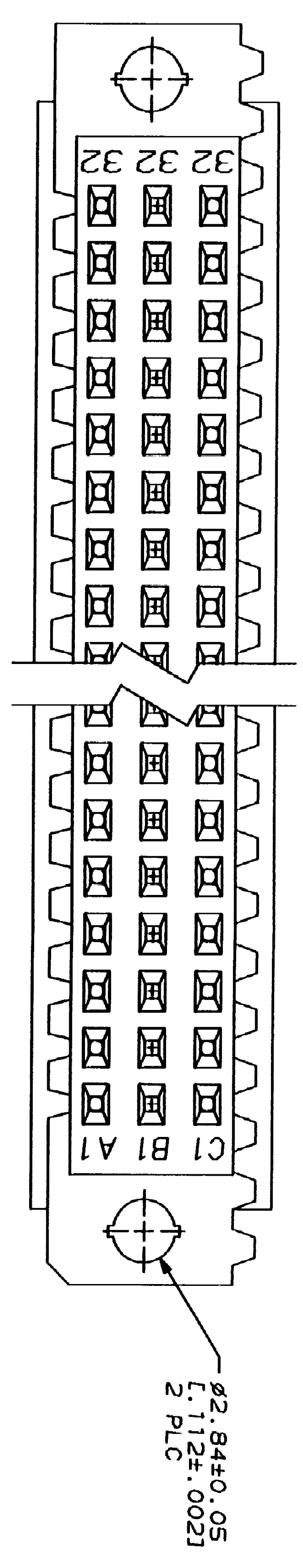
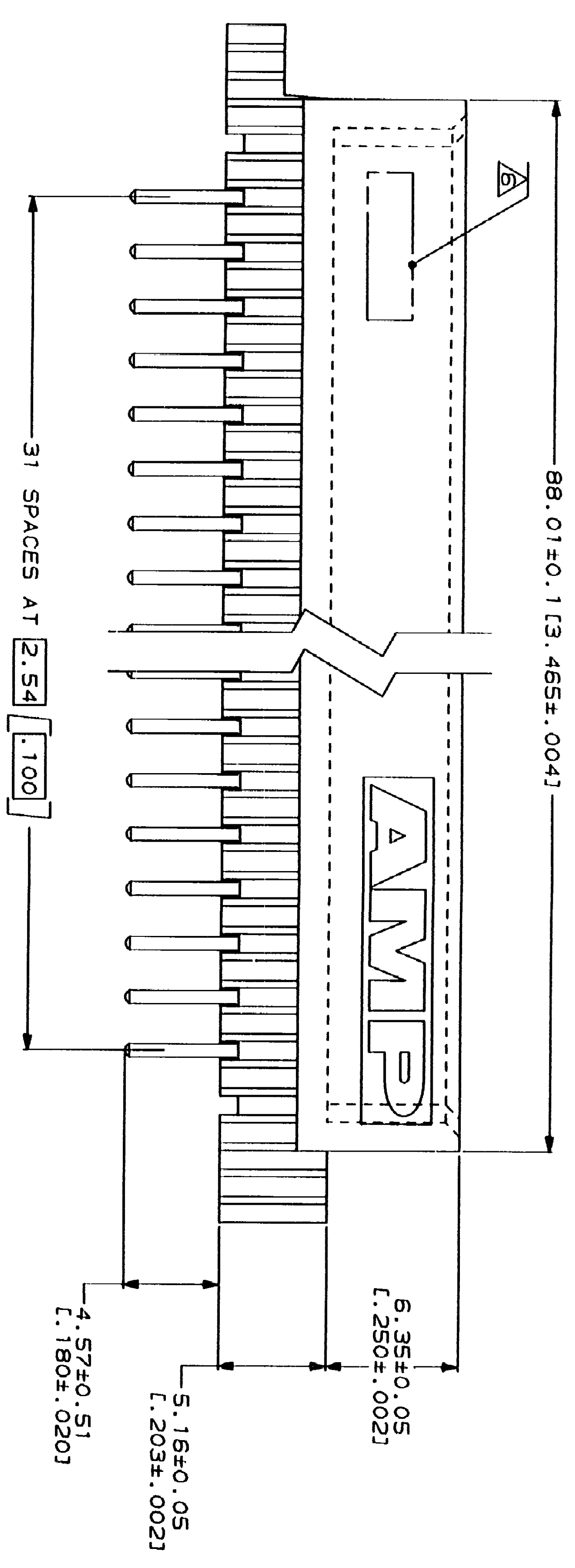
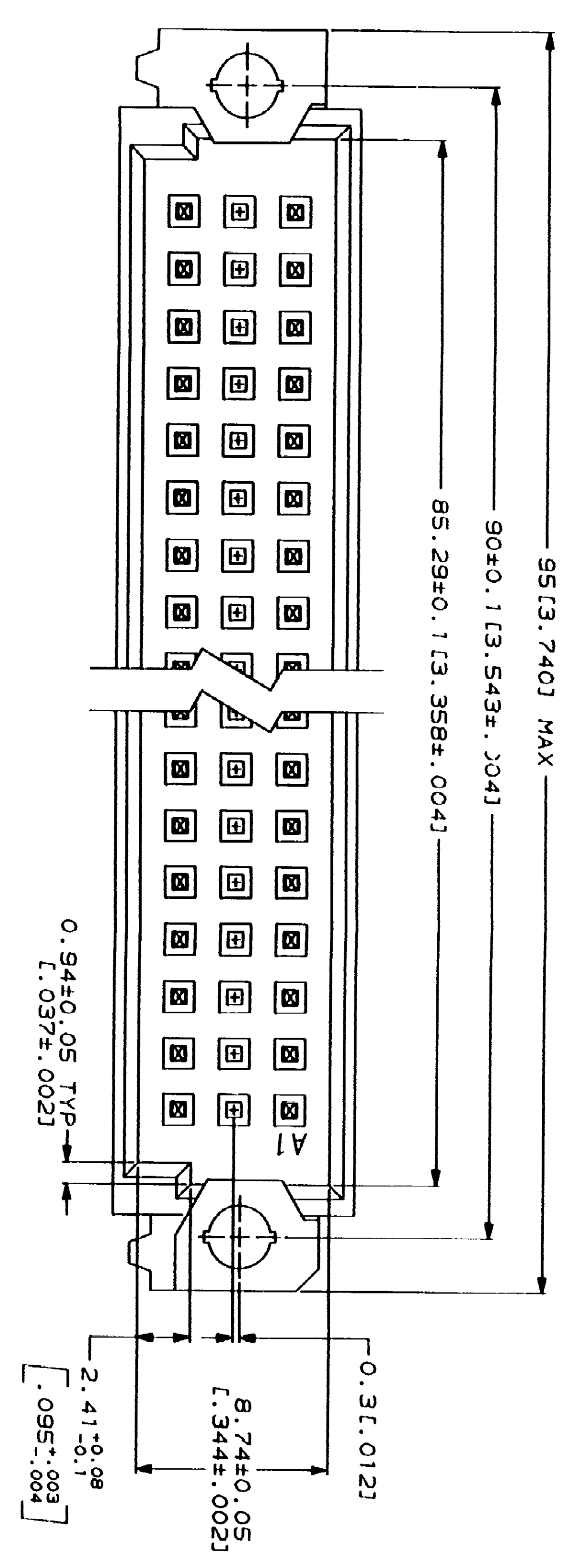
Tel: +86-755-8981 8866 Fax: +86-755-8427 6832

Email & Skype: info@chipsmall.com Web: www.chipsmall.com

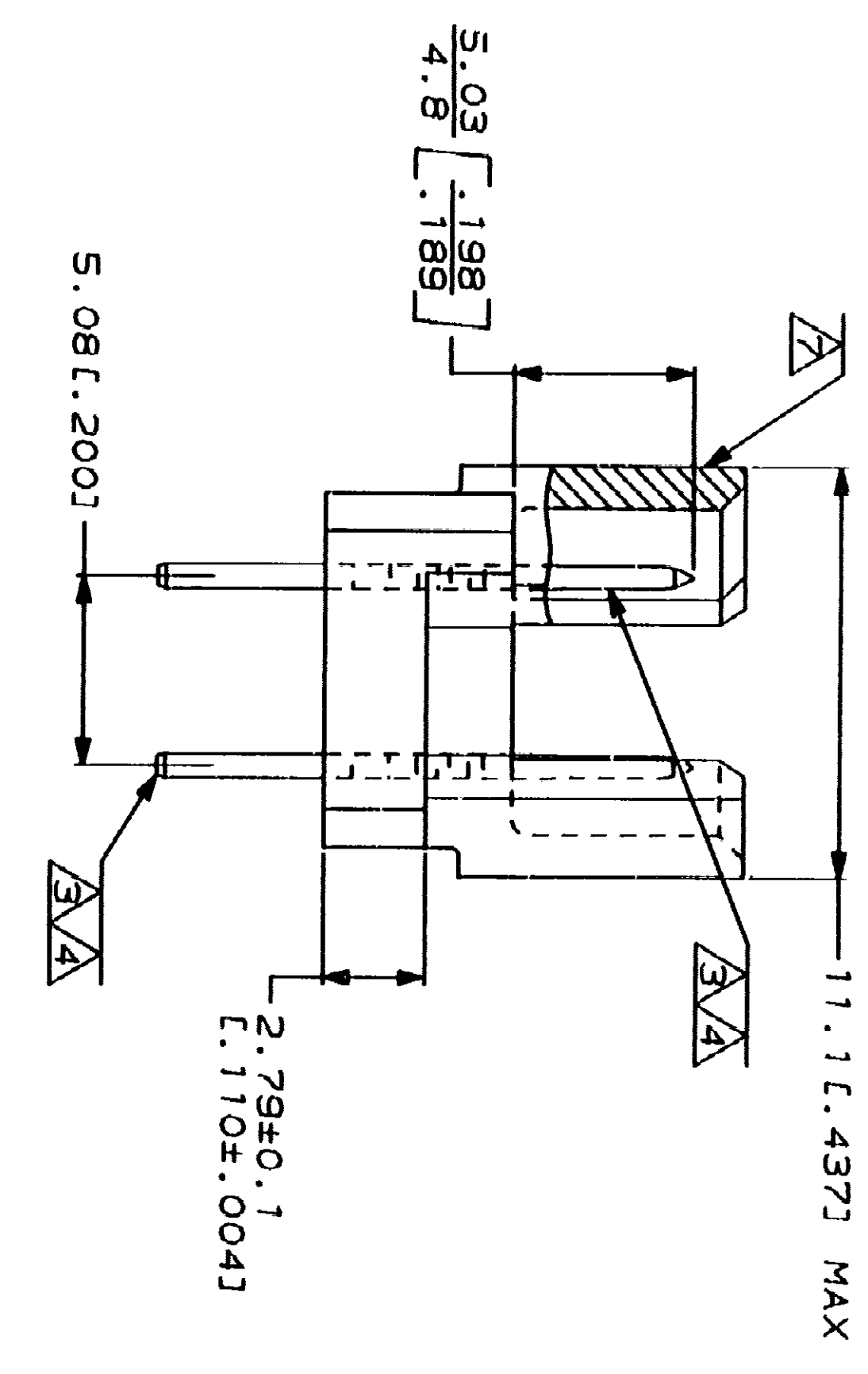
Address: A1208, Overseas Decoration Building, #122 Zhenhua RD., Futian, Shenzhen, China



DATE	APPD	REV	DESCRIPTION
11/14/91	LSB	0	DRAWN
12/26/91	LSB	B	ECN A055961 A05640
6/25/92	LSB	C	ECN A05876
11/06/93	LSB	D	ECN A05871
9/26/94	LSB	E	ECN A06256
		F	EC 0010-1559-93
		G	EC 0010-0436-94



- △ HOUSING MATERIAL: GLASS-FILLED POLYESTER. COLOR: GRAY
- △ POST MATERIAL: BRASS.
- △ POST FINISH: DIN 41612 CLASS 3 IN CONTACT AREA.
- △ TIN-LEAD PLATE ON POSTS.
- △ POST FINISH: DIN 41612 CLASS 2 IN CONTACT AREA.
- △ TIN-LEAD PLATE ON POSTS.
- △ RECOMMENDED HOLE SIZE FOR MANUAL APPLICATION OF CONNECTOR ONTO PC BOARD.
- △ [PART NUMBER] [DATE CODE] MARKED THIS APPROXIMATE AREA.
- △ MARKING ON THIS SIDE.



SUPERSEDED BY 550934-5

REV	DATE	DESCRIPTION	BY	CHKD
1-32				
1-32				

NOTES: POSITIONS LOADED, ROWS LOADED, NO. OF POSITIONS, ASSY

DR	DATE	NAME
L. BRINER	3/18/91	
C.K. RUBENDALL	3/26/91	
D.C. RUBENDALL	3/26/91	
K.R. PARKER	3/26/91	

DC NOT SCALE PRINT. DIMENSIONS GIVEN IN INCHES. DIMENSIONS IN PARENTHESES ARE TOLERANCES IN MILLIMETERS.

1 P.L.C. DEC # -
2 P.L.C. DEC # 0.131 (005)

HOUSING: △
POST: △

FINISH: △
POST: △

AMP INCORPORATED
 HARRISBURG, PA

PIN ASSEMBLY, EURO TYPE "R"

SIZE	CAGE CODE	DRAWING NO.
D	00779	6501

SCALE: 5:1

WEIGHT: -