



Chipsmall Limited consists of a professional team with an average of over 10 year of expertise in the distribution of electronic components. Based in Hongkong, we have already established firm and mutual-benefit business relationships with customers from,Europe,America and south Asia,supplying obsolete and hard-to-find components to meet their specific needs.

With the principle of “Quality Parts,Customers Priority,Honest Operation,and Considerate Service”,our business mainly focus on the distribution of electronic components. Line cards we deal with include Microchip,ALPS,ROHM,Xilinx,Pulse,ON,Everlight and Freescale. Main products comprise IC,Modules,Potentiometer,IC Socket,Relay,Connector.Our parts cover such applications as commercial,industrial, and automotives areas.

We are looking forward to setting up business relationship with you and hope to provide you with the best service and solution. Let us make a better world for our industry!



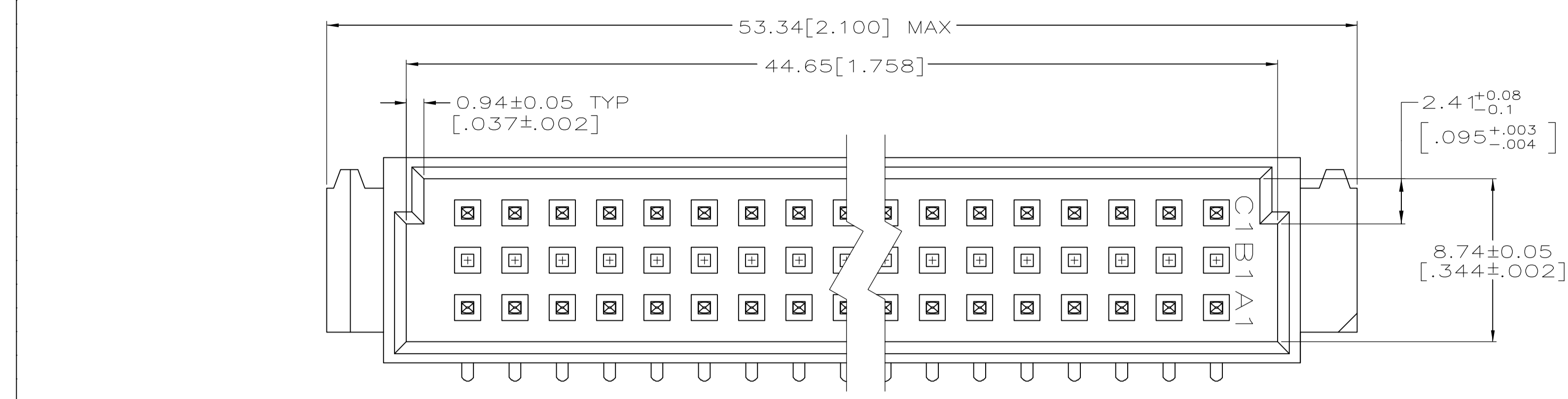
Contact us

Tel: +86-755-8981 8866 Fax: +86-755-8427 6832

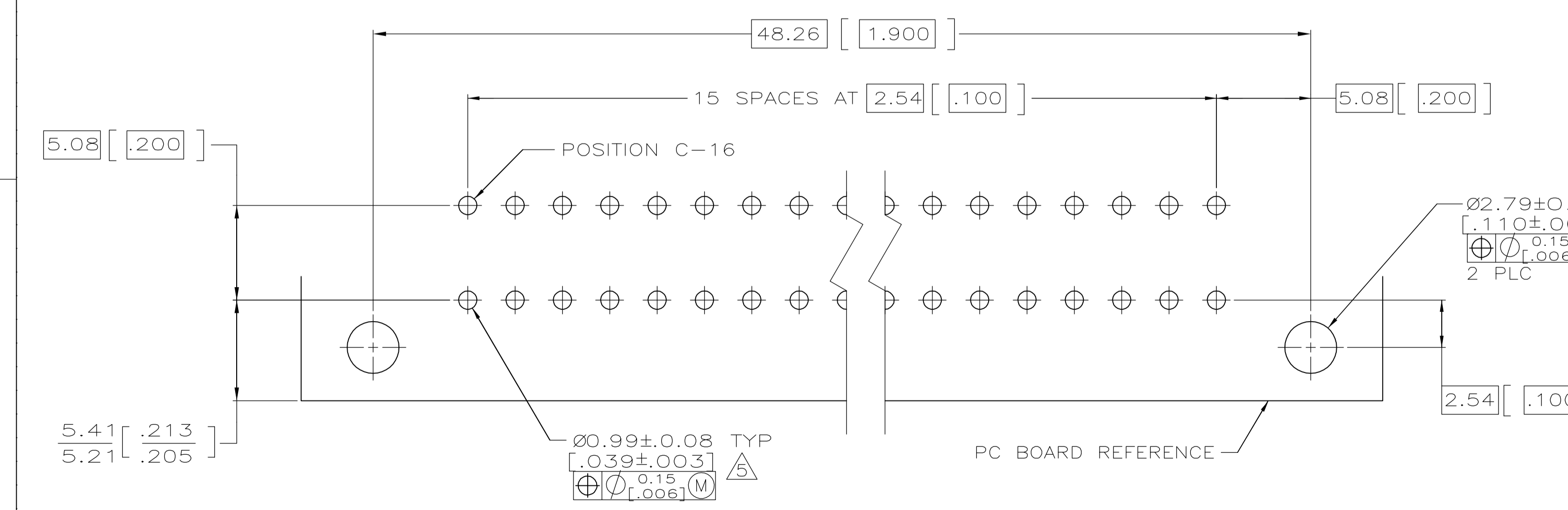
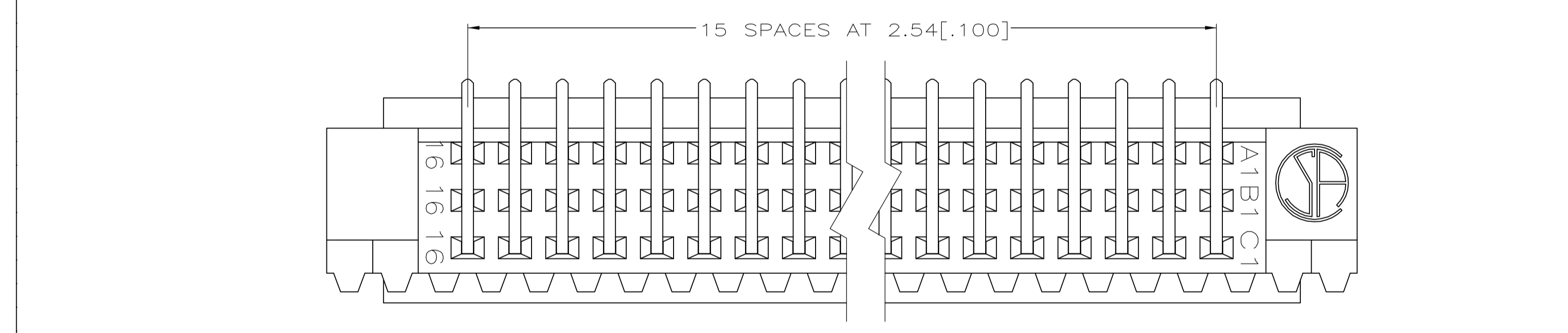
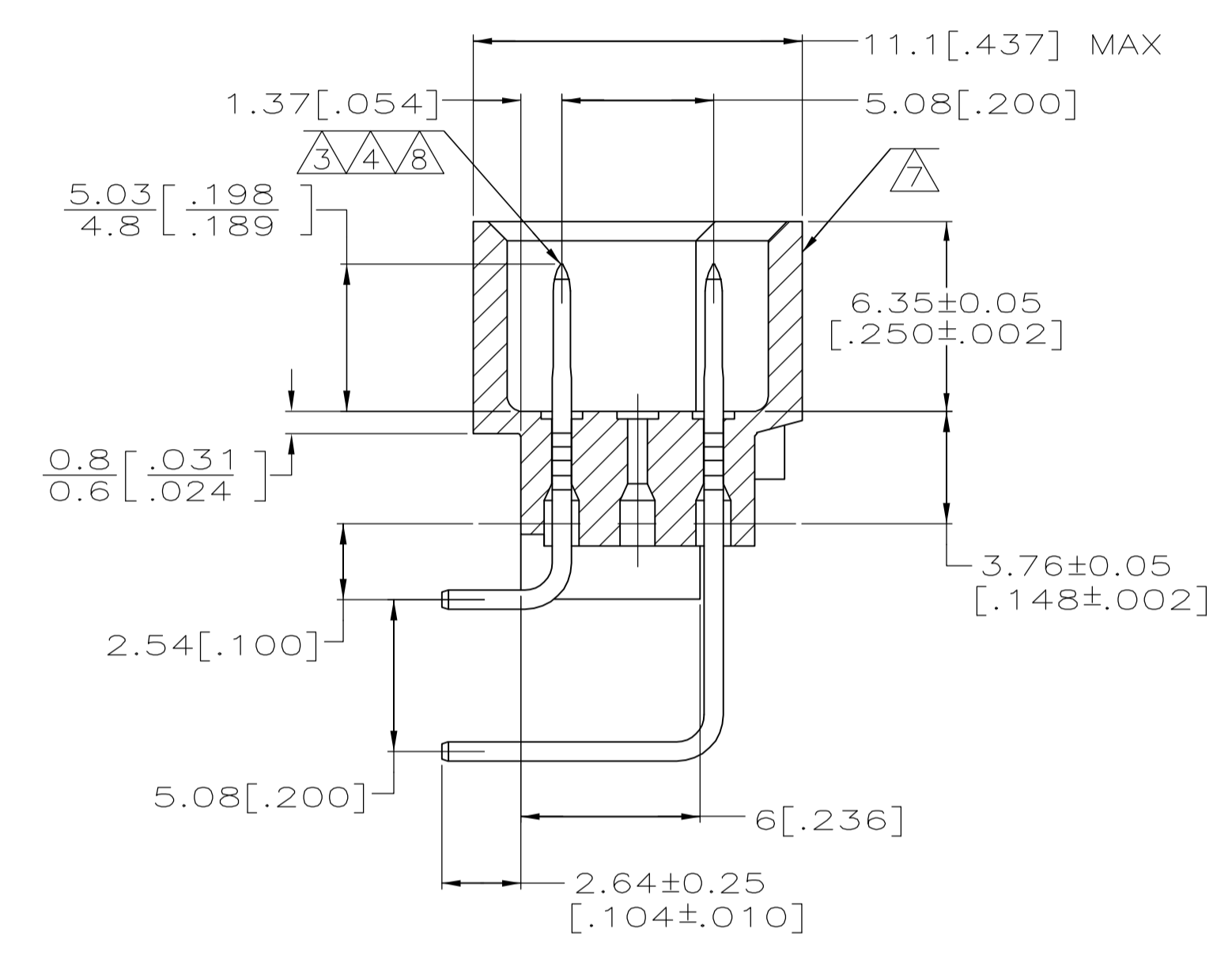
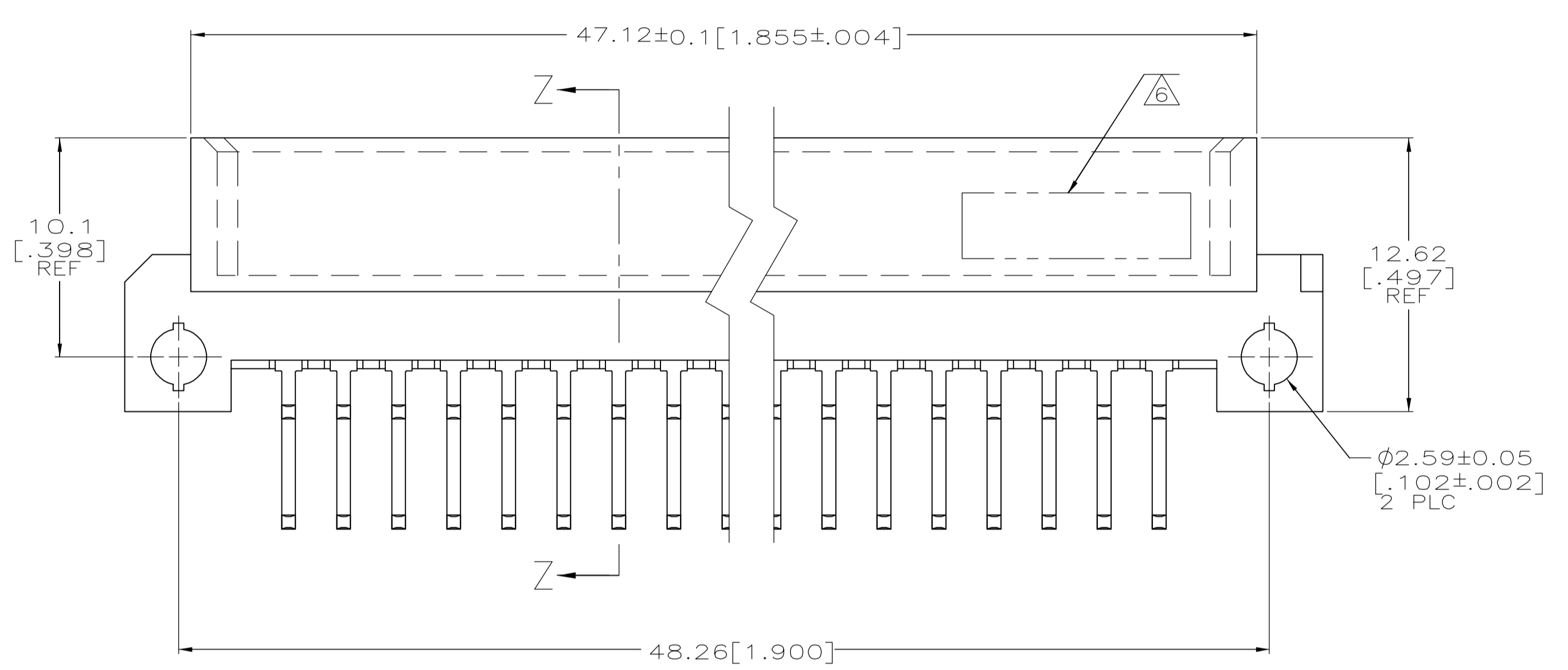
Email & Skype: info@chipsmall.com Web: www.chipsmall.com

Address: A1208, Overseas Decoration Building, #122 Zhenhua RD., Futian, Shenzhen, China





- ① HOUSING MATERIAL: GLASS-FILLED POLYESTER. COLOR: GRAY.
- ② POST MATERIAL: BRASS.
- ③ POST FINISH: DIN 41612 CLASS 3 IN CONTACT AREA. TIN-LEAD PLATE ON POSTS.
- ④ POST FINISH: DIN 41612 CLASS 2 IN CONTACT AREA. TIN-LEAD PLATE ON POSTS.
- ⑤ RECOMMENDED HOLE SIZE FOR MANUAL APPLICATION OF CONNECTOR ONTO PC BOARD.
- ⑥ [PART NUMBER, DATE CODE] MARKED THIS APPROXIMATE AREA.
- ⑦ MARKING ON THIS SIDE.
- ⑧ POST FINISH: DIN 41612 CLASS 2 IN CONTACT AREA. TIN PLATE ON POSTS.



OBsolete	⑧	1-16	X	-	X	32	7-650946-5
SUPERSEDED BY 650946-5	③	1-16	X	-	X	32	650946-9
	④	1-16	X	-	X	32	650946-5
NOTES		POSITIONS LOADED	C	B	A	NO. OF LOADED POSITION	ASSY PART NUMBER

THIS DRAWING IS A CONTROLLED DOCUMENT.		DWG	L. BRINER	3/20/91	Tyco Electronics Corporation Harrisburg, PA 17105-3608		
DIMENSIONS: mm		CHK	D.C. RUBENDALL	3/22/91	PIN ASSEMBLY, EUROCARD, TYPE 1/2C		
TOLERANCES UNLESS OTHERWISE SPECIFIED:		APP'D	D. RUBENDALL	5/26/92	RESTRICTED TO		
0 PLC	± -	PRODUCT SPEC		SIZE			
1 PLC	± -	APPLICATION SPEC		WEIGHT			
2 PLC	± -	MATERIAL		CUSTOMER DRAWING			
3 PLC	± 0.13 [.005]	FINISH		SCALE 5:1 SHEET 1 OF 1 REV J			
4 PLC	± -	MARKING		A1 00779 C=650946			
ANGLES	± -						