



Chipsmall Limited consists of a professional team with an average of over 10 year of expertise in the distribution of electronic components. Based in Hongkong, we have already established firm and mutual-benefit business relationships with customers from,Europe,America and south Asia,supplying obsolete and hard-to-find components to meet their specific needs.

With the principle of “Quality Parts,Customers Priority,Honest Operation,and Considerate Service”,our business mainly focus on the distribution of electronic components. Line cards we deal with include Microchip,ALPS,ROHM,Xilinx,Pulse,ON,Everlight and Freescale. Main products comprise IC,Modules,Potentiometer,IC Socket,Relay,Connector.Our parts cover such applications as commercial,industrial, and automotives areas.

We are looking forward to setting up business relationship with you and hope to provide you with the best service and solution. Let us make a better world for our industry!



## Contact us

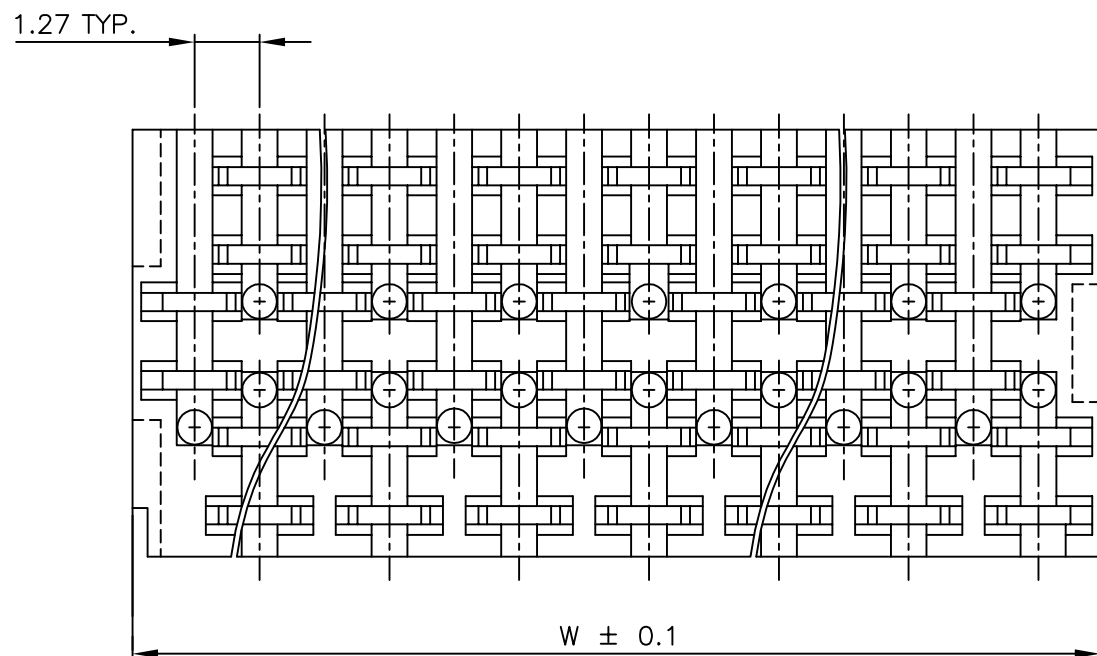
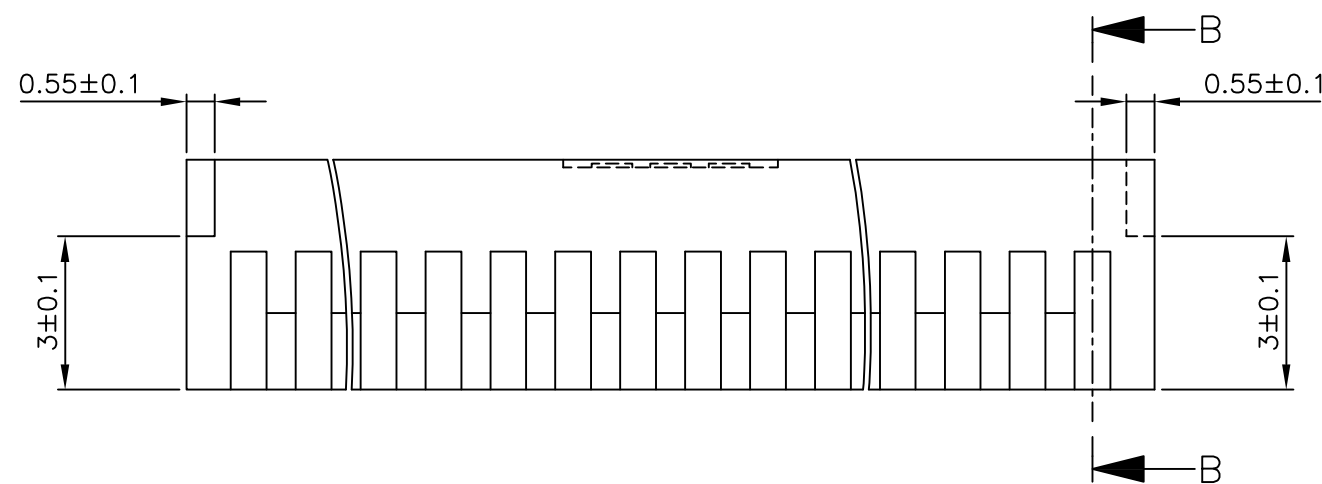
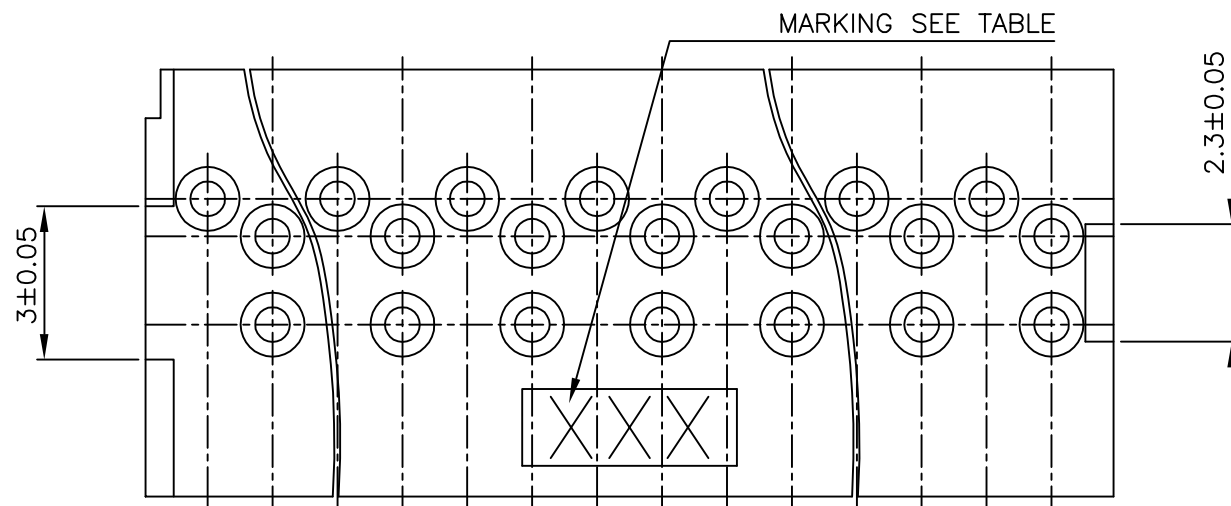
Tel: +86-755-8981 8866 Fax: +86-755-8427 6832

Email & Skype: info@chipsmall.com Web: www.chipsmall.com

Address: A1208, Overseas Decoration Building, #122 Zhenhua RD., Futian, Shenzhen, China

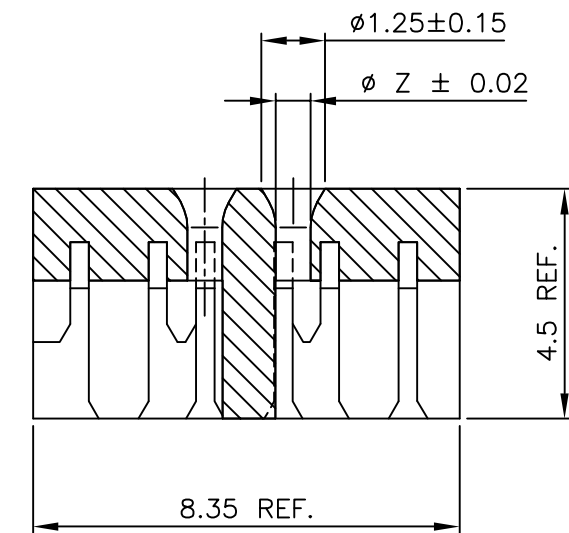


Product number	No. of Pos.	DIM Z	DIM W	MARKING X,XX
65132-001	3 x 7	0.68	18.94	0,68
65132-002	3 x 7	0.48	18.94	0,48
65132-011	3 x 3	0.68	8.78	0,68
65132-012	3 x 3	0.48	8.78	0,48



NOTES:-

1. THIS PRODUCT MEETS EUROPEAN UNION DIRECTIVES AND OTHER COUNTRY REGULATIONS AS DESCRIBED IN GS-22-008.
2. LEADFREE OR RoHS DIRECTIVE LABELLING TO BE PROVIDED AS PER GS-14-920.
3. "LF" SUFFIX TO PRODUCT NUMBER FOR RoHS COMPATIBLE/LEADFREE VERSION.
4. PARTS WITH AND WITHOUT "LF" SUFFIX ARE FORM-FIT AND FUNCTIONALLY IDENTICAL. "LF" SUFFIX PROVIDED FOR PART NUMBER STANDARDISATION OF PART THAT MEETS RoHS REQUIREMENTS.



SECTION B-B

MATERIAL: THERMOPLASTIC POLYESTER  
 COLOUR: GREY, 30% GLASS FILLED  
 FLAME RETARDANT UL-94-V0

mat'l. code		surface		tolerance		projection		product family	
SEE NOTE		ISO 1302		ISO 406 ISO 1101		mm		BACKPANEL	
ltr	ecn no	dr	date	tolerances unless otherwise specified		mm		title	
E	H20773	JVZ	1992-12-02	angles	linear	mm		PIERCE BLOCK	
F	H40711	RVI	1995-02-06			mm		3 ROW ROUND CABLE	
G	H50590	DDB	1995-10-12			scale -			
H	I05-0042	MINI	2005-03-17	dr	J.V.ZEIST	1992-12-02		dwg no	
J	I05-0248	MINI	2005-11-22	enrg	M.LOMAN	1994-11-07		sheet 1 of 1	
K	I06-0068	MINI	2006-06-01	chr	RAKHEE GEORGE	2006-06-01		size	
				appd	RAKHEE GEORGE	2006-06-01		A3	
sheet index		revision	K					type	
		sheet	1					Product Customer Drawing	