



Chipsmall Limited consists of a professional team with an average of over 10 year of expertise in the distribution of electronic components. Based in Hongkong, we have already established firm and mutual-benefit business relationships with customers from,Europe,America and south Asia,supplying obsolete and hard-to-find components to meet their specific needs.

With the principle of “Quality Parts,Customers Priority,Honest Operation,and Considerate Service”,our business mainly focus on the distribution of electronic components. Line cards we deal with include Microchip,ALPS,ROHM,Xilinx,Pulse,ON,Everlight and Freescale. Main products comprise IC,Modules,Potentiometer,IC Socket,Relay,Connector.Our parts cover such applications as commercial,industrial, and automotives areas.

We are looking forward to setting up business relationship with you and hope to provide you with the best service and solution. Let us make a better world for our industry!



## Contact us

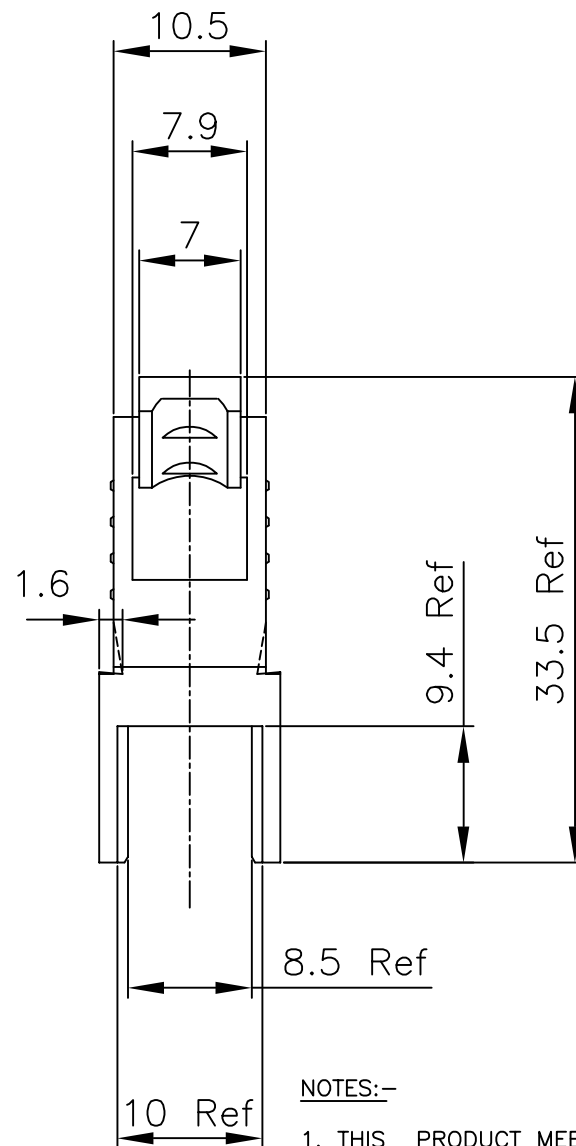
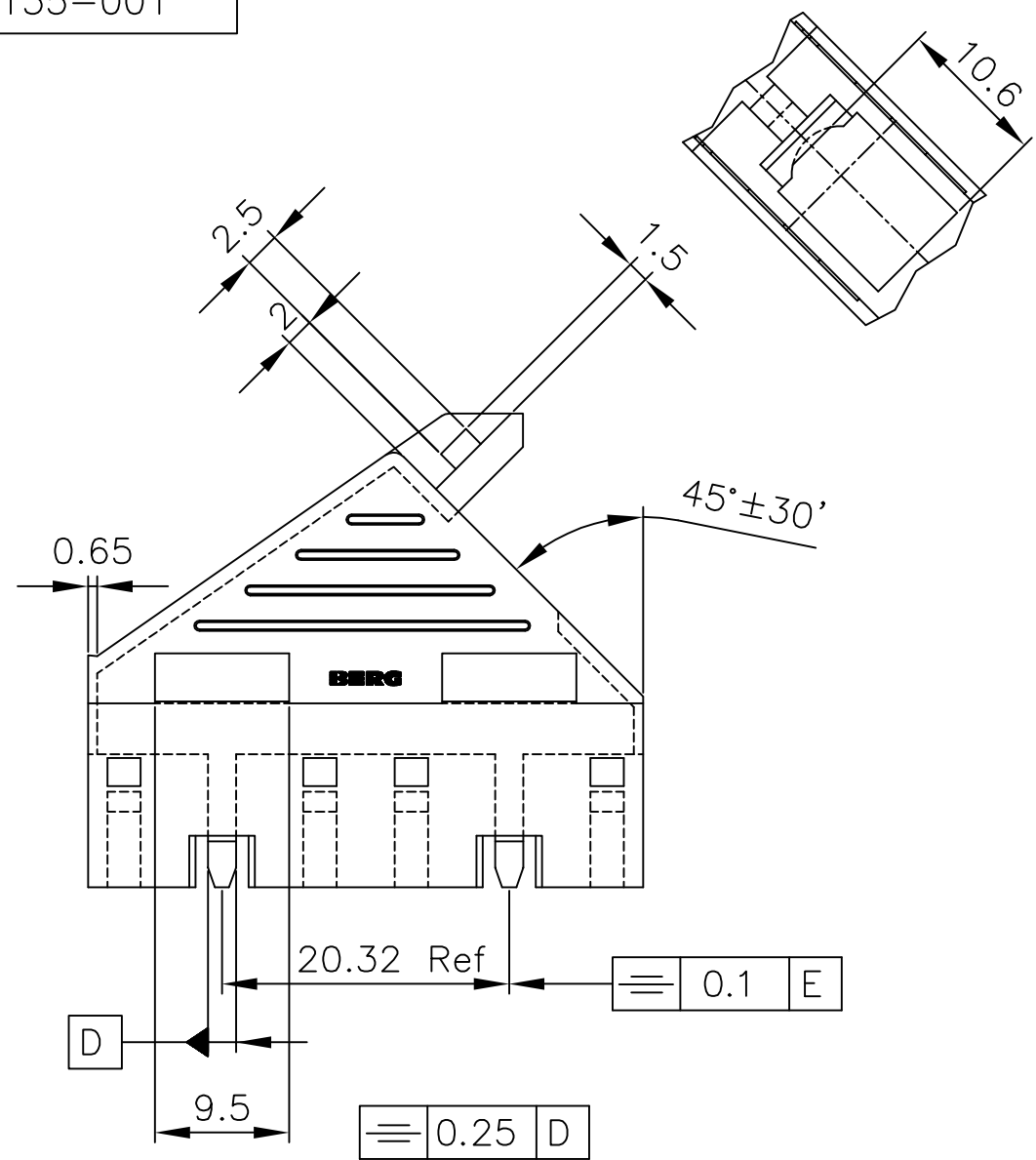
Tel: +86-755-8981 8866 Fax: +86-755-8427 6832

Email & Skype: info@chipsmall.com Web: www.chipsmall.com

Address: A1208, Overseas Decoration Building, #122 Zhenhua RD., Futian, Shenzhen, China

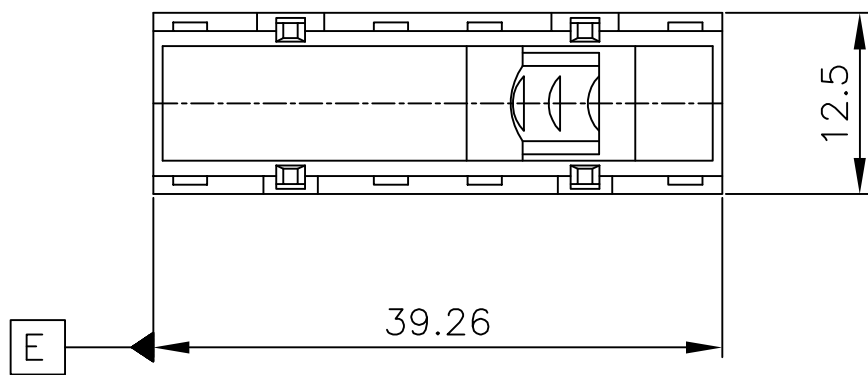


Product number  
65135-001



NOTES:-

1. THIS PRODUCT MEETS EUROPEAN UNION DIRECTIVES AND OTHER COUNTRY REGULATIONS AS DESCRIBED IN GS-22-008.
2. LEADFREE OR RoHS DIRECTIVE LABELLING TO BE PROVIDED AS PER GS-14-920.
3. " LF " SUFFIX TO PRODUCT NUMBER FOR RoHS COMPATIBLE/ LEADFREE VERSION.
4. PARTS WITH AND WITHOUT "LF " SUFFIX ARE FORM-FIT AND FUNCTIONALLY IDENTICAL. " LF " SUFFIX PROVIDED FOR PART NUMBER STANDARDISATION OF PART THAT MEETS RoHS REQUIREMENTS.
5. Material: Thermoplastic polyester, 30% Glassfilled .Colour: Black; UL-94-V0



mat'l. code		surface		tolerance		projection		product family		
See note		ISO 1302		ISO 406		ISO 1101		Backpanel		
ltr	ecn no	dr	date	tolerances unless otherwise specified		mm		title		
K	106-0068	MINI	2006-06-01	angles	linear	mm		2x3x7 pos..		
D	H40359	AO	1994-05-30			mm		COVER		
E	H40431	DDB	1994-07-05			scale -				
F	H40762	DDB	1994-11-28	dr	Oppers.A	1994-05-30	FCI		dwg no	
G	H40711	RVI	1995-02-06	engr	Loman.M	1994-05-30			sheet 1 of 1	
H	105-0042	MINI	2005-03-17	chr	Rakhee George	2006-06-01			size	
J	105-0248	MINI	2005-11-22	app	Rakhee George	2006-06-01			A3	
sheet index		revision	K							type
		sheet	1							CUSTOMER Drawing