



Chipsmall Limited consists of a professional team with an average of over 10 year of expertise in the distribution of electronic components. Based in Hongkong, we have already established firm and mutual-benefit business relationships with customers from,Europe,America and south Asia,supplying obsolete and hard-to-find components to meet their specific needs.

With the principle of “Quality Parts,Customers Priority,Honest Operation,and Considerate Service”,our business mainly focus on the distribution of electronic components. Line cards we deal with include Microchip,ALPS,ROHM,Xilinx,Pulse,ON,Everlight and Freescale. Main products comprise IC,Modules,Potentiometer,IC Socket,Relay,Connector.Our parts cover such applications as commercial,industrial, and automotives areas.

We are looking forward to setting up business relationship with you and hope to provide you with the best service and solution. Let us make a better world for our industry!



Contact us

Tel: +86-755-8981 8866 Fax: +86-755-8427 6832

Email & Skype: info@chipsmall.com Web: www.chipsmall.com

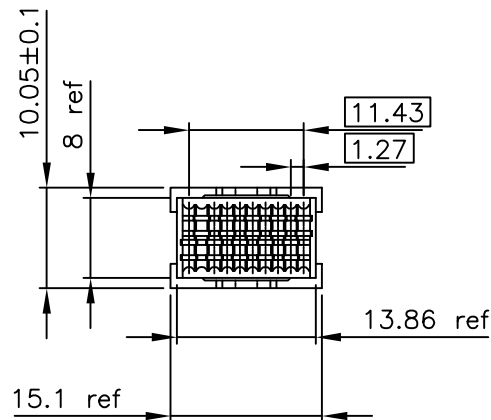
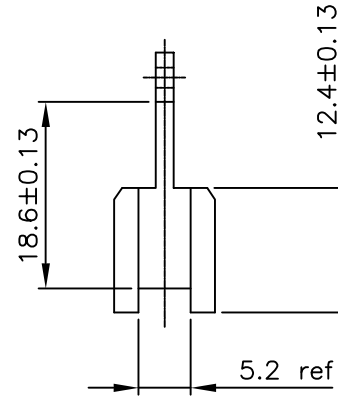
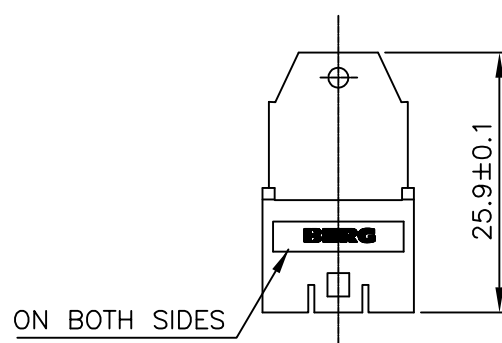
Address: A1208, Overseas Decoration Building, #122 Zhenhua RD., Futian, Shenzhen, China



PRODUCT NUMBER	Nø of POS	COLOUR
65147-001	2x5	BLACK

NOTES:-

1. THIS PRODUCT MEETS EUROPEAN UNION DIRECTIVES AND OTHER COUNTRY REGULATIONS AS DESCRIBED IN GS-22-008.
2. LEADFREE OR RoHS DIRECTIVE LABELLING TO BE PROVIDED AS PER GS-14-920.
3. " LF " SUFFIX TO PRODUCT NUMBER FOR RoHS COMPATIBLE/ LEADFREE VERSION.
4. PARTS WITH AND WITHOUT "LF " SUFFIX ARE FORM-FIT AND FUNCTIONALLY IDENTICAL. " LF " SUFFIX PROVIDED FOR PART NUMBER STANDARDISATION OF PART THAT MEETS RoHS REQUIREMENTS.



MATERIAL: THERMOPLASTIC POLYESTER 30% GLASS FILLED
FLAME RETARDANT PER UL-94-V0

mat'l. code		surface		tolerance		projection		product family	
see note		ISO 1302		ISO 406		ISO 1101		Backpanel	
ltr	ecn no	dr	date	tolerances unless otherwise specified				title	
C	H30656	MVI	1993-09-28	angles				PIERCE COVER	
D	105-0248	MINI	2005-11-22	linear				FLATCABLE Female 2R	
E	106-0068	KR	2006-06-01	scale 2:1				dwg no	
				dr		M. Visschers		1993-09-28	
				engr		M. Loman		1993-09-28	
				chr		RAKHEE GEORGE		2006-06-01	
				app		RAKHEE GEORGE		2006-06-01	
sheet		revision		E				type	
index		sheet		1				CUSTOMER Drawing	



FCIconnect.com

Copyright FCI