



Chipsmall Limited consists of a professional team with an average of over 10 year of expertise in the distribution of electronic components. Based in Hongkong, we have already established firm and mutual-benefit business relationships with customers from,Europe,America and south Asia,supplying obsolete and hard-to-find components to meet their specific needs.

With the principle of “Quality Parts,Customers Priority,Honest Operation,and Considerate Service”,our business mainly focus on the distribution of electronic components. Line cards we deal with include Microchip,ALPS,ROHM,Xilinx,Pulse,ON,Everlight and Freescale. Main products comprise IC,Modules,Potentiometer,IC Socket,Relay,Connector.Our parts cover such applications as commercial,industrial, and automotives areas.

We are looking forward to setting up business relationship with you and hope to provide you with the best service and solution. Let us make a better world for our industry!



## Contact us

Tel: +86-755-8981 8866 Fax: +86-755-8427 6832

Email & Skype: info@chipsmall.com Web: www.chipsmall.com

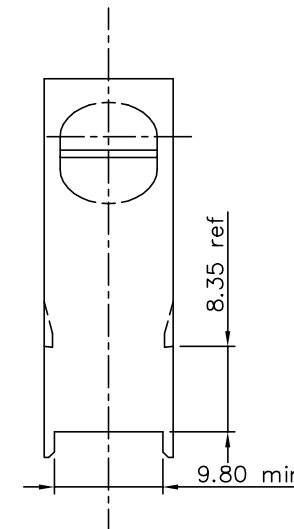
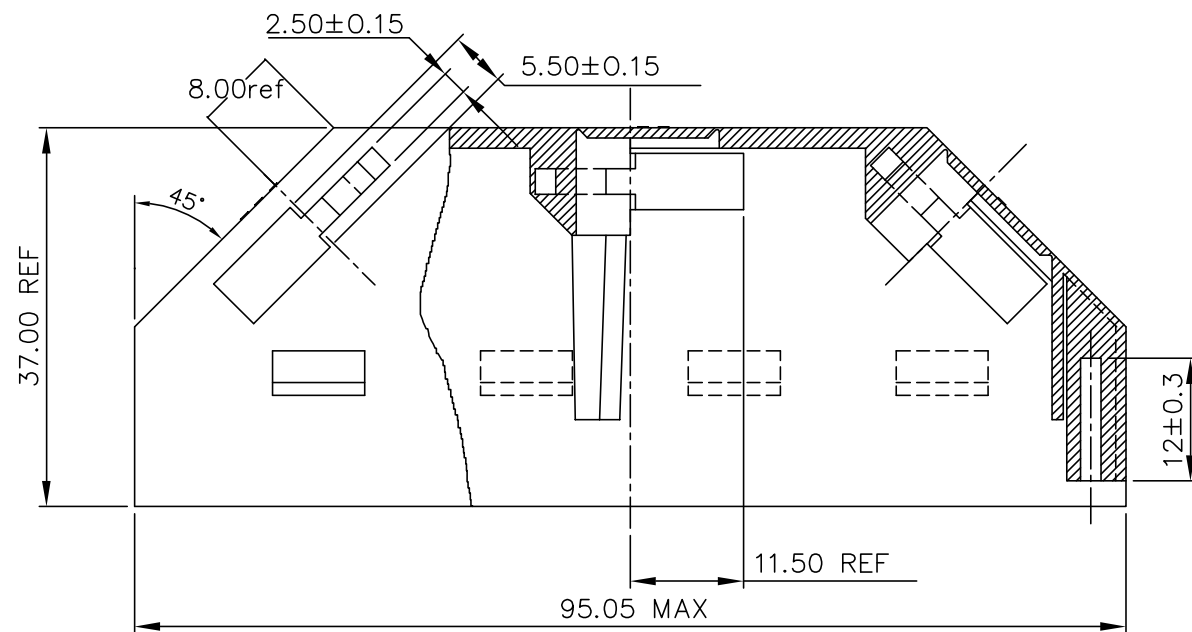
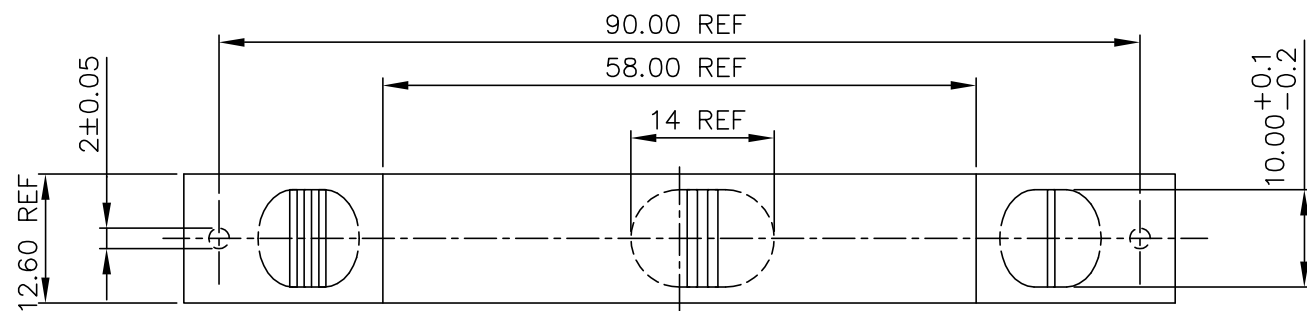
Address: A1208, Overseas Decoration Building, #122 Zhenhua RD., Futian, Shenzhen, China



PRODUCT NUMBER	MATERIAL	COLOUR	FLAME RETARDANT
65155-001	PPO	BLACK RAL 9005	UL-94-V1
65155-002	PPO	GREY RAL 7035	UL-94-V1

NOTES:-

1. THIS PRODUCT MEETS EUROPEAN UNION DIRECTIVES AND OTHER COUNTRY REGULATIONS AS DESCRIBED IN GS-22-008.
2. LEADFREE OR RoHS DIRECTIVE LABELLING TO BE PROVIDED AS PER GS-14-920.
3. " LF " SUFFIX TO PRODUCT NUMBER FOR RoHS COMPATIBLE/ LEADFREE VERSION.
4. PARTS WITH AND WITHOUT "LF " SUFFIX ARE FORM-FIT AND FUNCTIONALLY IDENTICAL. " LF " SUFFIX PROVIDED FOR PART NUMBER STANDARDISATION OF PART THAT MEETS RoHS REQUIREMENTS.
5. THE THREE CABLE ENTRIES ARE IDENTICAL



mat'l. code		surface		tolerance		projection		product family	
SEE TABLE		ISO 1302		ISO 406		ISO 101		COVER UNIVERSAL	
ltr	ecn no	dr	date	tolerances unless otherwise specified		mm		title	
H	H00418	MVI	1990-09-07	angles		linear		65155	
J	H80467	LGI	1998-07-23	linear		scale		sheet 1 of 1	
K	05-0248	MINI	2005-11-22	linear		scale		size	
L	06-0068	MINI	2006-06-01	engr		M Visschers		1990-09-03	
M	110-0111	KR	2010-05-12	chr		M Loman		1990-09-07	
				appd		Kesavan.R		2010-05-12	
				appd		Kesavan.R		2010-05-12	
sheet index	revision sheet	M	1					type	
								CUSTOMER Drawing	

FCJ  
FCconnect.com

Copyright FCJ