



Chipsmall Limited consists of a professional team with an average of over 10 year of expertise in the distribution of electronic components. Based in Hongkong, we have already established firm and mutual-benefit business relationships with customers from,Europe,America and south Asia,supplying obsolete and hard-to-find components to meet their specific needs.

With the principle of “Quality Parts,Customers Priority,Honest Operation,and Considerate Service”,our business mainly focus on the distribution of electronic components. Line cards we deal with include Microchip,ALPS,ROHM,Xilinx,Pulse,ON,Everlight and Freescale. Main products comprise IC,Modules,Potentiometer,IC Socket,Relay,Connector.Our parts cover such applications as commercial,industrial, and automotives areas.

We are looking forward to setting up business relationship with you and hope to provide you with the best service and solution. Let us make a better world for our industry!



## Contact us

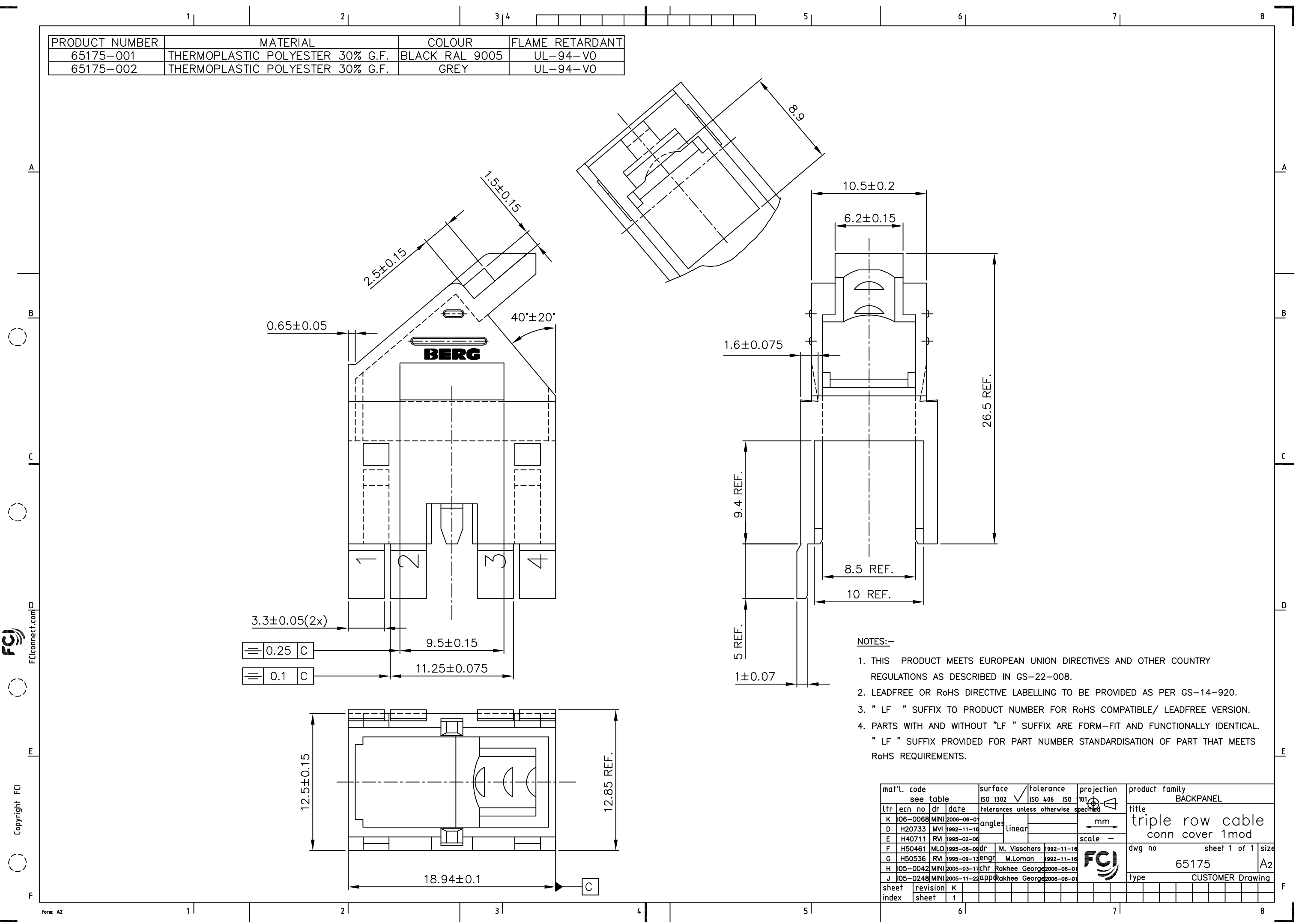
Tel: +86-755-8981 8866 Fax: +86-755-8427 6832

Email & Skype: info@chipsmall.com Web: www.chipsmall.com

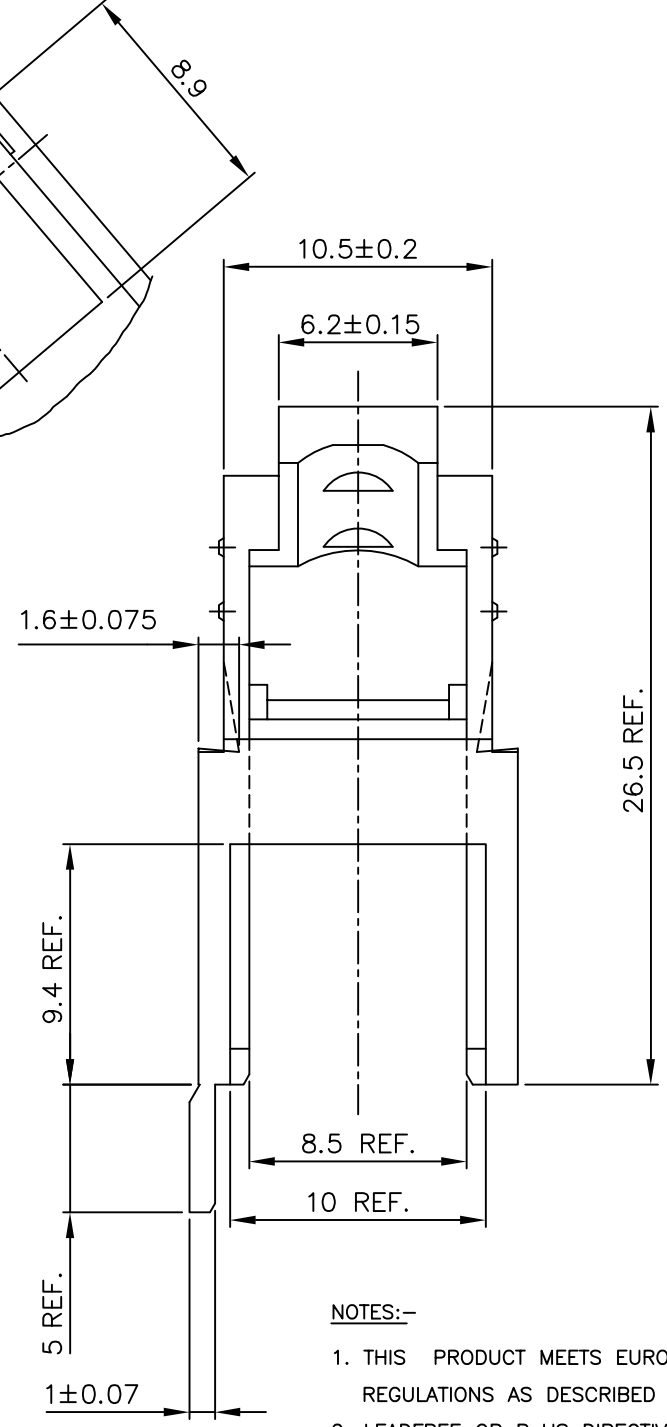
Address: A1208, Overseas Decoration Building, #122 Zhenhua RD., Futian, Shenzhen, China



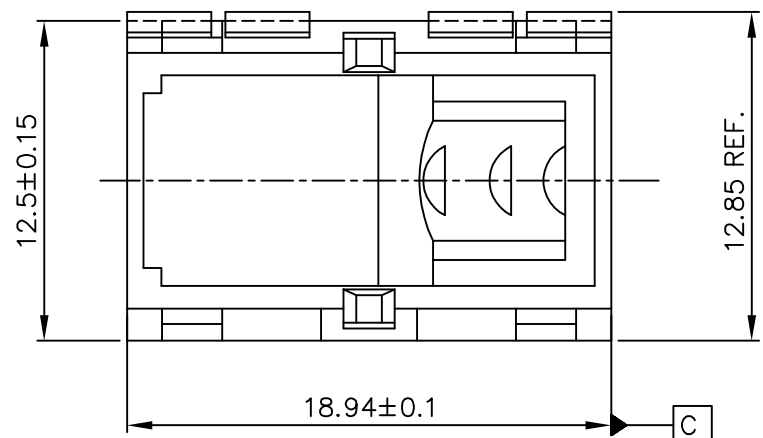
PRODUCT NUMBER	MATERIAL	COLOUR	FLAME RETARDANT
65175-001	THERMOPLASTIC POLYESTER 30% G.F.	BLACK RAL 9005	UL-94-V0
65175-002	THERMOPLASTIC POLYESTER 30% G.F.	GREY	UL-94-V0



Copyright FCJ



- NOTES:-**
1. THIS PRODUCT MEETS EUROPEAN UNION DIRECTIVES AND OTHER COUNTRY REGULATIONS AS DESCRIBED IN GS-22-008.
  2. LEADFREE OR RoHS DIRECTIVE LABELLING TO BE PROVIDED AS PER GS-14-920.
  3. " LF " SUFFIX TO PRODUCT NUMBER FOR RoHS COMPATIBLE/ LEADFREE VERSION.
  4. PARTS WITH AND WITHOUT "LF " SUFFIX ARE FORM-FIT AND FUNCTIONALLY IDENTICAL. " LF " SUFFIX PROVIDED FOR PART NUMBER STANDARDISATION OF PART THAT MEETS RoHS REQUIREMENTS.



mat'l. code see table		surface ISO 1302	tolerance ISO 406	ISO 101	projection 101	product family BACKPANEL	
ltr	ecn no	dr	date	tolerances unless otherwise specified	angles	linear	title triple row cable conn cover 1mod
K	06-0068	MINI	2006-06-01				dwg no 65175
D	H20733	MVI	1992-11-16				sheet 1 of 1 size A2
E	H40711	RVI	1995-02-06				type CUSTOMER Drawing
F	H50461	MLO	1995-08-09	dr	M. Visschers	1992-11-16	
G	H50536	RVI	1995-09-13	engr	M.Loman	1992-11-16	
H	05-0042	MINI	2005-03-17	chr	Rakhee George	2006-06-01	
J	05-0248	MINI	2005-11-22	app	Rakhee George	2006-06-01	
sheet index	revision	K	1				