



Chipsmall Limited consists of a professional team with an average of over 10 year of expertise in the distribution of electronic components. Based in Hongkong, we have already established firm and mutual-benefit business relationships with customers from,Europe,America and south Asia,supplying obsolete and hard-to-find components to meet their specific needs.

With the principle of “Quality Parts,Customers Priority,Honest Operation,and Considerate Service”,our business mainly focus on the distribution of electronic components. Line cards we deal with include Microchip,ALPS,ROHM,Xilinx,Pulse,ON,Everlight and Freescale. Main products comprise IC,Modules,Potentiometer,IC Socket,Relay,Connector.Our parts cover such applications as commercial,industrial, and automotives areas.

We are looking forward to setting up business relationship with you and hope to provide you with the best service and solution. Let us make a better world for our industry!



Contact us

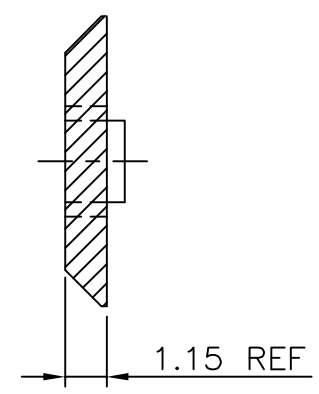
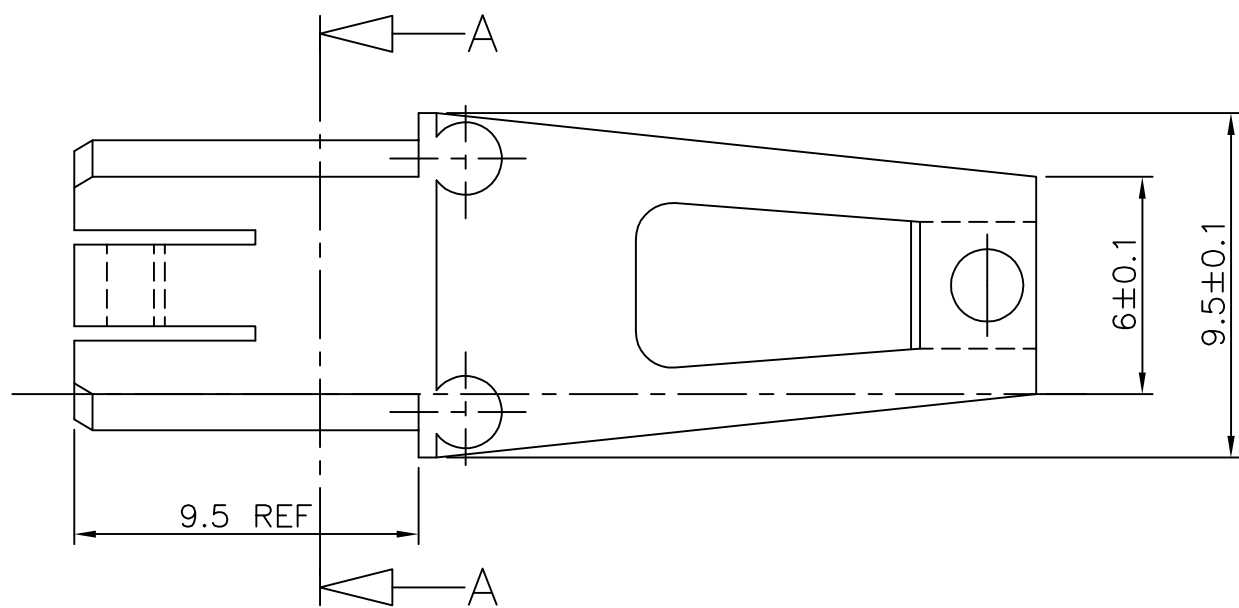
Tel: +86-755-8981 8866 Fax: +86-755-8427 6832

Email & Skype: info@chipsmall.com Web: www.chipsmall.com

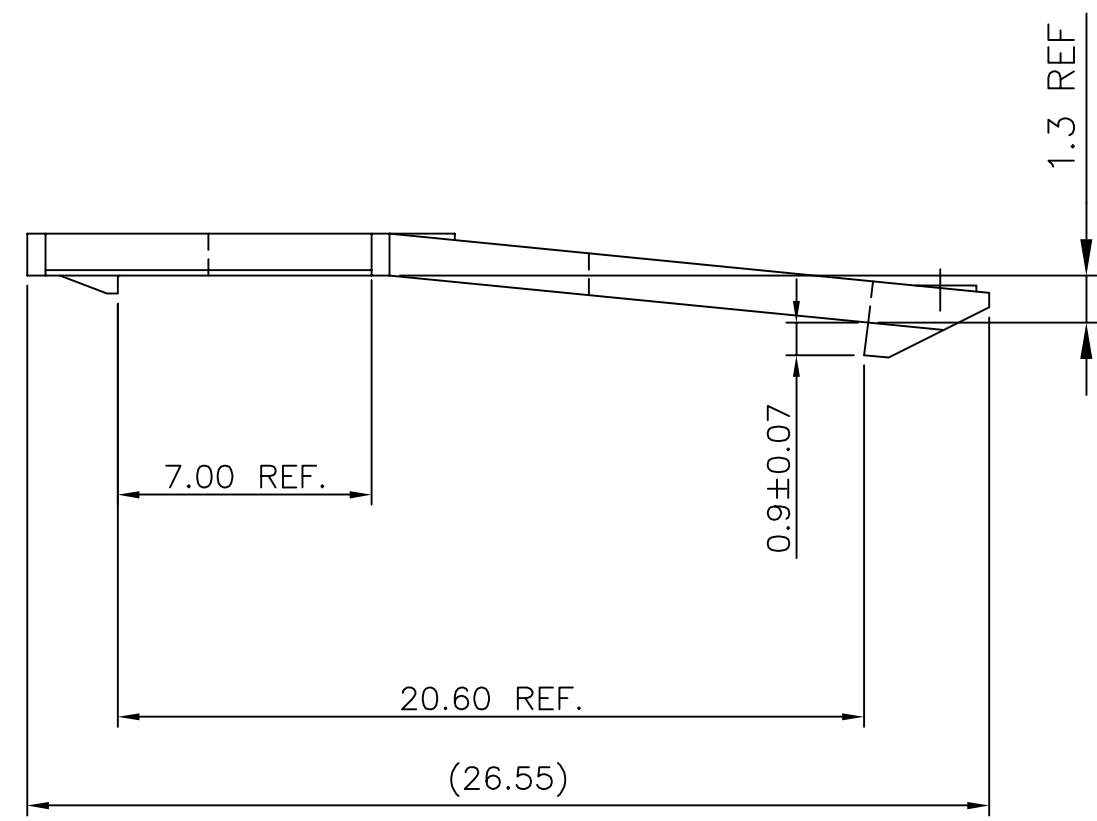
Address: A1208, Overseas Decoration Building, #122 Zhenhua RD., Futian, Shenzhen, China



PRODUCT NUMBER	MATERIAL	COLOR	FLAME RETARDANT
65182-001	THERMOPLASTIC POLYESTER, 30% G.F.	GREY	UL-94-V0



SECTION A-A



NOTES:-

1. THIS PRODUCT MEETS EUROPEAN UNION DIRECTIVES AND OTHER COUNTRY REGULATIONS AS DESCRIBED IN GS-22-008.
2. LEADFREE OR RoHS DIRECTIVE LABELLING TO BE PROVIDED AS PER GS-14-920.
3. " LF " SUFFIX TO PRODUCT NUMBER FOR RoHS COMPATIBLE/ LEADFREE VERSION.
4. PARTS WITH AND WITHOUT "LF " SUFFIX ARE FORM-FIT AND FUNCTIONALLY IDENTICAL. " LF " SUFFIX PROVIDED FOR PART NUMBER STANDARDISATION OF PART THAT MEETS RoHS REQUIREMENTS.

mat'l. code		surface		tolerance		projection		product family	
see table		ISO 1302		ISO 406		ISO 1101		title	
ltr	ecn no	dr	date	tolerances unless otherwise specified		mm		LOCKING LATCH	
D	H00418	MVI	1990-09-07	angles	linear	mm		sheet 1 of 1	
E	H20708	MVI	1992-11-03			scale -		size	
F	F10129	VIB	2001-02-05					A3	
G	I05-0042	MINI	2005-03-17	dr	M.Visschers	1990-08-31		dwg no	
H	I05-0248	MINI	2005-11-22	engr				65182	
J	I06-0086	MINI	2006-06-01	chr	Rakhee George	2006-06-01		type	
				appd	Rakhee George	2006-06-01		CUSTOMER Drawing	
sheet index	revision sheet	J	1						



Copyright FCI